



STAINLESS STEEL PANS

MODELS

KFM-GL-(40, 60, 80)-S

CURVED GLASS GELATO CASE

LOW TEMPERATURE • FORCED AIR REFRIGERATION • LIFT UP TEMPERED FRONT GLASS
12, 16, AND 22 PAN CONFIGURATIONS • CASES CAN BE MULTIPLEXED



AUTODESK®
REVIT®

SELF CONTAINED	Model	O.A. Length (inches)	Electrical 115 Volts				Defrost Amp	Weight lbs
			Compressor		LIGHTS Fans HTRS	Total Amps		
			Case Temp	F.L.A				
	KFM-GL-40-S	40.4	-4 / -7 °F	10.0	0.26	10.3	22.9	661
	KFM-GL-60-S	58.2	-4 / -7 °F	(2) 10.0	0.49	20.5	26.4	860
	KFM-GL-80-S	77.5	-4 / -7 °F	(2) 10.0	0.53	20.5	26.4	992

STANDARD FEATURES

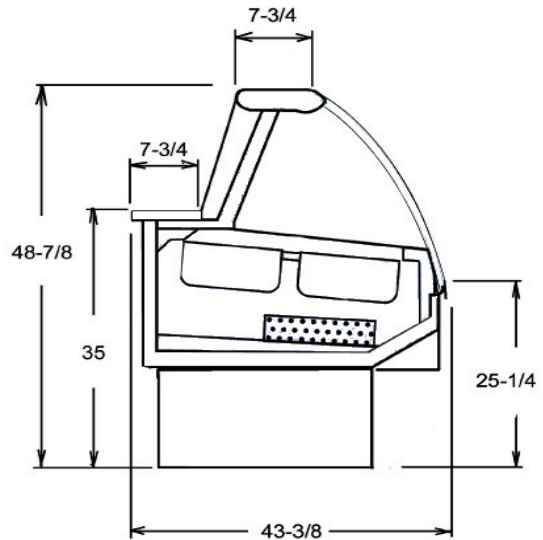
- Tempered side glass
- CFC free injected foam insulation
- Silver colored PVC coated steel front panel
- PVC coated steel gray interior
- Black steel kick plate
- All trim and glass supports-aluminum
- Stainless steel pans
- Lift up tempered front glass
- Thermopane end glass
- Stainless steel work bench
- Removable rear plexiglass sliding doors
- Temperature and defrost regulated by a digital controller
- Levelling feet

OPTIONAL FEATURES

- Stainless steel interior exterior
- Other colors available

PAN CONFIGURATIONS

- (10) Pans 14-1/8" long x 6-1/2" wide x 6" deep KFM-GL-40-S
- (16) Pans 14-1/8" long x 6-1/2" wide x 6" deep KFM-GL-60-S
- (22) Pans 14-1/8" long x 6-1/2" wide x 6" deep KFM-GL-80-S



Standard Mounting



Levelling Feet

Optional Mounting



Adjustable Legs

Casters

WARRANTY

One year parts and labor with an additional four years on the compressor (part only)

NOTE

These cases are engineered to operate in locations not exceeding 75°F and 55% R.H. These cases are designed to operate using R404a refrigerant. Ventilation grills at front and back cannot be blocked.



Tel: 786.600.4687 / Toll Free: 844.218.8477

Fax: 786.661.4100



Tel: 514.737.9701 / Toll Free: 888.275.4538

Fax: 514.342.3854 / toll free: 877.453.8832

sales@mvpgroupcorp.com / mvpgroupcorp.com