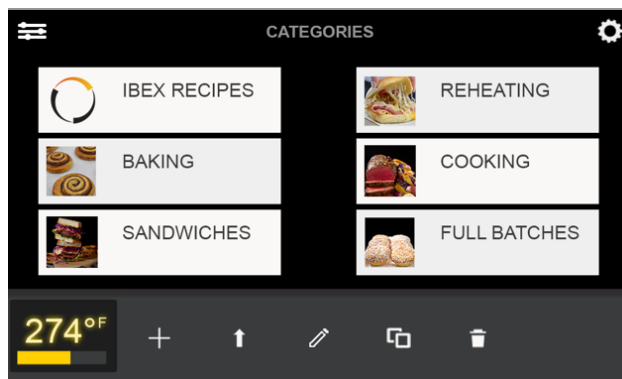


The **IBEX** oven is a revolution in digital cooking that delivers high-quality food more quickly than you ever thought possible. The future of cooking is digital. The future is **IBEX**.



FEATURES

- **Patented Solid State Radio Frequency**
Precision heating technology with unparalleled speed, lifespan, and reliability
- **Closed-Loop Heat Intelligence™**
Real-time, adaptive heat-sensing system that provides ultra precise and repeatable RF-cooking guidance
- **True-Signature Cooking™**
Heating algorithms designed for custom menus and common kitchen operations
- **Anywhere Ventless™ Technology**
Certified-ventless cooking capability with catalytic converter for UL710B (KNLZ) operation
- **2-Tap Start**
Intuitive, full-color 7-inch capacitive touch interface designed for ease of use, operational speed and capability to store up to 600 recipes
- **Easy-Connect™**
Ability to program, upload or transfer recipes and unique cooking functions via USB port to expand menu offerings
- **Two-level Full Batch Capacity**
For cooking large batches or multiple dishes simultaneously
- **IN and OUT Cooking**
No time wasted waiting for one dish to finish before starting the next
- Accommodates industry-standard cooking trays
 - › Metallic US 1/2-sheet
 - › High-temp plastic and silicon cookware
 - › Ceramic cookware
- 8-lb cooking tray capacity per level

CONSTRUCTION

- Patented convection perforation design
- 304 stainless steel insulated cooking chamber
- Corrosion-resistant stainless steel exterior walls
- Ergonomic handle with cool-touch exterior design
- FDA-approved black powder coat finish

OPTIONS & ACCESSORIES

- Mobile workstation cart
- Stacking cart

WARRANTY

- 12 months parts and labor limited warranty – conditions apply

USER BENEFITS

- Full-batch browning consistency
- Edge-to-edge uniform doneness
- On-demand cooking
- Rapid rethermalization
- One-step baking
- One-touch recipe repeatability



OPERATIONAL BENEFITS

- Increased food quality leading to customer retention
- Reduced overall cook times
- Unlimited menu expansion capability
- Higher yield leading to lowered food costs
- Reduced forecasting and waste
- Reduced operator dependency
- Enables rapid response to changes in business volume

DIMENSIONS

Height	26.7"	678 mm
Width	32.2"	818 mm
Depth (w/o handle)	28.8"	732 mm
Depth	30.5"	775 mm
Weight	235 lb	107 kg
Cook Chamber		
Height	9.8"	250 mm
Width	22.0"	559.4 mm
Depth	14.6"	371.3 mm
Cooking Trays — U.S. 1/2 Sheet		
Width	13.0"	330.2 mm
Depth	18.0"	457.2 mm
Wall Clearance		
Rear	2"	51 mm
Side	2"	51 mm
Height	12"	305 mm

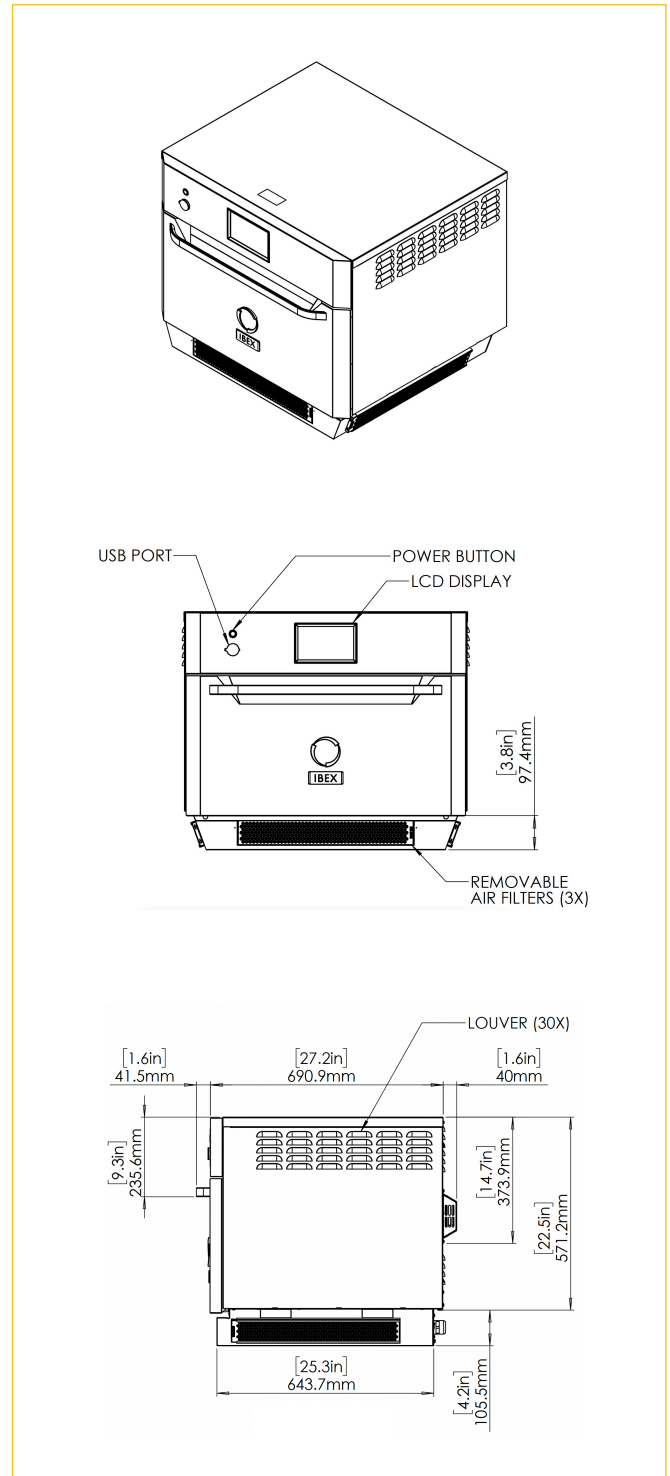
INPUT VOLTAGE SPECIFICATIONS

Plug Type: NEMA 6-50P					
					
# of Phases	Frequency	Voltage	Amps	Circuit Breaker	Watts
1	60 Hz	240 VAC	24 A	50 A	6000 W
		208 VAC	24 A		6000 W
Plug Type: NEMA 15-30P					
					
# of Phases	Frequency	Voltage	Amps	Circuit Breaker	Watts
3	60 Hz	240 VAC	24 A	30 A	6000 W
		208 VAC	24 A		6000 W

IBEX OVEN PRODUCT NUMBERS

Product Number	Electrical Configuration
IBEX1AV1PBB	208V, 1 Phase
IBEX1AV3PBB	208V, 3 Phase
IBEX1BV1PBB	240V, 1 Phase
IBEX1BV3PBB	240V, 3 Phase

DETAILS



SHIPPING INFORMATION

- All ovens are packaged in a wooden crate and banded to a wooden skid
- Box size: 35" L x 36" W x 27" H
- Approximate box weight: Total 285 lb (50 lb crate + 235 lb IBEX Oven)



Gain maximum operational efficiency from your **IBEX** commercial oven. Whether you choose the workstation cart or the stackable cart, you'll get smart and convenient production hubs to maximize output from a small footprint. Constructed of stainless steel for strength and corrosion resistance, both carts are easily movable anywhere with 360° swivel wheels and ergonomic, brushed aluminum handles.

STACKABLE CART

IBEXASK1



WORKSTATION CART

IBEXAPSKIT1 + IBEXAWS1



DIMENSIONS

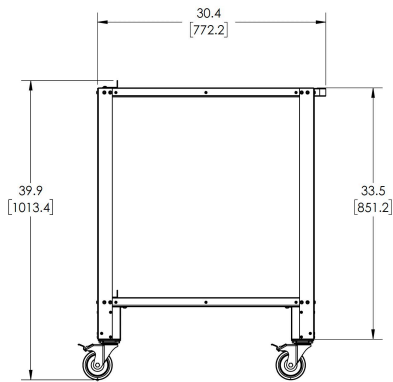
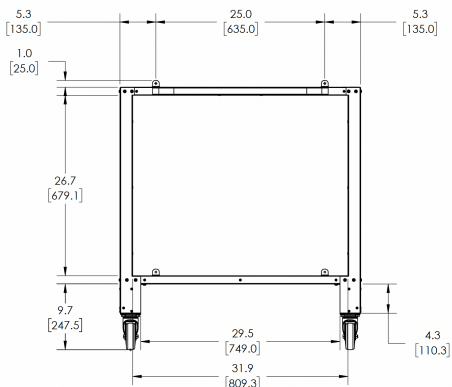
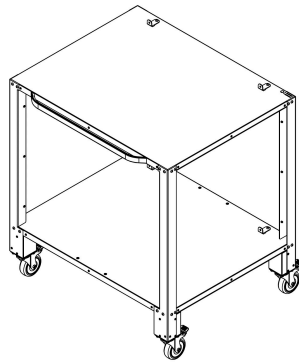
Height (w/o mtg brackets)	38.9"	988 mm
Height	39.9"	1013 mm
Width	35.6"	904 mm
Depth (w/o handle)	28.9"	734 mm
Depth	30.4"	772 mm
Weight	77.5 lb	35 kg
Bottom Shelf		
Height	26.7"	678 mm
Width	31.9"	810 mm
Depth	28.7"	729 mm
Wall Clearance		
Rear	2"	51 mm

DIMENSIONS

Height (w/o mounting brackets)	34.6"	878 mm
Height	35.6"	904 mm
Width	35.6"	904 mm
Depth (w/o handle)	28.9"	734 mm
Depth	30.4"	772 mm
Weight	117 lb	53 kg
Pan Storage (left and right)		
Height	3.5"	89 mm
Width	13.1"	333 mm
Depth	25.5"	648 mm
Accessory Storage (center)		
Height (top)	11.9"	302 mm
Height (bottom)	14.7"	373 mm
Width	13.1"	333 mm
Depth	25.5"	648 mm
Wall Clearance		
Rear	2"	51 mm

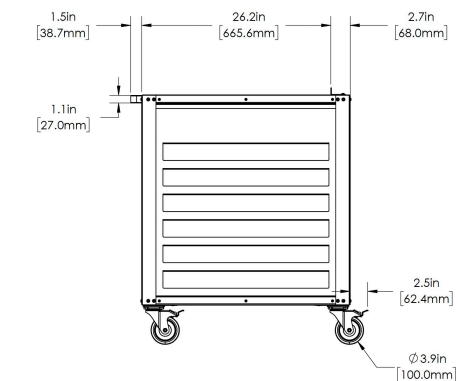
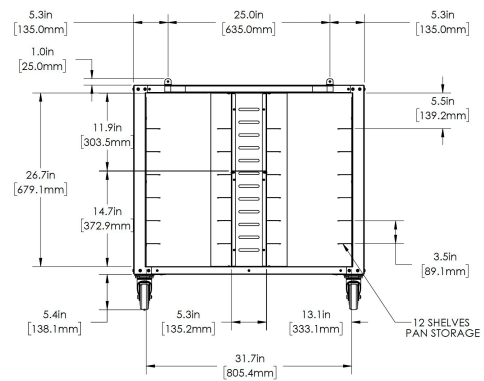
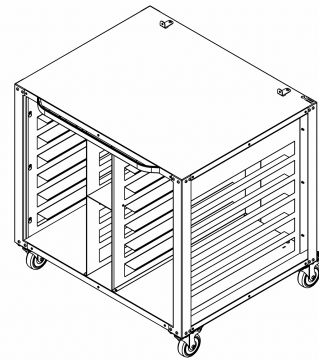
DETAILS

STACKABLE CART — IBEXASK1



DETAILS

WORKSTATION CART — IBEXAPSKIT1 + IBEXAWS1



FEATURES

- Accommodates 2 IBEX Ovens, vertically oriented

SHIPPING INFORMATION

- Cart parts packaged in one cardboard box
- Cardboard box size: 36" L x 30" W x 10" H
- Approximate boxed weight: Total 82.5 lbs (5-lb boxes + 77.5-lb IBEX Cart)

FEATURES

- Accommodates 1 IBEX Oven + tray storage for production
- 12 shelf pan storage + 2 accessory storage compartments
- Removable shelves for cleaning and operational flexibility

SHIPPING INFORMATION

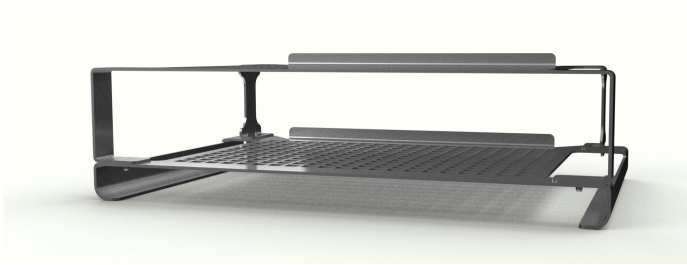
- Cart parts packaged in two cardboard boxes
- Cardboard box sizes: 36" L x 30" W x 10" H, 30" L x 30" W x 7" H
- Approximate boxed weight: Total 127 lbs (10-lb boxes + 117-lb IBEX Cart)





2-LEVEL COOKING PLATFORM

IBEXATR1



DIMENSIONS

2-Level Cooking Platform		
Height	6.3"	160 mm
Height (lower shelf only)	1.6"	41 mm
Width	21.8"	554 mm
Depth	13.3"	338 mm
Thickness	0.118"	3 mm
Weight (w/packaging)	2.6 lb	1.2 kg

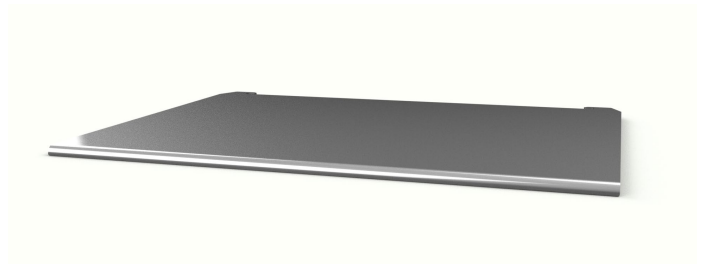
FEATURES

- Enables double tray-capacity, rapid production/output
- Accommodates up to half-size sheet pans
- Removable/detachable shelves for easy cleaning
- Perforated for high-capacity airflow and uniform, rapid browning
- Material: 304 stainless steel



GRIDDLE PLATE

IBEXAPL1



DIMENSIONS

Width	12.7"	322 mm
Depth	16.7"	424 mm
Thickness	0.118"	3 mm
Weight (w/packaging)	2.6 lb	1.2 kg

FEATURES

- Provides a rapid-recovery, hot surface for direct food placement and individual portion reheating
- Rear snap-on mount for stability
- Material: Anodized Aluminum

SPEED PEEL

IBEXASP1



DIMENSIONS

Weight (w/packaging)	1.1 lb	0.5 kg
----------------------	--------	--------

FEATURES

- Easily place and remove individual portions of food in your IBEX oven
 - › Designed for speed and precision in dynamic kitchens
 - › Ergonomic composite handle
 - › Durable 20 gauge, 7" stainless steel blade