

RANCH

SERIES GRILLS



HOORAY
GRILL CO.

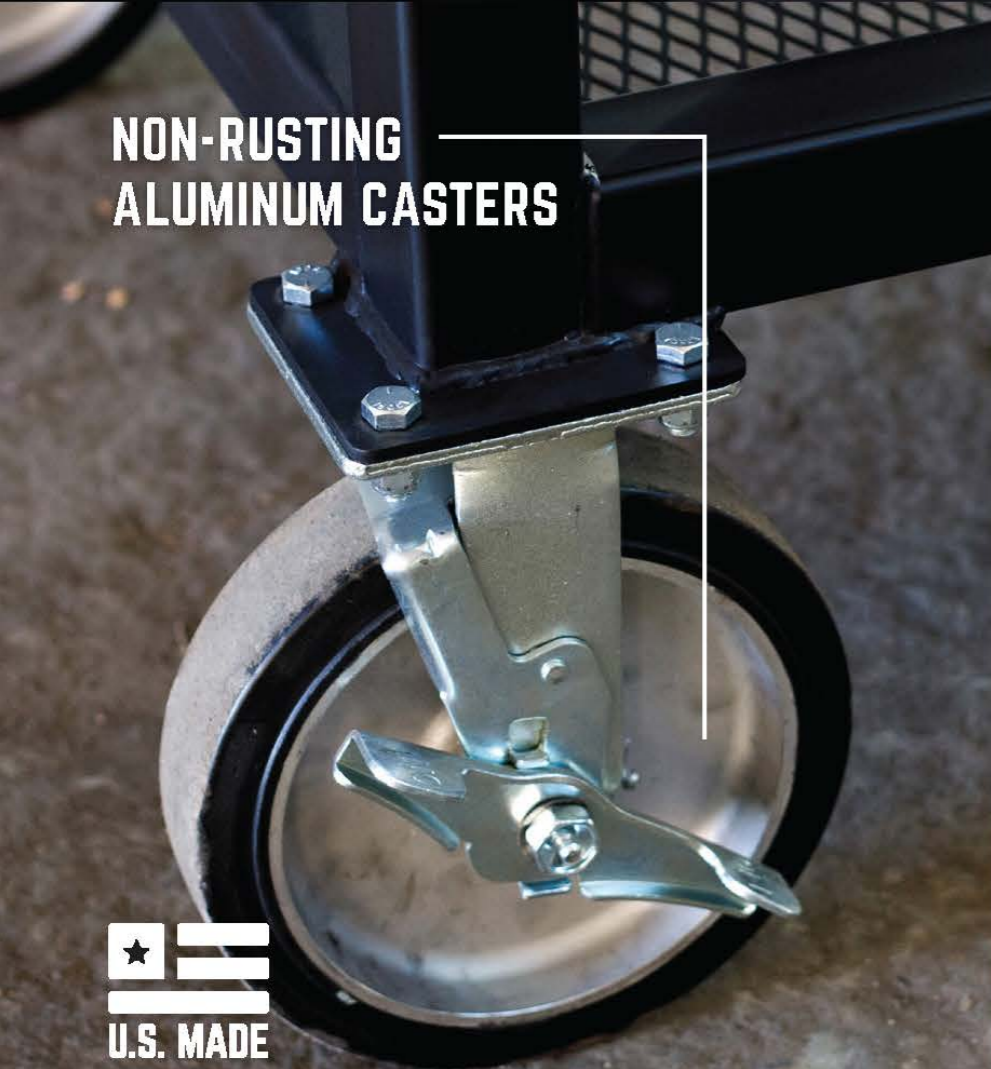
For Outdoor Use Only



**SINGLE-HANDED
GEAR SYSTEM GRATE ADJUSTMENT**



**4-PRONG, HEAVY-DUTY
ROTISSERIE KIT**



**NON-RUSTING
ALUMINUM CASTERS**



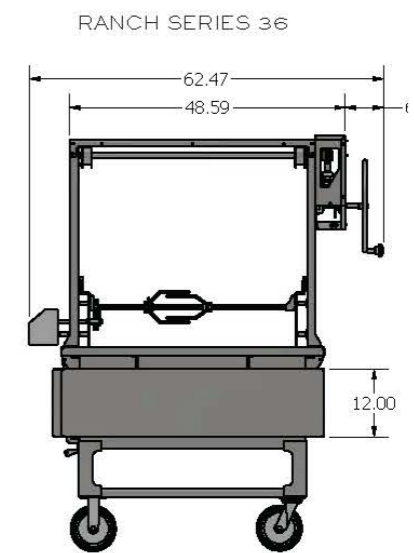
HOORAY FOR THE LAST GRILL YOU'LL EVER BUY.

With more features and cooking space, the **Ranch Series** takes Santa Maria style to the next level for large gatherings. Each grill comes with three fold-down tables and an optional rotisserie unit that can hoist up to 80 pounds of your favorite meat over the open flame. The Ranch Series 36 and Ranch Series 48 are also available as built-in grills for outdoor kitchens.

RANCH SERIES **36**

SPECIFICATIONS

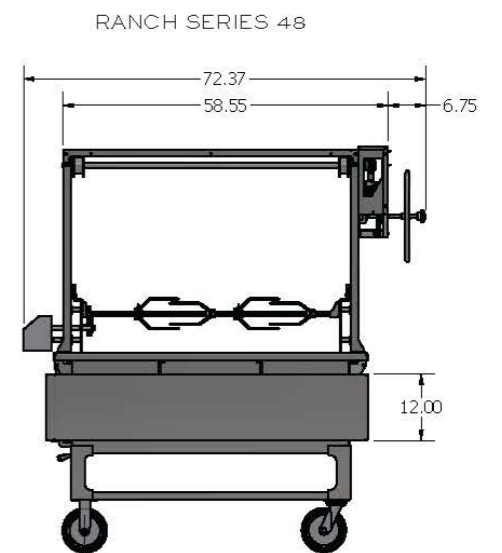
DIMENSIONS: 35" X 47" X 74"
GRILLING SURFACE: 21" X 33.5"
WEIGHT: 490 LB



RANCH SERIES **48**

SPECIFICATIONS

DIMENSIONS: 35" X 67" X 74"
GRILLING SURFACE: 21" X 45.75"
WEIGHT: 595 LB



RANCH SERIES **60**

SPECIFICATIONS

DIMENSIONS: 41" X 77" X 74"
GRILLING SURFACE: 26.5" X 57.75"
WEIGHT: 700 LB

STANDARD FEATURES

- Three 3/8" stainless steel grill grates
- Three large folding tables
- Easily removable stainless steel rotisserie kit
- 1" stainless steel crank shaft
- Stainless steel height-adjustment cables
- High heat-rated industrial coating
- 3/16" heat baffles keep heat right where you want it
- 10-gage metal wood shelf
- Commercial-grade 8" aluminum casters



**HOORAY
GRILL CO.**