

LODGE

SERIES GRILLS



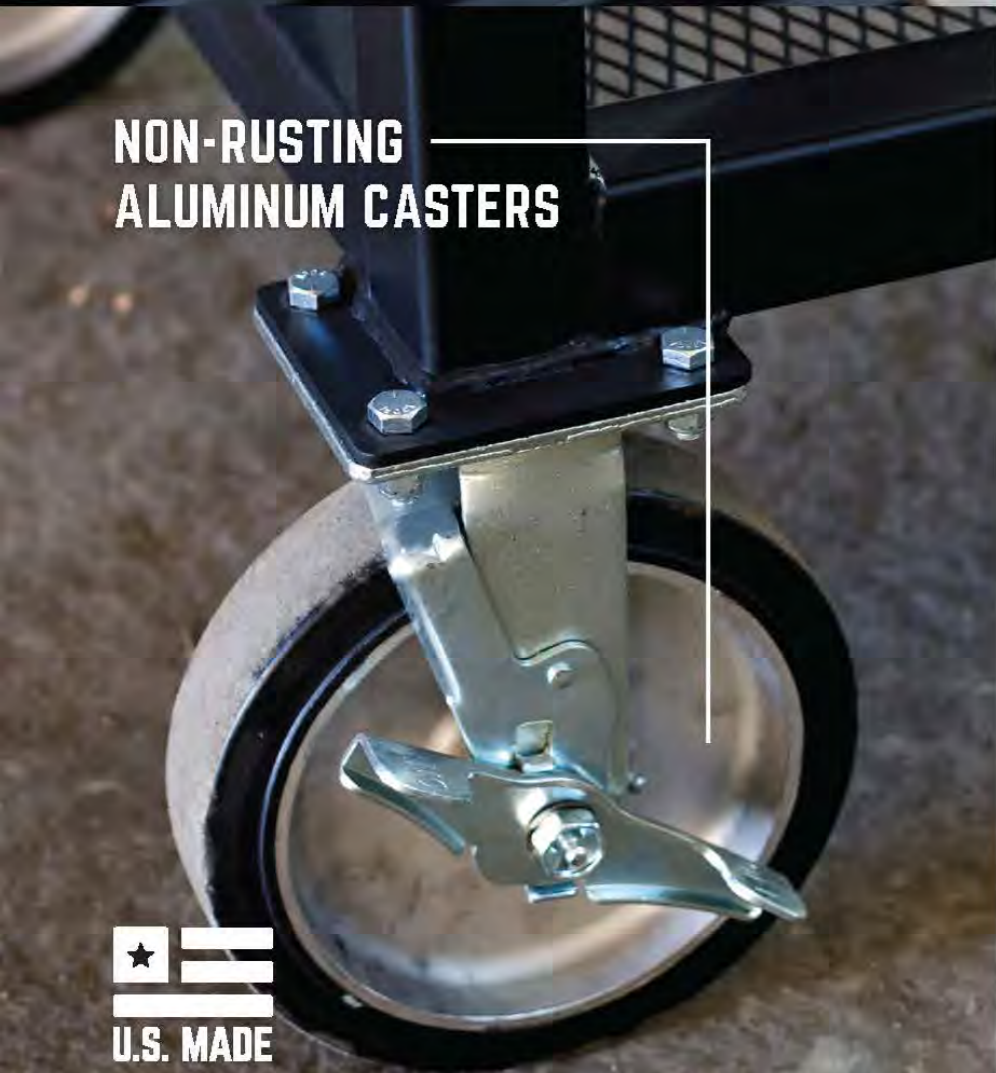
HOORAY
GRILL CO.



**SINGLE-HANDED
GEAR SYSTEM GRATE ADJUSTMENT**



**4-PRONG, HEAVY-DUTY
ROTISSERIE KIT**



**NON-RUSTING
ALUMINUM CASTERS**



HOORAY FOR THE LAST GRILL YOU'LL EVER BUY.

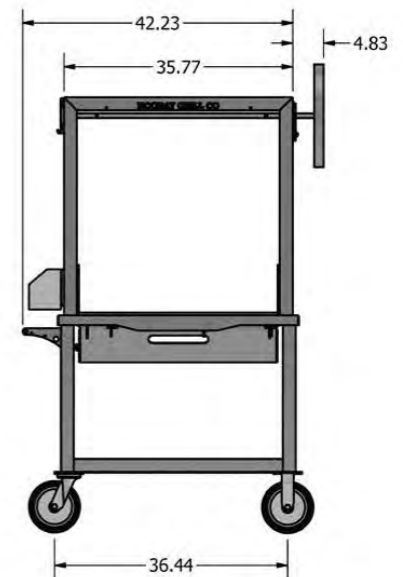
Crafted from iron and steel, the **Lodge Series** is built to deliver endless Santa Maria-style cookouts. These grills are made for the backyard, but they don't have to stay there. Featuring a compact and mobile design, the Lodge Series can bring open-fire cooking to the stadium, campsite and other outdoor environments where people gather for a good time.

LODGE SERIES **30**

SPECIFICATIONS

DIMENSIONS: 33" X 46" X 74"
GRILLING SURFACE: 17.5" X 30"
WEIGHT: 200 LB

LODGE SERIES 30

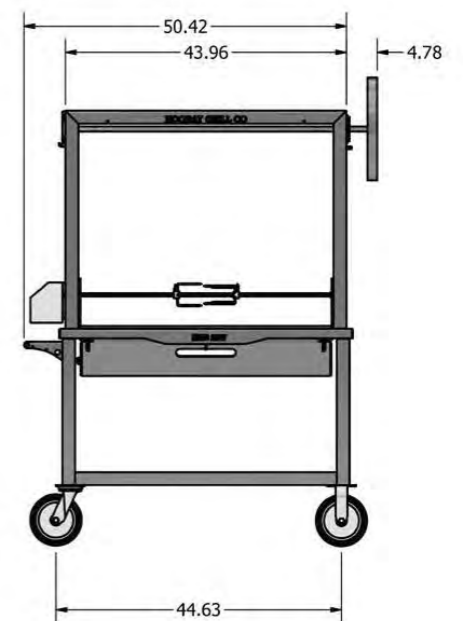


LODGE SERIES **40**

SPECIFICATIONS

DIMENSIONS: 33" X 56" X 74"
GRILLING SURFACE: 19.75" X 39.5"
WEIGHT: 260 LB

LODGE SERIES 40



STANDARD FEATURES

- Three cast-iron grilling grates
- One-handed grilling grate adjustment
- 3/4" stainless steel crank shaft
- Easy-to-operate 12-gage folding table
- Heavy-duty 3/16" welded steel firebox
- High heat-rated industrial coating
- 14-gage structural steel tubing frame
- 1/2" expanded metal wood shelf
- Commercial-grade 8" aluminum casters



**HOORAY
GRILL CO.**