



Simply Engineered Better

MD44

High Temperature Rack Conveyor Dishwashing Machine



MD44 shown with optional extended vent stack and optional booster

SPECIFIER STATEMENT

Specified unit will be Moyer Diebel MD44 rack conveyor dishwashing machine.

Features include: chemical connections, vent fan interlock and table limit switch connections, energy sentinel, extended vent cowls with stack and dampers, built in diagnostics and anti-jam conveyor drive system.

1 year parts and labor warranty.



Project _____
Item No. _____
Quantity _____

MD44 RACK CONVEYOR

STANDARD FEATURES

- **ENERGY STAR® Qualified**
- High performance 219 racks per hour
130 gallons [108 imp gal] per hour
0.59 gallons [.49 imp gal] per rack
- Low water consumption
- Energy Sentinel, for low water usage
- Built-in diagnostics
- Easy clean stainless steel upper and lower wash and rinse arms
- Stainless steel vent cowls and extra curtain (set)
- Anti-jam conveyor system
- Vent fan interlock connection
- Table limit switch connection
- Single point electrical connection
- Single point water connection
- Drain is a manual ball valve
- Booster heater is optional
- Complete with two 20" x 20" racks, one peg and one rack
- One year parts and labor warranty

OPTIONS & ACCESSORIES

- 40°F (4°C) rise (16 kW) electric booster
- 70°F (21°C) rise (27 kW) electric booster
- Direction of operation
 - Right to left
 - Left to right
- Table limit switch
- Drain water tempering kit (mounted & interwired)
- Voltage 480/60/3
- Water Pressure Reducing Valve (unmounted) (standard with booster)
- Shock arrester (unmounted)
- Copper final rinse lines
- Extended vent stack

Moyer Diebel – USA

3765 Champion Blvd, Winston-Salem, NC 27105 Tel: 336/661-1992 Fax: 336/661-1979 800/228-8350 www.moyerdiebel.com

Moyer Diebel Ltd. – Canada

2674 North Service Rd., Jordan Station, Ontario, Canada L0R 1S0 Tél: 800/263-5798 Fax: 905/562-5422





MD44

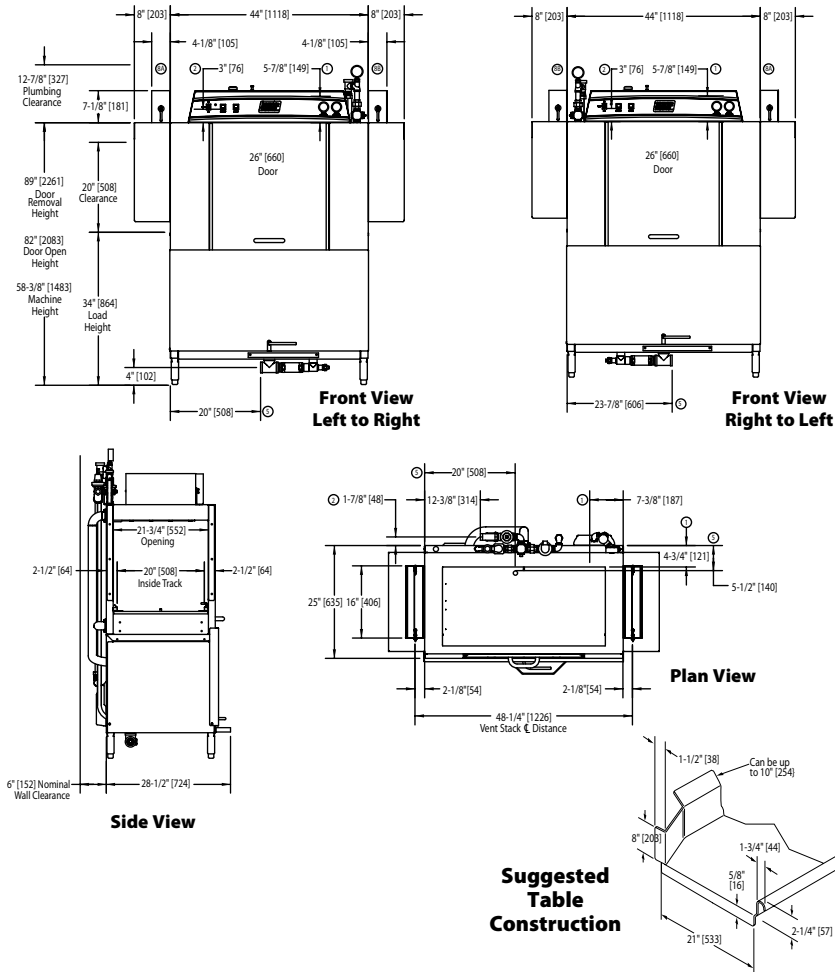
High Temperature Rack Conveyor Dishwashing Machine

Utilities	
1 Electrical	Machine and booster (See electrical chart)
2 Hot water	Main connection 3/4" NPT, 110°-140°F (43°-60°C) 20-22 PSI Flow pressure (124-152 kPa) PRV supplied with booster only
5 Drain Connection	1-1/2" NPT
8 Vent Stack Connection	A. Load end 150 CFM @ 1/4" static pressure B. Unload end 400 CFM @ 1/4" static pressure

Shipping weight crated: **755 lbs. [342 kg]**

Dimensions shown in inches and [millimeters]

SPECIFICATIONS	
Capacity	
Racks per hr. (NSF rated)	219
Conveyor speed (ft/min)	6.0
Motor Horsepower	
Wash	2
Water Consumption	
Per hr. (max. use)	130 US gal/ 108 imp.gal
Per rack	.59 US gal/.49 imp.gal
Heating	
Tank heat, electric (kW)	15
Electric booster (kW supplied for 40° F rise)	16
Electric booster (kW supplied for 70° F rise)	27



Warning: Plumbing and electrical connections should be made by qualified personnel who will observe all the applicable plumbing, sanitary and safety codes.

Machine only			
Elec. Specs.	Rate Amps	Maximum Supply Ckt. Conductor Ampacity	Maximum Overcurrent Protective Device
208/60/3	53	70	70
240/60/3	48	60	60
480/60/3	25	30	30

MD44 with 40° F Rise (16kW) Booster			
Elec. Specs.	Rate Amps	Maximum Supply Ckt. Conductor Ampacity	Maximum Overcurrent Protective Device
208/60/3	97	125	125
240/60/3	86	110	110
480/60/3	44	60	60

MD44 with 70° F Rise (27kW) Booster			
Elec. Specs.	Rate Amps	Maximum Supply Ckt. Conductor Ampacity	Maximum Overcurrent Protective Device
208/60/3	128	150	150
240/60/3	113	125	125
480/60/3	57	70	70

Booster Heater Only			
40 F Rise, 16KW			
Elec. Specs.	Rate Amps	Maximum Supply Ckt. Conductor Ampacity	Maximum Overcurrent Protective Device
208/60/3	44	60	60
240/60/3	39	50	50
480/60/3	19	25	25

Booster Heater Only			
70° F Rise, 27kW			
Elec. Specs.	Rate Amps	Maximum Supply Ckt. Conductor Ampacity	Maximum Overcurrent Protective Device
208/60/3	75	90	90
240/60/3	65	80	80
480/60/3	33	40	40

Due to an ongoing value analysis program at Moyer Diebel, specifications contained in this catalog are subject to change without notice.

3765 Champion Blvd, Winston-Salem, NC 27105 • 336/661-1992 • Fax: 336/661-1979 • www.moyerdiebel.com

2674 North Service Rd., Jordan Station, Ontario, Canada L0R 1S0 • Tél: 800/263-5798 • Fax: 905/562-4618 • www.championindustries.com/canada