

LUXUS[®]

1.0 / 1.5 / 2.0 GALLON THERMAL DISPENSERS AND SERVERS

L4 SERIES



2.0 Gallon

1.5 Gallon

1.0 Gallon

L4D Thermal
Dispensers



2.0 Gallon

1.5 Gallon

1.0 Gallon

* Shown with #A147
Server Stand
(sold separately)

L4S Thermal
Servers

The L4 Series Thermal Dispenser and Servers are designed to keep your coffee service hot, fresh and portable. With the legendary thermal retention properties you'd expect from FETCO, the L4 is equipped with enhanced features that now make it even easier for operators to manage their daily coffee service. Digital liquid-level monitoring and rugged stainless construction make the L4 the perfect self-serve choice for any foodservice segment - Hotels, OCS, C-Stores, Restaurants, Coffee Shops, Cafes, etc.

Specialty Beverage Solutions

The right solutions to grow your business.

FETCO[®]
TRUSTED | RELIABLE | QUALITY

L4D Series LUXUS® Thermal Dispensers & Servers

The LUXUS® L4D Thermal Dispensers and Servers are designed to retain all the heat generated during the brewing process with very little dissipation. In fact, FETCO thermal dispensers maintain the suggested 180-185°F holding temperature for at least 4 hours and meet or exceed industry standards. This patented technology eliminates the need for an additional heat source, thus saving energy and equipment costs.



L4D Dispenser

With integrated stand and removable drip tray.



L4S Server

Shown with Serving Station with removable drip tray (sold separately).

Key Features and Benefits

Integrated Lid Design with Improved Functionality

The integrated lid design features a removable funnel system, pivoting brew cap and front-positioned handle.

- ▶ Precision Fit Funnel Assembly keeps moisture and heat from escaping to lock in freshness and aroma
- ▶ Brew Cap mounted on lid exterior for easy access
- ▶ Forward positioned handle for better maneuverability



Digital Freshness Timer

Four pie-shaped visual indicators that represent how much time (in 15 minute increments) has elapsed since filling.



- ▶ Example #1
1 hour 15 mins. elapsed / 80% liquid remaining (represented by 4 filled bars)



*NOTE: Time is reset when dispenser is emptied, removing funnel or when enough liquid is added to increase volume by one level.

Digital Volume Indicator

Digital visual indicator shows how much liquid remains with a series of "V" shape bars representing 20% increments.



- ▶ Example #2
2 hours 30 mins. elapsed / 20% liquid remaining (represented by 1 filled bar)



*NOTE: Time is reset when dispenser is emptied, removing funnel or when enough liquid is added to increase volume by one level.

Funnel Construction

Funnel enclosure helps provide additional protection to circuit board, internal battery and display window. Features built-in handle for quick cleaning and maintenance.



Traditional Pull Faucet

Precise control of beverage container filling. Transparent polycarbonate faucet guard keeps containers and cups away from the spout to help prevent cross contamination.



Wrap Stabilizer

Pronounced ledge in molded plastic cover helps prevent graphic "wraps" from sliding up the dispenser body during handling.



Multi-Face Serving Stations (L4 Servers)

Modular multi-station design in 1, 2 or 3 increments can create a permanent or temporary beverage service on any countertop, meeting room, lobby or food line.



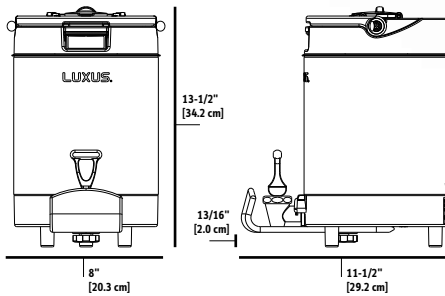
Measurements

D448	L4D-10 1.0 Gallon LUXUS® Thermal Dispenser				
Product	Height 21 ³ / ₄ " [55.2 cm]	Width 8" [20.3 cm]	Depth 12 ¹ / ₂ " [31.7 cm]	Empty Weight 8.0 lbs [3.6 kg]	Filled Weight 15.9 lbs [7.2 kg]
Shipping	23"	16"	13"	12.0 lbs	–
D449	L4D-15 1.5 Gallon LUXUS® Thermal Dispenser				
Product	Height 23" [58.4 cm]	Width 9" [22.9 cm]	Depth 13 ¹ / ₄ " [33.6 cm]	Empty Weight 10.5 lbs [4.8 kg]	Filled Weight 22.4 lbs [10.2 kg]
Shipping	25"	17"	13"	14.0 lbs	–
D450	L4D-20 2.0 Gallon LUXUS® Thermal Dispenser				
Product	Height 24 ¹ / ₂ " [62.2 cm]	Width 9" [22.9 cm]	Depth 13 ¹ / ₄ " [33.6 cm]	Empty Weight 11.5 lbs [4.8 kg]	Filled Weight 27.5 lbs [10.2 kg]
Shipping	27"	17"	13"	16.0 lbs	–

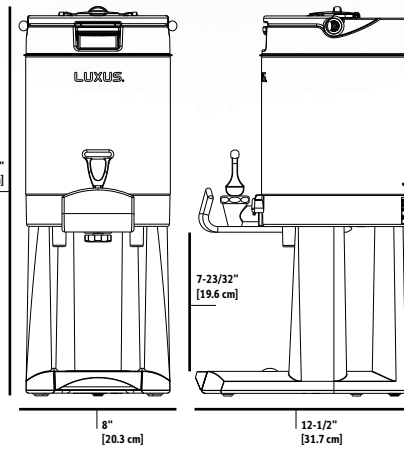
D451	L4S-10 1.0 Gallon LUXUS® Thermal Server*				
Product	Height 13 ¹ / ₂ " [34.2 cm]	Width 8" [20.3 cm]	Depth 11 ¹ / ₂ " [29.2 cm]	Empty Weight 5.6 lbs [2.5 kg]	Filled Weight 12.4 lbs [5.6 kg]
Shipping	15"	16"	12"	9.0 lbs	–
D452	L4S-15 1.5 Gallon LUXUS® Thermal Server*				
Product	Height 14 ³ / ₄ " [37.4 cm]	Width 9" [22.9 cm]	Depth 12 ¹ / ₂ " [31.7 cm]	Empty Weight 7.2 lbs [3.3 kg]	Filled Weight 17.6 lbs [8.0 kg]
Shipping	16"	17"	13"	10.0 lbs	–
D453	L4S-20 2.0 Gallon LUXUS® Thermal Server*				
Product	Height 16 ¹ / ₁₆ " [40.8 cm]	Width 9" [22.9 cm]	Depth 12 ¹ / ₂ " [31.7 cm]	Empty Weight 8.3 lbs [3.3 kg]	Filled Weight 25.0 lbs [8.0 kg]
Shipping	21"	17"	13"	12.0 lbs	–

* Must be used with with "A" series Serving Stations.

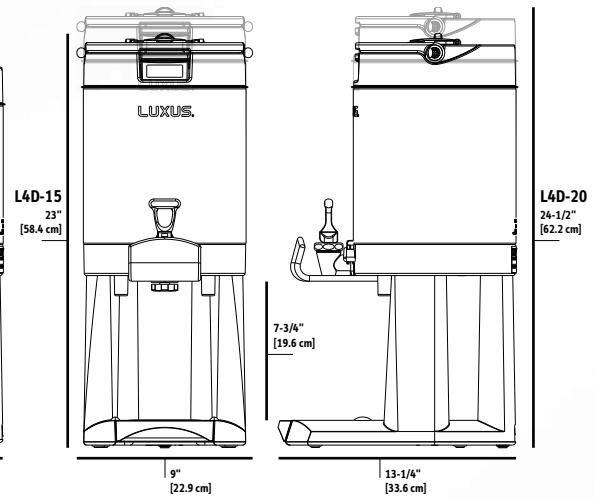
L4S-10



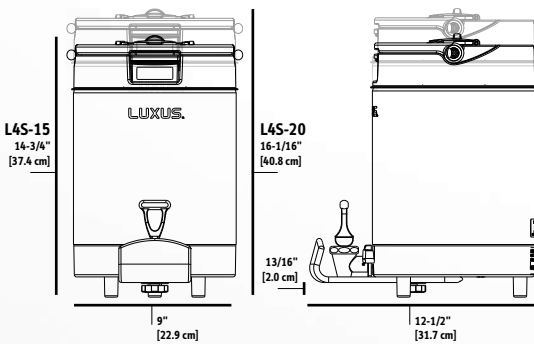
L4D-10



L4D-15/20



L4S-15/20



Customize Your Dispenser

- #1071.00030.00 Orange Dispenser Faucet Replacement Handle*
- #1071.00031.00 Green Dispenser Faucet Replacement Handle*
- #1071.00032.00 Blue Dispenser Faucet Replacement Handle*
- #1071.00040.00 Red Dispenser Faucet Replacement Handle*
- #Z053 Rear Facing Positioned Digital Display

* Color choice must be specified at time of purchase for no charge

Serving Stations

Serving Stations for L4S-10 Server

- #A147 Single Face
- #A148 Double Facing
- #A149 Triple Facing

Serving Stations for L4S-15/L4S-20 Servers

- #A150 Single Face
- #A151 Double Facing
- #A152 Triple Facing



NOTE: Serving stations work for both L3 and L4 series servers.

Information

fetco.com

info@fetco.com

847.719.3000
1.800.338.2699 USA
847.719.3001

Food Equipment Technologies Co.
600 Rose Road
Lake Zurich, IL 60047
USA

Specialty Beverage Solutions

tel: 1-888-805-5528 | email: sales@sbsolutions.ca
www.sbsolutions.ca