

SOMERSET

Tel: 978.667.3355

800.772.4404

Fax: 978.671.9466

Email: somerset@smrset.com

www.smrset.com



CDR-700

DOUGH SHEETER

★ EXTRA HEAVY DUTY ★

IDEAL FOR:

- High Volume Pizza Production
- Dough Lamination
- Dough Breaking
- Doughnut Production
- Pastry Production
- Pasta
- Cookies
- Dog Biscuits

HIGHLIGHTS:

- Sheets over 50lbs of dough up to 20" (51cm) wide
- Ideal for demanding applications with extra tough dough
- Ergonomic design makes it easy and simple to operate
- All stainless steel construction offers safety, sanitation, speed, simplicity, durability, and low cost



*The ultimate sheeter in safety and performance.
Sheets dough to a uniformed thickness in seconds.*

SOMERSET INDUSTRIES, INC • 1 ESQUIRE ROAD • NORTH BILLERICA, MA 01862 • U.S.A.

SOMERSET

DOUGH SHEETER

CDR-700

CDR-700 SYNTHETIC ROLLERS

CDR-700M METALLIC ROLLERS

FEATURES

- Removable sliding tray for easy operation, cleaning, and space saving
- Synthetic or metallic rollers
- Safety sensors for automatic shutoff
- Compact design, ideal for use in limited space
- Sanitary, heavy duty, all stainless steel welded construction
- Spring loaded scrapers readily removable for easy cleaning
- Simple handle adjustments for exact uniform dough thickness
- Maintenance free drive mechanism, isolated from the roller area
- Easy to operate, easy to clean
- Extremely versatile and safe machine

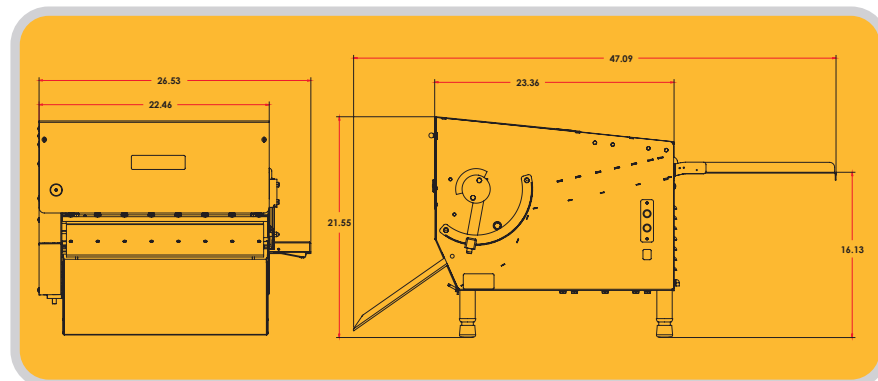


INDUSTRY USES:

- Pizzerias • Bakeries • Donut Shops • Dough Production • Schools • Institutions

SPECIFICATIONS

(Specifications subject to change without notice)



Rollers: 3.5" dia. by 20" length
(8.89 cm dia. by 50.80 cm length)

Scrapers: Synthetic, Spring Loaded, Removable

Bearings: Sealed Ball Bearings, Permanently Lubricated

Gear Motor: Heavy Duty 1 HP, Maintenance Free, Single Phase, 115v/60Hz, 220v/50Hz

Finishing: All Stainless Steel

Legs: 4" Adjustable, Stainless Steel

Shipping Weight: 210 lbs (95kgs)



MADE IN THE U.S.A. 05.10.12