

# SOMERSET

Tel: 978.667.3355

800.772.4404

Fax: 978.671.9466

Email: somerset@smrset.com

[www.smrset.com](http://www.smrset.com)



## SDR-400

## DOUGH ROUNDER

**MAKE DOUGH BALLS  
THE EASY WAY!**

### **IDEAL FOR:**

- **PIZZA**
- Tortillas
- Bread Rolls
- Roti
- Pita Bread
- Chipote
- Ethnic Foods

### **HIGHLIGHTS:**

- High production; 7,200 pieces per hour
- Rounds dough from 1oz (50g) to over 36oz (1kg)
- Stick-resistant dough intake
- Produces airtight ball with uniform round shape & size
- Compact size and low profile for flexible use
- Simple one person operation
- Adaptable to conveyor for full operation
- Automatic — no adjustments for dough size
- Reduces labor costs and health issues
- Continuous flow operation

**EXTREMELY COMPACT!  
HEAVY DUTY DOUGH BALLER**



**SOMERSET INDUSTRIES, INC • 1 ESQUIRE ROAD • NORTH BILLERICA, MA 01862 • U.S.A.**

# SOMERSET

## DOUGH ROUNDER

# SDR-400

SDR-400 ROUNDER WITHOUT TABLE

SDR-400T ROUNDER WITH TABLE

### FEATURES

- Patented stick-resistant dough intake
- Built with innovative non-stick, lightweight materials
- Maintenance-free drive mechanism
- Safety sensors for auto shutoff
- Patented design for easy operation and cleaning
- Manual or automatic feed operation
- Heavy duty construction



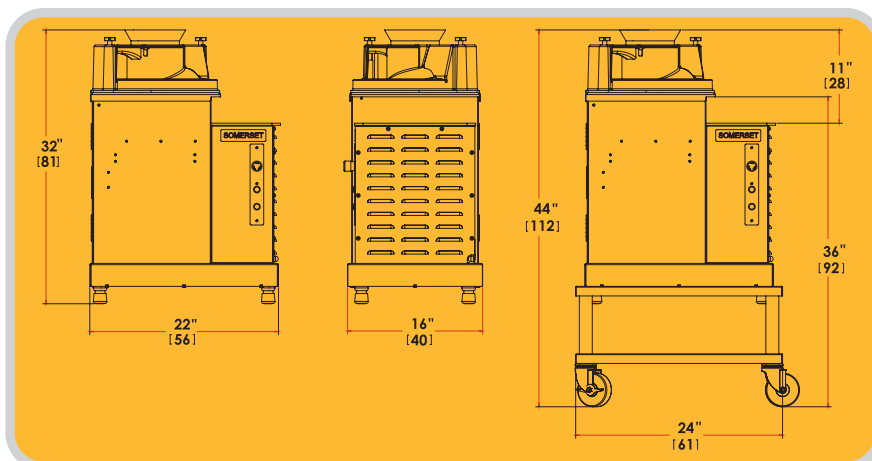
Rounder with Table  
SDR-400T

### INDUSTRY USES:

- Pizzerias
- Bakeries
- Restaurants
- Schools
- Hotels
- Cafes
- Mexican Restaurants
- Ethnic Food Establishments
- Government Facilities

### SPECIFICATIONS

(Specifications subject to change without notice)



**Auger:** Synthetic

**Bearings:** Sealed Ball Bearings Permanently lubricated

**Gear Motor:** Heavy Duty 3/4 HP Maintenance Free 115v/60Hz or 220v/50Hz, Single Phase

**Finishing:** All Stainless Steel

**Legs:** 4" Adjustable, Stainless Steel

**Shipping Weight:** SDR-400 225lbs (102kgs)  
SDR-400T 240lbs (109kgs)

PATENT PENDING



MADE IN THE U.S.A. 05.10.12