

SERVING THE FOOD INDUSTRY SINCE 1951

### STAINLESS STEEL DISH CABINETS



*Convenient solution  
to store clean dishes  
in your busy kitchen*

#### FEATURES

- 18-gauge stainless steel dish cabinets
- 304 Stainless steel top, walls, bottom and hat channel
- Centered channel on each shelf
- 1- 5/8 x 6" stainless steel leg, socket and bullet feet



**WARRANTY**



Authorized Dealer

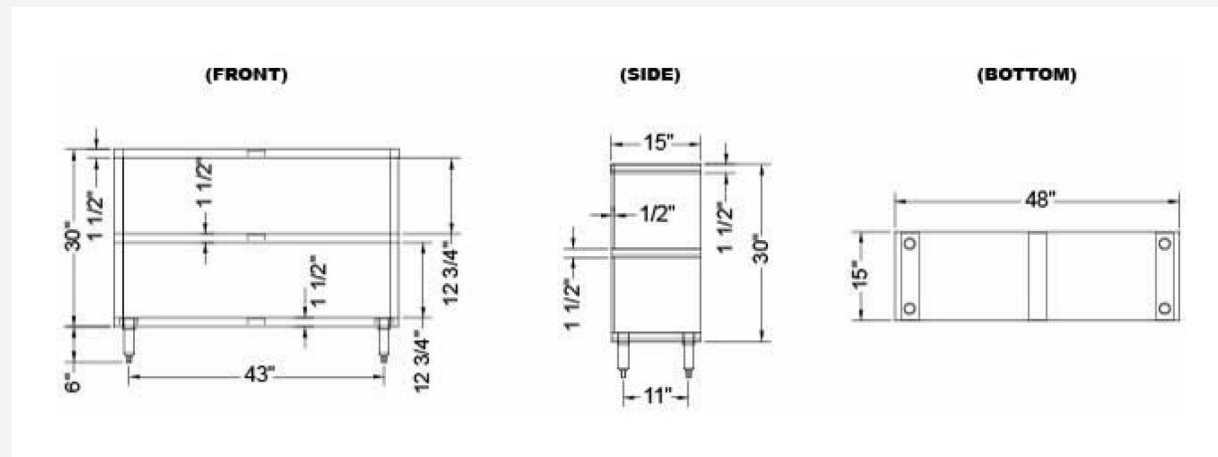
**TECHNICAL SPECIFICATIONS**



<b>ITEM</b>	<b>38029</b>
<b>MATERIAL</b>	18-gauge, 304 Stainless steel top, walls, bottom and hat channel
<b>TOP SHELF CAPACITY</b>	370 lbs. / 167.8 kg.
<b>MIDSELF CAPACITY</b>	190 lbs. / 86.18 kg.
<b>UNDERSHELF CAPACITY</b>	350 lbs. / 158.75 kg.
<b>OVER-ALL DIMENSIONS (DWH)</b>	15" x 48" x 36" / 381 x 1219.2 x 914.4 mm
<b>GROSS DIMENSIONS</b>	49" x 32" x 17" / 1244.6 x 812.8 x 431.8 mm
<b>WEIGHT</b>	80 lbs. / 36.28 kg.
<b>GROSS WEIGHT</b>	82 lbs. / 37.19 kg.

*Middle shelf is not adjustable.*

**TECHNICAL DRAWINGS WITH DETAILED DIMENSIONS**



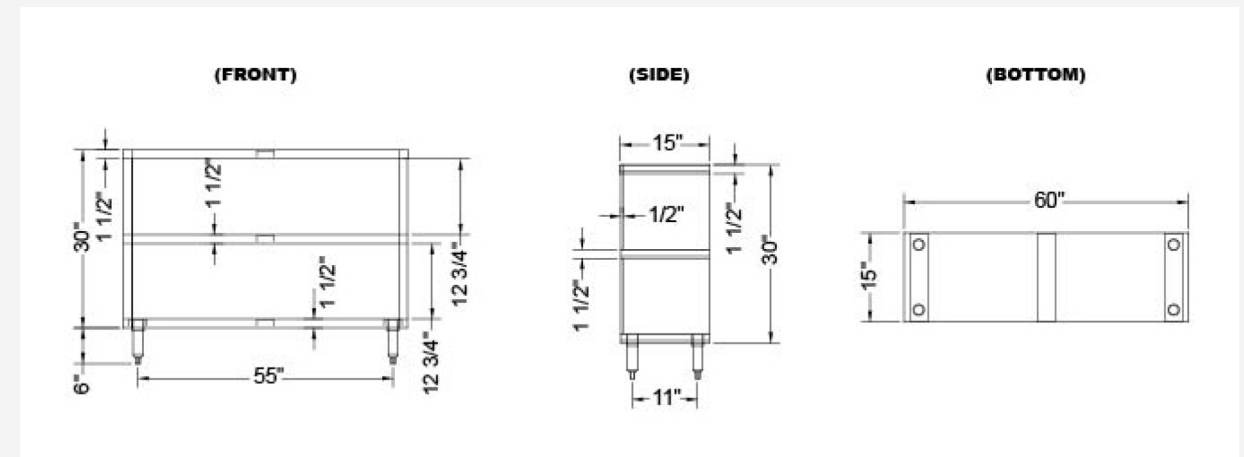
**TECHNICAL SPECIFICATIONS**



<b>ITEM</b>	<b>38030</b>
<b>MATERIAL</b>	18-gauge, 304 Stainless steel top, walls, bottom and hat channel
<b>TOP SHELF CAPACITY</b>	390 lbs. / 176.9 kg.
<b>MIDSELF CAPACITY</b>	200 lbs. / 90.7 kg.
<b>UNDERSHELF CAPACITY</b>	370 lbs. / 167.8 kg.
<b>OVER-ALL DIMENSIONS (DWH)</b>	15" x 60" x 36" / 381 x 1524 x 914.4 mm
<b>GROSS DIMENSIONS</b>	16" x 32" x 16" / 406.4 x 812.8 x 406.4 mm
<b>WEIGHT</b>	101 lbs. / 45.8 kg.
<b>GROSS WEIGHT</b>	103 lbs. / 46.72 kg.

*Middle shelf is not adjustable.*

**TECHNICAL DRAWINGS WITH DETAILED DIMENSIONS**



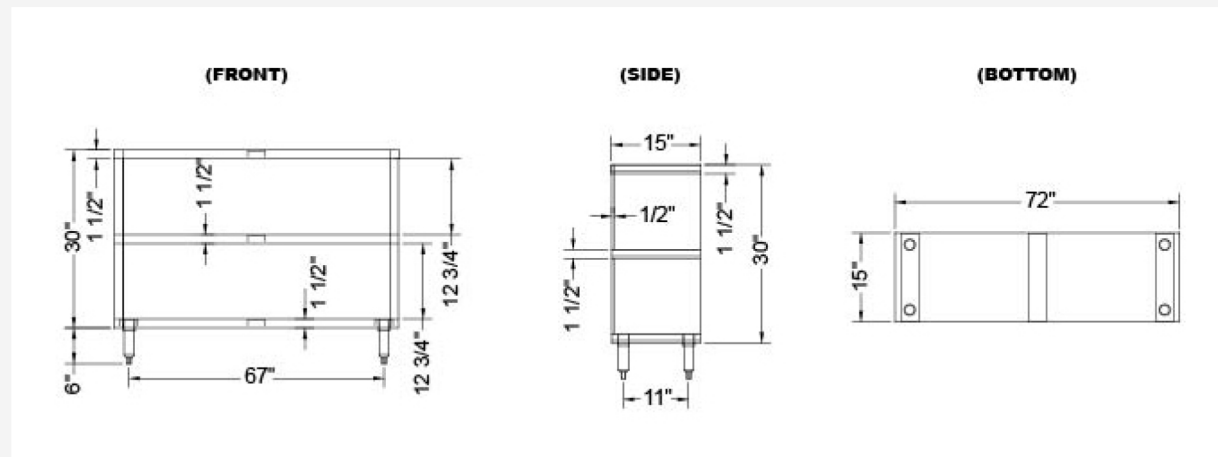
**TECHNICAL SPECIFICATIONS**



<b>ITEM</b>	<b>38031</b>
<b>MATERIAL</b>	18-gauge, 304 Stainless steel top, walls, bottom and hat channel
<b>TOP SHELF CAPACITY</b>	410 lbs. / 186 kg.
<b>MIDHSHELF CAPACITY</b>	210 lbs. / 95.25 kg.
<b>UNDERSHELF CAPACITY</b>	390 lbs. / 176.9 kg.
<b>OVER-ALL DIMENSIONS (DWH)</b>	15" x 72" x 36" / 381 x 1828.8 x 914.4 mm
<b>GROSS DIMENSIONS</b>	73" x 16" x 32" / 1828.8 x 406.4 x 812.8 mm
<b>WEIGHT</b>	108 lbs. / 49 kg.
<b>GROSS WEIGHT</b>	110 lbs. / 50 kg.

*Middle shelf is not adjustable.*

**TECHNICAL DRAWINGS WITH DETAILED DIMENSIONS**



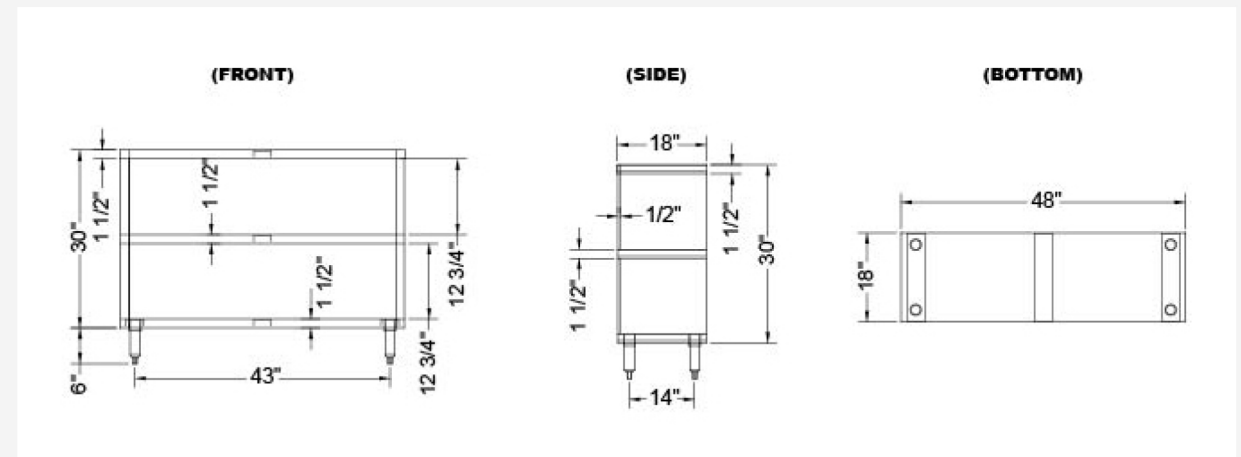
**TECHNICAL SPECIFICATIONS**



<b>ITEM</b>	<b>38032</b>
<b>MATERIAL</b>	18-gauge, 304 Stainless steel top, walls, bottom and hat channel
<b>TOP SHELF CAPACITY</b>	400 lbs. / 181.4 kg.
<b>MIDHSHELF CAPACITY</b>	205 lbs. / 93 kg.
<b>UNDERSHELF CAPACITY</b>	370 lbs. / 167.8 kg.
<b>OVER-ALL DIMENSIONS (DWH)</b>	18" x 48" x 36" / 457.2 x 1219.2 x 914.4 mm
<b>GROSS DIMENSIONS</b>	50" x 32" x 20" / 1270 x 812.8 x 508 mm
<b>WEIGHT</b>	93 lbs. / 42.18 kg.
<b>GROSS WEIGHT</b>	94 lbs. / 42.6 kg.

*Middle shelf is not adjustable.*

**TECHNICAL DRAWINGS WITH DETAILED DIMENSIONS**



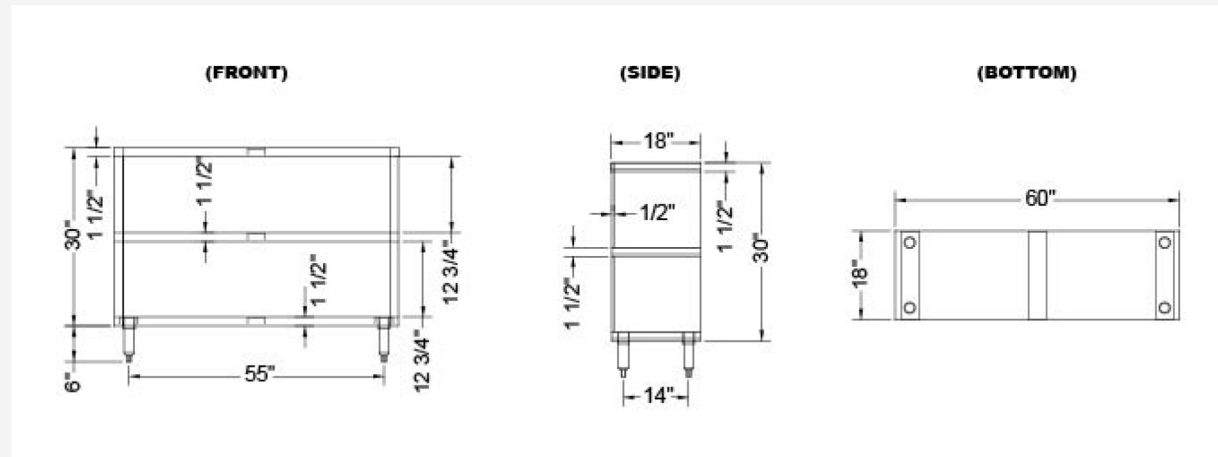
**TECHNICAL SPECIFICATIONS**



<b>ITEM</b>	<b>38033</b>
<b>MATERIAL</b>	18-gauge. 304 Stainless steel top, walls, bottom and hat channel
<b>TOP SHELF CAPACITY</b>	420 lbs. / 190.5 kg.
<b>MIDHSHELF CAPACITY</b>	215 lbs. / 97.5 kg.
<b>UNDERSHELF CAPACITY</b>	390 lbs. / 176.9 kg.
<b>OVER-ALL DIMENSIONS (DWH)</b>	18" x 60" x 36" / 457.2 x 1524 x 914.4 mm
<b>GROSS DIMENSIONS</b>	19" x 61" x 31" / 482.6 x 1549.4 x 787.4 mm
<b>WEIGHT</b>	185.2 lbs. / 84 kg.
<b>GROSS WEIGHT</b>	203 lbs. / 92 kg.

*Middle shelf is not adjustable.*

**TECHNICAL DRAWINGS WITH DETAILED DIMENSIONS**



**TECHNICAL SPECIFICATIONS**



<b>ITEM</b>	<b>38034</b>
<b>MATERIAL</b>	18-gauge. 304 Stainless steel top, walls, bottom and hat channel
<b>TOP SHELF CAPACITY</b>	440 lbs. / 200 kg.
<b>MIDHSHELF CAPACITY</b>	225 lbs. / 102 kg.
<b>UNDERSHELF CAPACITY</b>	410 lbs. / 186 kg.
<b>OVER-ALL DIMENSIONS (DWH)</b>	18" x 72" x 36" / 457.2 x 1828.8 x 914.4 mm
<b>GROSS DIMENSIONS</b>	19" x 73" x 31" / 482.6 x 1854.2 x 787.4 mm
<b>WEIGHT</b>	252.4 lbs. / 114.5 kg.
<b>GROSS WEIGHT</b>	276 lbs. / 125.19 kg.

*Middle shelf is not adjustable.*

**TECHNICAL DRAWINGS WITH DETAILED DIMENSIONS**

