



N8800

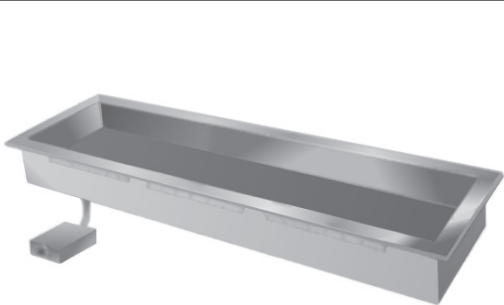
Drop-In Single Tank Electric Hot Food Wells

Project _____
 Item _____
 Quantity _____
 CSI Section 11400
 Approved _____
 Date _____

N8800 Drop-In Single Tank Electric Hot Food Wells

Models

- N8831 Single tank hot food wells, accommodates two 12" x 20" pans
- N8845 Single tank hot food wells, accommodates three 12" x 20" pans
- N8859 Single tank hot food wells, accommodates four 12" x 20" pans
- N8873 Single tank hot food wells, accommodates five 12" x 20" pans
- N8887 Single tank hot food wells, accommodates six 12" x 20" pans



N8887

Standard Features

- Adapter bars to accommodate 12" x 20" pans
- Single wet only well 8" deep made of stainless steel kinked to stainless 1" drain
- Single thermostatic temperature control wired to (1) main control panel with 2' of conduit and wire. Field install control panel at location
- Available for quick shipment
- One year parts and 90 day labor standard warranty

Options & Accessories

- Adapter plates and bars
- Single- or double-service flip-up sneezeguards
- Telescoping covers

Specifications

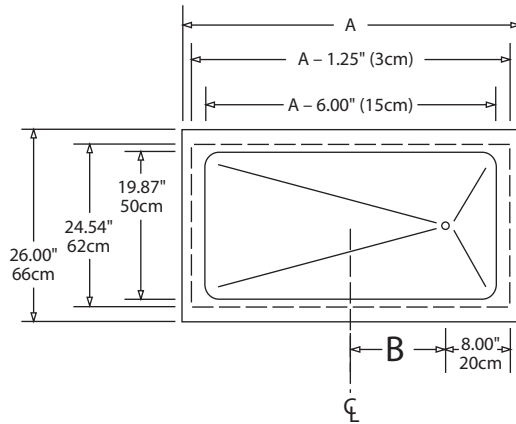
Top shall be one-piece 18-gauge stainless steel, with 2.00" (5cm) overhang around perimeter. Well shall be 8.00" (20cm) deep, creased to a 1.00" male N.P.T. stainless steel drain. Unit shall be provided with adapter bars to allow placement of 12" x 20" (30cm x 51cm) pans. Unit shall have the same number of 1000 watt heating elements as the unit's 12" x 20" pan capacity, mounted on underside of well. Sides shall be insulated with 1.00" (2.5cm) fiberglass; bottom shall have 2.00" (5cm) blanket insulation. Exterior housing shall be 20-gauge galvanized steel.

counter or at a remote location; 2' (61cm) length of wiring and conduit are provided. Unit shall have a three-wire electrical junction box to allow hard-wiring at installation.

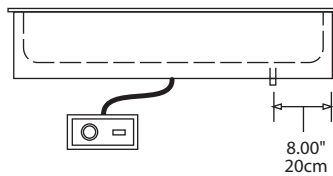


Unit shall have a single temperature control wired to a control panel for mounting in



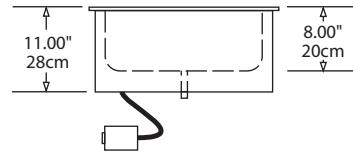


Typical Plan View
8800 Models



Control Panel Cutout Dimension
12.25"L x 4.25"H x 7.00"D
(31cmL x 11cmH x 18cmD)

Typical Elevation View
8800 Models



Right End View
8800 Models

Specifications

Model	A (Length)	B (Drain to Centerline)	Counter Cutout Dimensions	# Of 12"x20" Pans Held	Volts/Hertz/Phase	Amps	Watts	Ship Weight
N8831	31.75" (81cm)	5.91" (15cm)	30.75" x 25.00" (78cm x 64cm)	2	120/60/1	17.0	2000	100lbs (45kg)
N8845	45.63" (116cm)	12.84" (33cm)	44.63" x 25.00" (113cm x 64cm)	3	208-230/60/1	15.0/16.0	3000/3600	136lbs (62kg)
N8859	59.50" (151cm)	19.78" (50cm)	58.50" x 25.00" (149cm x 64cm)	4	208-230/60/1	20.0/22.0	4000/4800	158lbs (72kg)
N8873	73.38" (186cm)	26.71" (68cm)	72.38" x 25.00" (184cm x 64cm)	5	208-230/60/1	24.0/27.0	5000/6000	195lbs (88kg)
N8887	87.25" (222cm)	33.65" (85cm)	86.25" x 25.00" (219cm x 64cm)	6	208-230/60/1	29.0/32.0	6000/7200	224lbs (102kg)

Delfield reserves the right to make changes to the design or specifications without prior notice.