



# HIGH h CONVEYOR 2620™



Project \_\_\_\_\_

Item No. \_\_\_\_\_

Quantity \_\_\_\_\_

### EXTERIOR CONSTRUCTION

- 430 stainless steel front, top, sides and back
- Cool to touch covers and panels
- 7-inch capacitive touch screen with tempered glass cover

### INTERIOR CONSTRUCTION

- Stainless steel interior
- 26-inch cook chamber

### STANDARD FEATURES

- Small footprint with even more throughput than the HhC 2020
- Independently-controlled top and bottom air impingement
- Variable-speed High h recirculating impingement airflow system
- Stackable design up to 3 high (requires stacking kits)
- Variable-speed blower motors
- Easy to clean mono-finger design
- Idle mode for energy conservation
- Built-in self diagnostics for monitoring oven components
- Left or right feed conveyor belt direction via software
- Includes plug and cord (6 ft. nominal)
- Includes two 6" conveyor extensions
- Smart voltage sensor technology (U.S. only)
- Warranty – one year parts and labor
- Open Kitchen™ ready

### CONNECTIVITY PART NUMBERS

- MDD-1001: Initial Equipment
- MDD-1002: Additional Equipment
- MDD-1003: Additional Year (PhD SAAS)



### OPTIONAL FEATURES

- Split belt with individually-adjustable speed settings (split 50/50 or 70/30)
- Dual catalytic converters for ventless operation.†

### CERTIFICATIONS

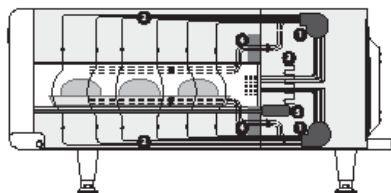


**PERFORMANCE**

- The High h Conveyor 2620 offers high-heat transfer rates for accelerated cooking, a small enough footprint to fit virtually any application, and does not require the energy consumption and higher HVAC needs of larger ovens.

**VENTILATION**

- UL (KNLZ) listed for ventless operation.†
- EPA 202 test (8 hr):
  - Product: Pepperoni Pizza
  - Results: 2.4 mg/m<sup>3</sup>
- Internal catalytic filtration to limit smoke, grease, and odor emissions.



1. Blower Motor
2. Impinged Air
3. Impingement Heater
4. Catalytic Converters (optional)
5. Conveyor Motor

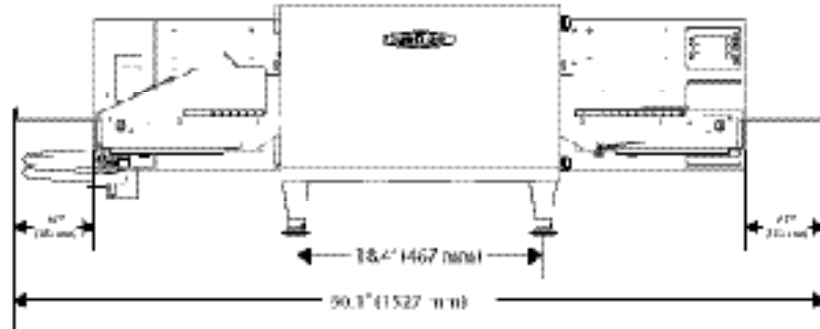
This product conforms to the ventilation recommendations set forth by NFPA96 using EPA202 test method.

† Ventless certification is for all food items except for foods classified as "fatty raw proteins." Such foods include bone-in, skin-on chicken, raw hamburger meat, raw bacon, raw sausage, steaks, etc. If cooking these types of foods, consult local HVAC codes and authorities to ensure compliance with ventilation requirements.

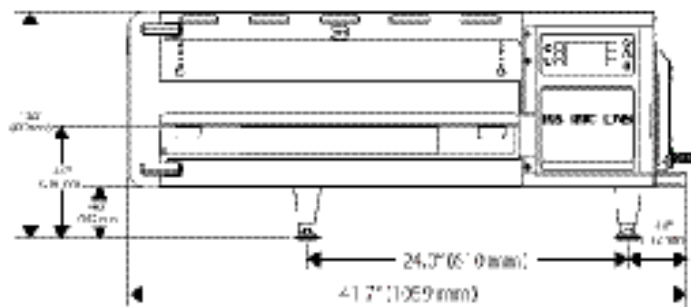
TurboChef reserves the right to make substitutions of components or change specifications without prior notice.



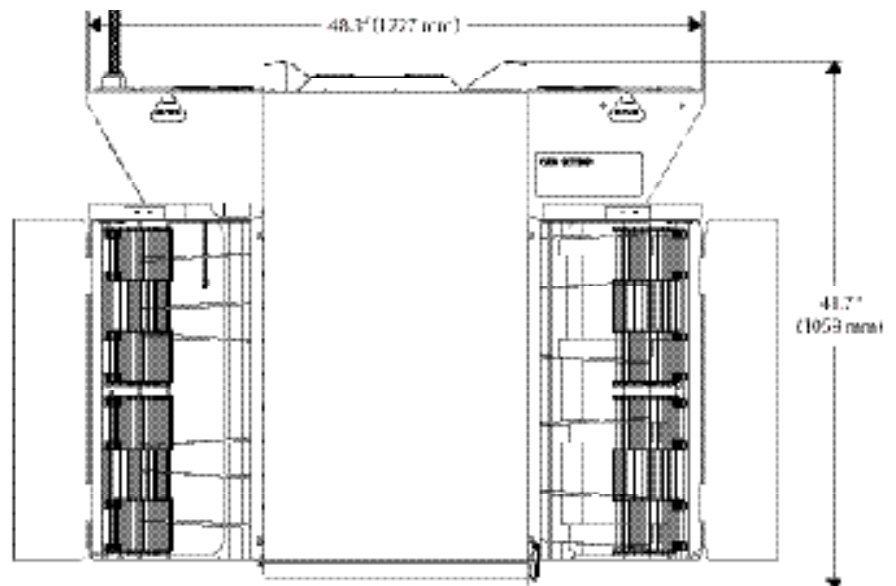
Front View



Side View

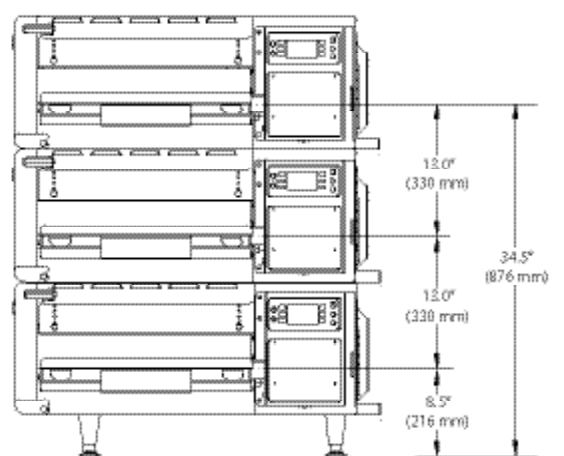
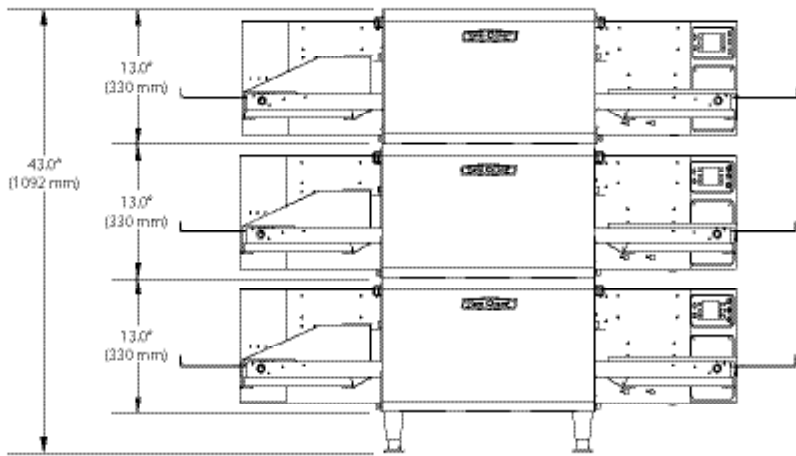
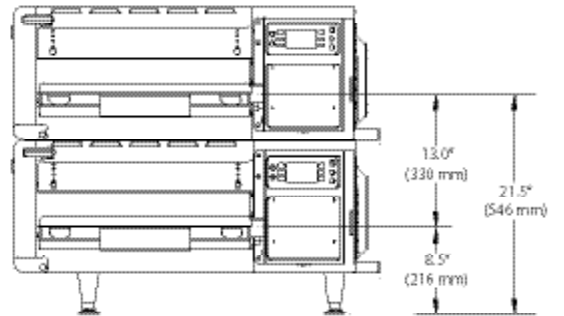
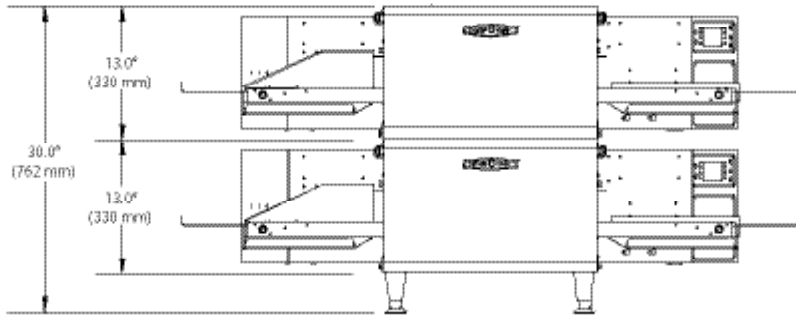




Top View



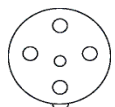




# Stacked Views



DIMENSIONS		
<b>SINGLE UNITS</b>		
Height	17.0"	432 mm
Width	48.3"	1227 mm
Depth	41.7"	1059 mm
Weight	260 lb.	118 kg
<b>Cook Chamber</b>		
Baking Area	3.6 ft <sup>2</sup>	0.33 m <sup>2</sup>
Belt Length	48.3"	1227 mm
Belt Width (Single)	26"	660 mm
Belt Width (50/50 Split)	12.5" / 12.5"	318 mm / 318 mm
Belt Width (70/30 Split)	17" / 8"	431 mm / 203 mm
Adjustable Opening (Min/Max)	1" / 3"	25 mm / 76 mm
Max Operating Temp	550°F	288°C
Bake Time Range	30 seconds to 15 minutes	
<b>Wall Clearance</b>		
Top	10"	254 mm
Sides	0"	0 mm
Back	0"	0 mm
<b>ELECTRICAL SPECIFICATIONS - USA</b>		
Single: HCW-9500-1 / HCW-9500-1-V (Ventless) 50/50 Split: HCW-9500-6 / HCW-9500-6-V (Ventless) 70/30 Split: HCW-9500-11 / HCW-9500-11-V (Ventless)		 NEMA 15-50P
Phase	3 Phase	
Voltage	208/240 VAC	
Frequency	50/60 Hz	
Current Draw	40 Amp	
Supply	4 Wire	
Breakers	50 Amp	
<b>ELECTRICAL SPECIFICATIONS - CANADA</b>		
Single: HCW-9500-2C / HCW-9500-2C-V (Ventless) 50/50 Split: HCW-9500-7C / HCW-9500-7C-V (Ventless) 70/30 Split: HCW-9500-12C / HCW-9500-12C-V (Ventless)		 UL 4 Pin, 60 Amp
Phase	3 Phase	
Voltage	208/240 VAC	
Frequency	50/60 Hz	
Current Draw	40/46 Amp	
Supply	4 Wire	
Breakers	50/60 Amp	

ELECTRICAL SPECIFICATIONS - EUROPE/ASIA (DELTA)		
Single: HCW-9500-3D / HCW-9500-3D-V (Ventless) 50/50 Split: HCW-9500-8D / HCW-9500-8D-V (Ventless) 70/30 Split: HCW-9500-13D / HCW-9500-13D-V (Ventless)		 IEC 4 Pin, 63 Amp
Phase	3 Phase	
Voltage	220 - 240 VAC	
Frequency	50/60 Hz	
Current Draw	40 Amp	
Supply	4 Wire	
Breakers	50 Amp	
ELECTRICAL SPECIFICATIONS - EUROPE/ASIA (WYE)		
Single: HCW-9500-4W / HCW-9500-4W-V (Ventless) 50/50 Split: HCW-9500-9W / HCW-9500-9W-V (Ventless) 70/30 Split: HCW-9500-14W / HCW-9500-14W-V (Ventless)		 IEC 5 Pin, 32 Amp
Phase	3 Phase	
Voltage	380 - 415 VAC	
Frequency	50/60 Hz	
Current Draw	20 Amp	
Supply	5 Wire	
Breakers	32 Amp	
ELECTRICAL SPECIFICATIONS - AUSTRALIA		
Single: HCW-9500-5W / HCW-9500-5W-V (Ventless) 50/50 Split: HCW-9500-10W / HCW-9500-10W-V (Ventless) 70/30 Split: HCW-9500-15W / HCW-9500-15W-V (Ventless)		 IEC 5 Pin, 32 Amp
Phase	3 Phase	
Voltage	380 - 415 VAC	
Frequency	50/60 Hz	
Current Draw	20 Amp	
Supply	5 Wire	
Breakers	32 Amp	
SHIPPING INFORMATION		
<b>U.S.:</b> All ovens shipped within the U.S. are packaged in a double-wall corrugated box banded to a wooden skid. <b>International:</b> All International ovens shipped via Air or Less than Container Loads are packaged in wooden crates.		
<b>Box size:</b> 54" (1,372 mm) x 48" (1,219 mm) x 26" (660 mm) <b>Crate size:</b> 57" (1,449 mm) x 51" (1,295 mm) x 27" (686 mm) <b>Item class:</b> 110 NMFC #26710 HS code 8419.81		
<b>Approximate boxed weight:</b> 345 lb. (156 kg) <b>Approximate crated weight:</b> 450 lb. (204 kg)		
<b>Minimum entry clearance required for box:</b> 26.5" (673 mm) <b>Minimum entry clearance required for crate:</b> 27.5" (699 mm)		

**TurboChef Global Operations**  
 2801 Trade Center Drive | Carrollton, Texas 75007 USA  
 USA: 800.90TURBO (800.908.8726) | International: +1 214.379.6000  
 Fax: +1 214.379.6073 | www.turbochef.com

**SEE OPPOSITE SIDE FOR ILLUSTRATIONS**