

Champion[®]

The Dishwashing Machine Specialists

Project _____
Item No. _____
Quantity _____

DH5000 HOOD-TYPE

STANDARD FEATURES

- **NEW** Factory authorized startup
- **ENERGY STAR[®] Qualified**
- **NEW Exclusive** Built-in booster configured for both 40° and 70° Rise
- Rinse Sentry – ensures 180°F final rinse
- Auto start – starts unit when hood is closed
- Single point electrical connection
- High efficiency 1 HP pump
- Up to 53 racks per hour
- Self draining pump
- Automatic tank fill
- Detergent/chemical connections
- Interchangeable upper and lower spray arm
- Automatic drain valve – drains wash tank when power is off
- Vent fan control
- Bottom mounted digital controls
- PRV (Pressure Reducing Valve)
- Sloped hood keeps hot vapors away from operator
- Standard and Heavy Duty wash cycles

DH5000

High Temperature
Hood-type Dishwashing Machine



OPTIONS & ACCESSORIES

- Drain Water Tempering Kit
- Ventless/Heat Recovery/
Condensate Removal option
- Door interlock – locks door closed
during the vent fan cycle
- Racks
 - Peg
 - Flat
- NEW** Champion ION scale prevention system



SPECIFIER STATEMENT

Specified unit will be Champion model DH5000 high temperature hood-type dishwashing machine.

Features sloped hood, electronic controls, Rinse Sentry, Auto start, interchangeable stainless steel wash and rinse arms, up to 53 racks/hr., .83 US gals/rack.

1 year parts and labor warranty.

Champion Industries, Inc.
3765 Champion Blvd., Winston-Salem, NC 27105
Tel: 336/661-1556 Fax: 336/661-1979
www.championindustries.com

Champion®

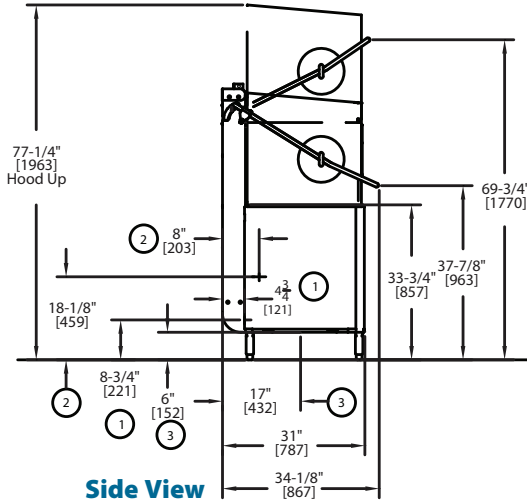
The Dishwashing Machine Specialists

DH5000

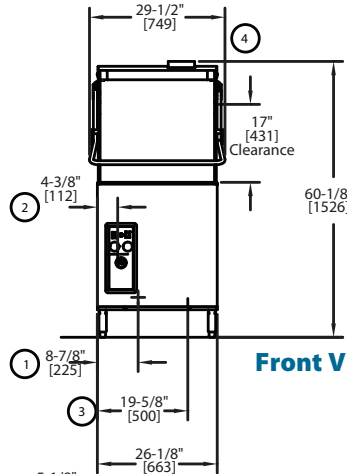
High Temperature
Hood-type Dishwashing Machine

Shipping weight crated: 300 lbs.

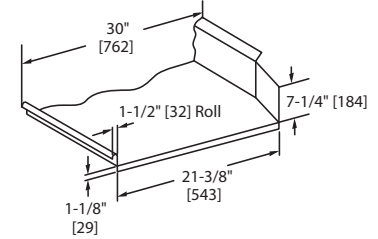
Dimensions shown in inches and [mm]



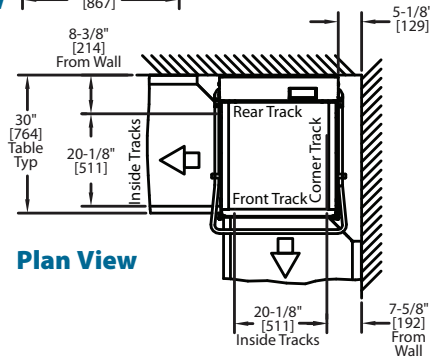
Side View



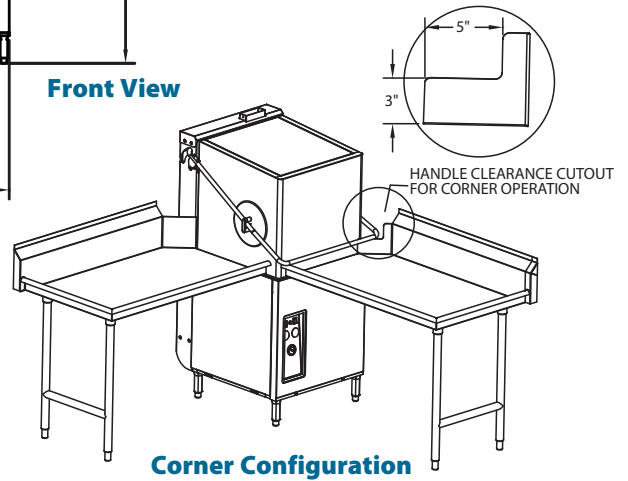
Front View



Typical Table Construction



Plan View



Corner Configuration

Utilities	
1	Electrical Machine Connection (See Electrical Box)
2	Hot Water 3/4" NPT Hot Water 110° - 140°F 20-22 PSI Flow Pressure
3	Drain 2" OD Connection 15 GPM Max Flow
4	Exhaust 250 CFM Hood Required

Warning: Plumbing, electrical connections should be made by qualified personnel who will observe all the applicable plumbing, sanitary and safety codes and the National Electrical Code.

Due to an ongoing value analysis program at Champion, specifications contained in this catalog are subject to change without notice.

Champion Industries, Inc.,
3765 Champion Blvd., NC 27105
336/661-1556 • Fax: 336/661-1979
ChampionIndustries.com

Electric Heat, No Booster			
Voltage	Rated Amps	Minimum Supply Circuit Ampacity	Maximum Overcurrent Protective Device
208-240/60/1	31-35	45	45
208-240/60/3	20-22	30	30
460-480/60/3	10	15	15

Machine and Built-in Booster			
Voltage	Rated Amps	Minimum Supply Circuit Ampacity	Maximum Overcurrent Protective Device
208-240/60/1	67-76	80	80
208-240/60/3	41-47	60	60
460-480/60/3	21-22	25	25

SPECIFICATIONS

Capacities

Racks per hr. (NSF rated)	53
Wash tank (gal.)	9.5

Motor horsepower

1 HP

Water consumption

Gal. per hr. (max. use)	45.7
Gal. per rack	0.83

Temperature °F

Wash	150
Rinse	180

Heating

Tank heat, electric	5.2 kW
Electric Booster	7.5-10 kW

Time cycle in seconds

	Standard	Extended
Wash	35	65
Rinse	10	10
Sanitary Dwell	15	15
Total cycle	60	90