



ATOSA USA, INC.

“WE MAKE THE KITCHEN BETTER!”

Toll Free: 855-855-0399 Email: info@atosausa.com

www.atosa.com | www.atosausa.com

California, Colorado, Florida, Georgia, Illinois, Massachusetts, New Jersey, Ohio, Texas, Washington

ICE STORAGE BIN

Standard Features

- Bin holds up to 395 or 700 lbs. of ice
- Durable Stainless steel exterior
- Slanted black plastic bin door
- Ice scoop included
- Ice bins come standard with bin adapter
- Designed to work with Atosa Ice machines YR450-AP-161 and YR800-AP-261

** Water Filter Recommended on all Atosa ice machines*

**Both Atosa Ice Bins
CYR400P and CYR700P
are compatible with Atosa Ice Machines
YR450-AP-61 & YR800-AP-261
(Ice machines sold separately)**



CYR700P Shown with Atosa ice maker

CYR400P Shown with Atosa ice maker



2 YEAR PARTS AND LABOR WARRANTY (US ONLY)

Atosa International
www.atosa.com

Atosa USA
www.atosausa.com

MODELS:

CYR400P / CYR700P



CYR700P



CYR400P



ATOSA USA, INC.

pg. 1



“WE MAKE THE KITCHEN BETTER!”

Toll Free: 855-855-0399 Email: info@atosausa.com

www.atosa.com | www.atosausa.com

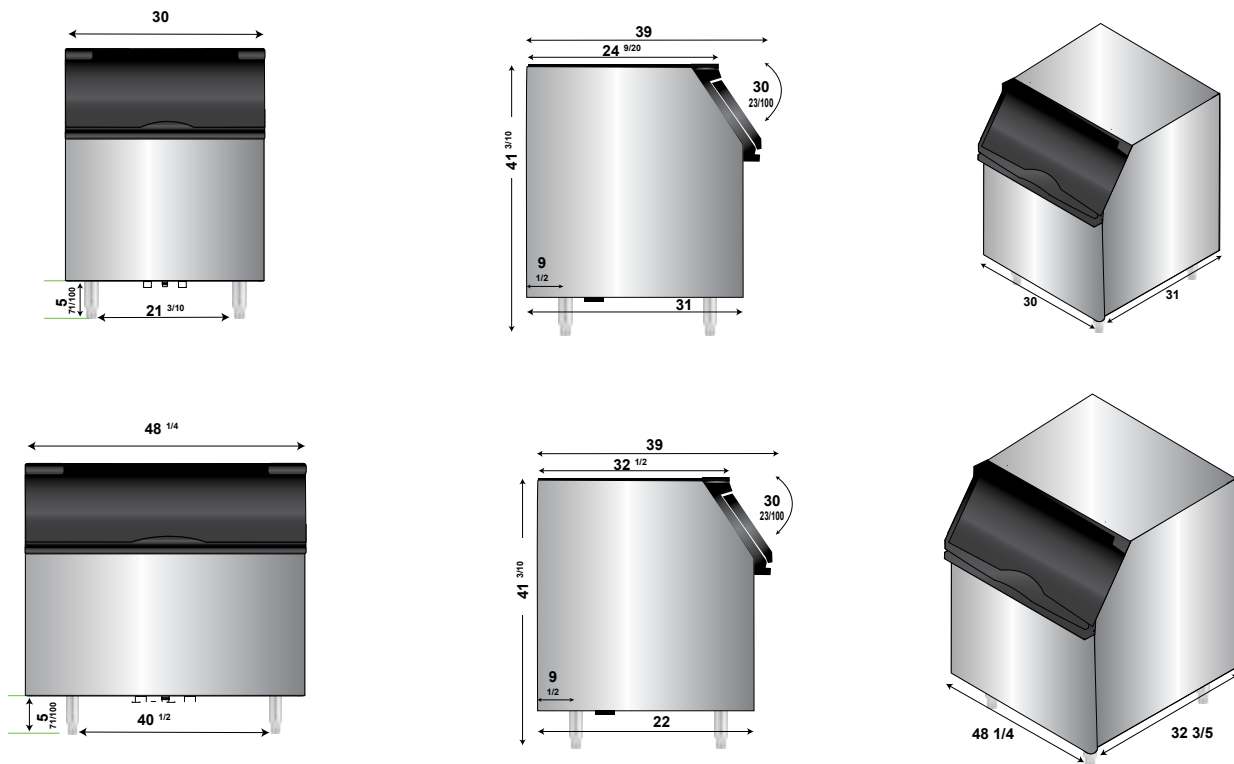
California, Colorado, Florida, Georgia, Illinois,

Massachusetts, New Jersey, Ohio, Texas, Washington

SPECIFICATIONS

Model	Type	Exterior Dimension	Packaging Dimension	Net Weight	Gross Weight	Storage Capacity	Legs	Foaming Material
CYR400P	Ice Bin	30 × 31 × 41 ^{3/10}	31 ^{9/10} × 32 ^{3/5} × 42 ^{1/2}	99 lbs	141 lbs	396	5.71 in.	C5H10
CRY700P	Ice Bin	48 ^{1/4} × 32 ^{3/5} × 41 ^{3/10}	50 ^{1/5} × 34 ^{3/5} × 41 ^{7/10}	121 lbs	154 lbs	700	5.71 in.	C5H10

PLAN VIEW



Designed for Atosa Ice Machines

Model	Type	Exterior Dimension	Gross Weight	Power	Ice-making Capacity	Voltage	Rated Current	Legs	Refrigerant
YR450-AP-161	Cube ice	30 ^{1/5} × 37 ^{9/10} × 22	299 lbs	965w	460 lbs. 24hr	115/60/1	9.6A	6 in.	R290
YR800-AP-161	Cube ice	30 ^{1/5} × 37 ^{9/10} × 32	328 lbs	1750w	810 lbs. 24hr	220/60/1	7.5 A	6 in.	R404a



2 YEAR PARTS AND LABOR WARRANTY (US ONLY)

Atosa International
www.atosa.com

Atosa USA
www.atosausa.com

