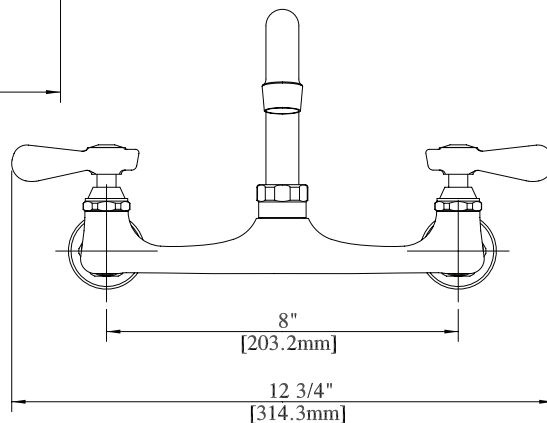
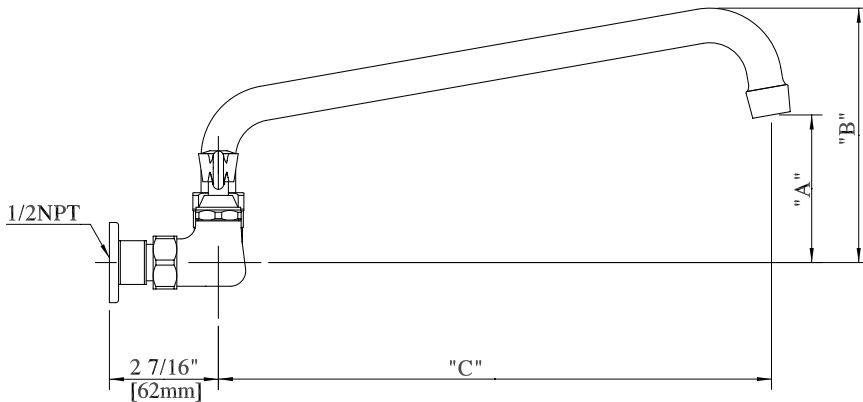
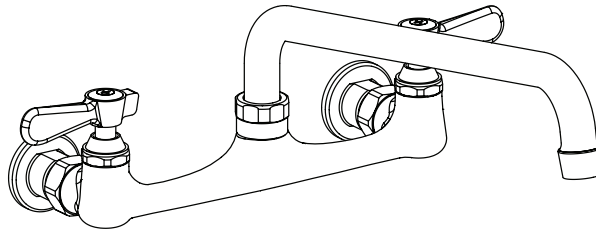




Use your smart phone to scan the above QR code to visit our website: www.bk-resources.com

8" Splash Mount Standard Duty Faucet with Swing Spout

Model: BKF-8W-G, Lead Free



Options:



BKF-C414-VR
Vandal Resistant Aerator - .5 GPM

BK-DMMK-90
Faucet Mounting Kit - *SOLD SEPARATELY*

Product Specifications:

- 1/4 Turn Ceramic Cartridges
- Color Coded Hot & Cold Indicators
- Double O-Ring Spout Seal
- High Polished Chrome Finish
- Lead Free Compliant
- Full Replacement Parts Available

Product Detail:

Model Number	DIM. A	DIM. B	DIM. C
BKF-8W-6-G	1.88" [47.6]	4.16" [105.6]	6" [152.4]
BKF-8W-8-G	2.31" [58.7]	4.56" [115.8]	8" [203.2]
BKF-8W-10-G	2.69" [68.3]	4.88" [123.8]	10" [254]
BKF-8W-12-G	3.56" [90.5]	5.31" [134.9]	12" [304.8]
BKF-8W-14-G	3.5" [88.9]	5.75" [146]	14" [355.6]
BKF-8W-16-G	3.88" [98.4]	6.09" [154.8]	16" [406.4]

Certifications:



PRODUCT SPECIFICATION SHEET

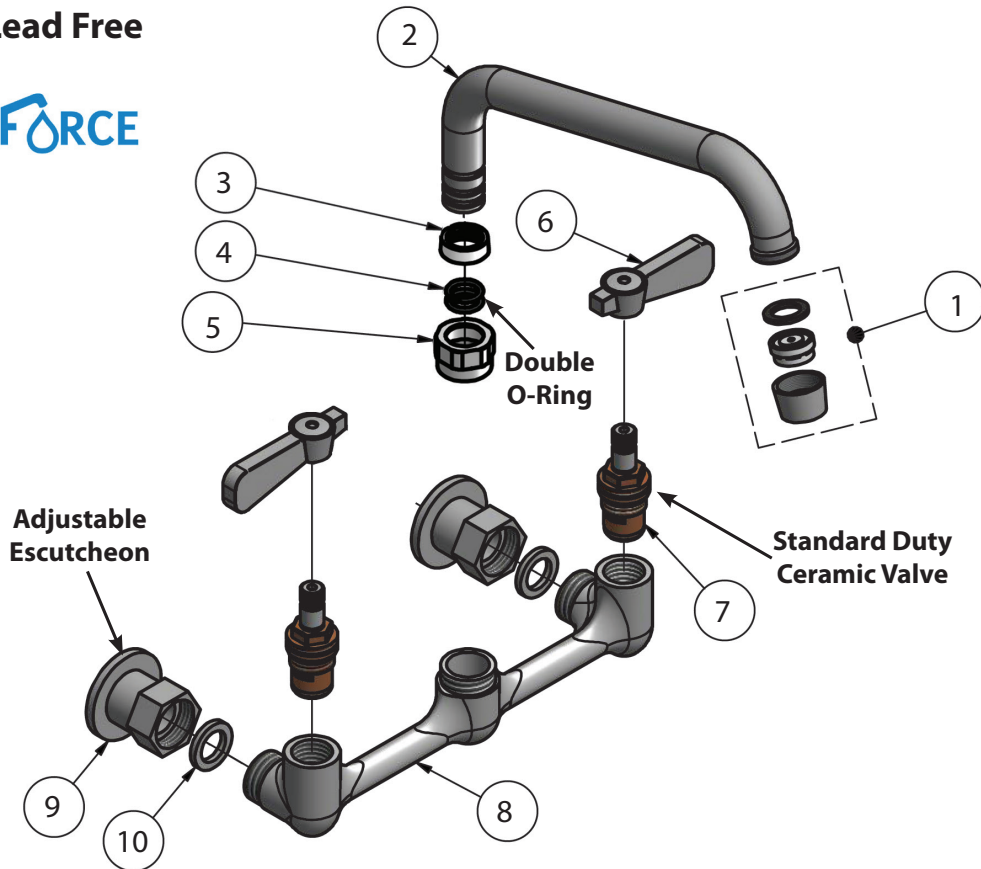
RESOURCES





8" Splash Mount Standard Duty Faucet with Swing Spout

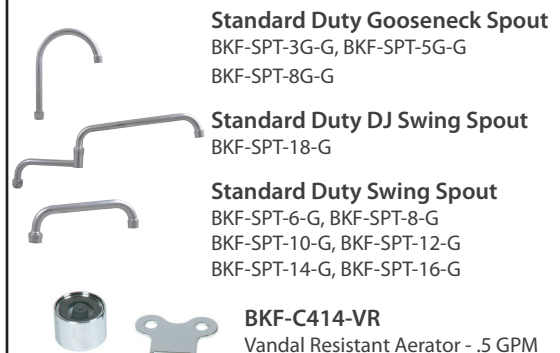
Model: BKF-8W-G, Lead Free



Exploded Parts Detail:

Diagram #	Quantity	Part Number	Description
1	1	BKF-AER	Aerator
2	1	BKF-SPT-XX-G	Spout
3	1	BKF-SPT-SPACER	Spacer
4	2	BKF-SPT-ORING	O-Ring
5	1	BKF-SPT-NUT	Spout Nut
6	2	BKF-SBH	Handle
7	2	(1) BKF-W-CV-G & (1) BKF-W-HV-G	Ceramic Valves
8	1	BKF-8W-XX-G	Faucet Body
9	2	BK-8W-ESC	Valve Mounting Nut
10	2	BK-8W-ESC-WASHER	0.63 O-Ring

Optional Spouts & Parts:



BK-DMMK-90
Faucet Mounting Kit - SOLD SEPARATELY

