

• **BD3632IS**

36-1/4"L x 32-1/4"D x 82-5/8"H



BD3632IS

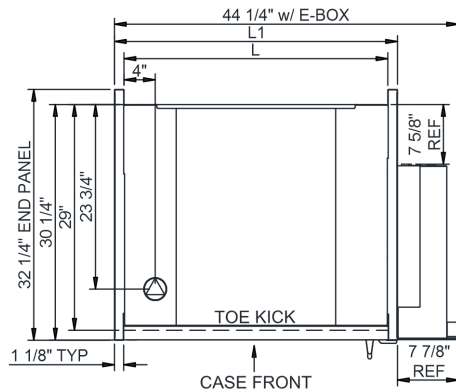
Included

- NOTE: BD3632IS - ARM Form required at time of PO
- Breeze~E (Type-II) w/ EnergyWise s/c refrigeration
- Clear glass swinging doors (self-closing)
- Condensate pan
- Hydrocarbon refrigerant (R290)
- Integrated average product temperature of 40°F or less
- LED shelf lights
- One piece formed ABS plastic tub
- One year parts & labor; 12 month compressor warranty
- Shelving removable and adjustable on 1" centers

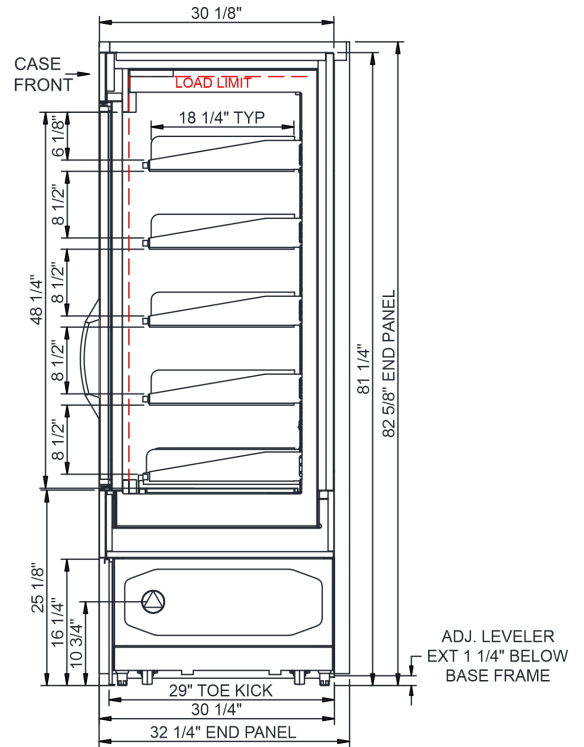
Specify	Standard Features	Additional Options
EXTERIOR COLOR	• Powder coated Silversan Black	
INTERIOR COLOR	• Powder coated Silversan Black	
BASE	• Casters w/ levelers	• Seismic levelers
END PANELS	• Full w/stainless steel interior	
SHELVING	• Metal shelves (4), lighted (LED)	
LIGHTS	• LED 4000K w/ frosted lens	
ELECTRICAL CONNECTION	• 6' Straight blade power cord (base exit)	
REFRIGERATION	• Breeze~E (Type-II) w/ EnergyWise s/c refrigeration	
MISCELLANEOUS		• Second year parts & labor warranty (excludes compressor)

Intended Environment: Type II - Designed to operate in ambient conditions of 80°F and 60% relative humidity unless noted otherwise in system information below.		
Zone	Intended Product To Be Displayed	Warmest Avg Prod Temp ° F
1	Packaged refrigerated products	40

PLAN VIEW



SIDE VIEW



NOTES:

1. E-BOX COMES WITH DESIGNATED POWER CORD
2. BD3632IS SELF-CONTAINED ACCESS ONLY BY PULLING OUT CONDENSER DRAWER
3. COMPRESSOR AIR FRONT INTAKE AND UPPER REAR DISCHARGE. LOWER FRONT PANEL CANNOT BE BLOCKED.

NOTE: ALL DIMENSIONS APPROXIMATE

- ELECTRICAL JUNCTION BOX**
(SUPPLIED WITH 6" LEADS OR POWER CORD).
- LOCATION OF DRAIN TUBE FOR REMOTE REF.**
ONLY (SUPPLIED WITH 3/4" OR 1 1/2" PVC TUBE).

- REFRIGERATION LINE CONNECTION.**
- REMOTE FLOOR SINK & UTILITIES**
ACCESS AREA.

- SELF-CONTAINED CASE SERVICE ACCESS AREA.**
- DRY CASE SERVICE ACCESS AREA.**

Model Technical Specifications																
Model	L"	L1"	L2"	System Circuit Volts		Phs	Freq	Amps ***	Watts	Wires	NEMA Plug	SST	Conv. Rack RTU#	Para. Rack RTU#	Est Wt	
BD3632IS	34.00	36.25	.00	None (N/A)	Circuit #2	1	60	1.00	15	2+G	5-15P or L5-15P	N/A	N/A	N/A	N/A	
				Self-Contained (R290)	Circuit #1	1	60	10.51	415	2+G	5-15P or L5-15P	N/A	N/A	N/A	N/A	

*** Does not include electric defrost on freezer models.

Regulatory Approvals:

All Models
 Accordance with AHRI Std 1200
 ETL Listed to UL 471
 ETL Listed to CAN/CSA 22.2 No. 120
 ETL Sanitation to NSF/ANSI 7



In Accordance with
AHRI Std 1200

DOE 2017
Energy Efficiency
Compliant

Important Notes:

- 1) BD3632ARM - ARM Form required at time of PO
- 2) ELECTRICAL NOTE: If GFCI is required, a GFCI breaker MUST be used in lieu of a GFCI receptacle
- 3) Performance issues (product temperatures, water on floor, etc.) caused by adverse conditions are not covered by warranty.
- 4) Keep unit at least 15' from exterior doors, overhead HVAC vents, or any air curtain disruption.
- 5) End panels must be tightly joined or kept at least 6" away from any structure to prevent condensation.
- 6) Do not expose unit to direct sunlight or any heat source (ovens, fryers, etc.).
- 7) Tile floors, low ceilings, or small rooms will increase noise level.
- 8) Rear Door option changes air discharge to lower rear.

⚠ WARNING: This product can expose you to chemicals, including Urethane (Ethyl Carbamate), which are known to the State of California to cause cancer and birth defects or other reproductive harm. For more information go to www.P65Warnings.ca.gov.

Note: Information is subject to change at any time. Visit www.structuralconcepts.com for the most current specs.

21925502 Revised 5-24-2023