

Amana[®]

Commercial

Project #: _____

Item #: _____



Model RFS12TS shown

Medium Volume

Amana Commercial Microwave Model RFS12TS

Power Output

- 1200 watts of power.
- Five power levels for consistent, delicious results for frozen, refrigerated and fresh foods - from the freezer to table in minutes.

Easy to Use

- 1.2 cubic ft. (34 liter) capacity accommodates a 14" (356 mm) platter and ideal for prepackaged foods.
- Up to 100 programmable menu items simplifies cooking and ensures consistent results.
- Four stage cooking option with one-touch programming. Reduces prep time, labor and food waste while providing consistent results.
- Controls are user friendly and require minimal training.
- Multiple quantity pad calculates the proper cook times for multiple portions.
- Time entry option adds flexibility.
- See-through door and lighted interior for monitoring without opening the door.
- Stackable to save valuable counter space.
- Interior ceramic shelf is sealed and recessed to reduce plate-to-shelf edge impact and keep spills contained.
- Braille touch pads for ADA compliance.

Easy to Maintain

- Stainless steel exterior and interior for easy cleaning and a professional look.
- Constructed to withstand the foodservice environment.
- Removable air filter and a clean filter reminder protects the oven components.
- Backed by the ACP, Inc. 24/7 ComServ Support Center, 866-426-2621.
- ETL Listed.

Medium Volume

This category of microwave is ideal for...

Applications:

- Prep stations
- Pubs
- Family restaurants

Through put potential:

- 6 oz. portion, refrigerated Macaroni & Cheese, 40+ per hour
- 1 baked potato, 17+ per hour
- 6 each (1.5 oz.) batch of refrigerated hamburger patties, 15 batches per hour (60 patties)

All ACP, Inc. commercial ovens are backed by our Culinary Center. Call us with any question regarding food preparation, menu development and cooking times. 866-426-2621.

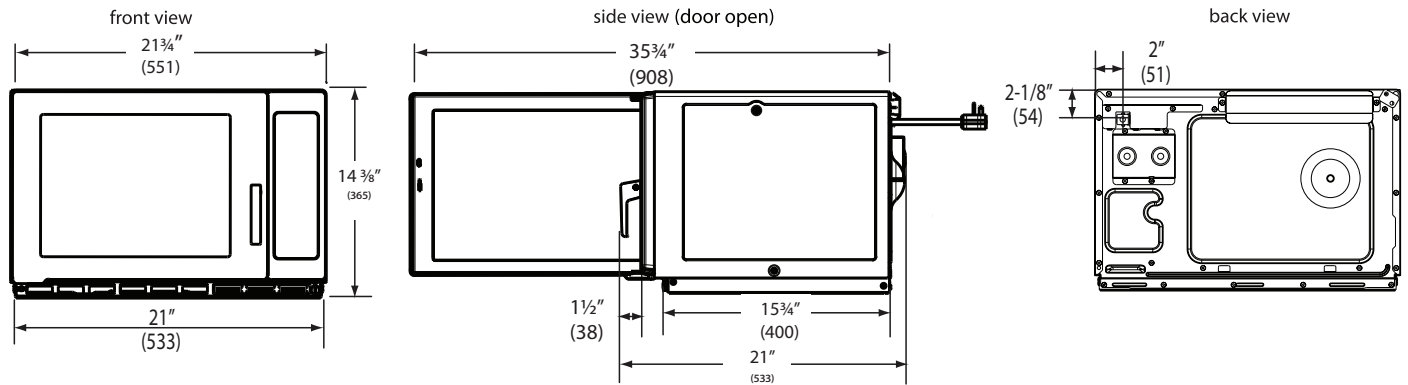


Part No. 20154735
Updated 6/17/16
Original Instructions



© 2016 ACP, Inc.
Cedar Rapids, Iowa 52404

Amana Commercial Microwave Model RFS12TS | Medium Volume



Installation Clearances - Top: 2" (51), Sides: 1" (25), Back: None

Drawings available from KCL CADlog - techs@kclcad.com

Specification #:

| Specifications | | | |
|---------------------------|--|-----------------------|-----------------|
| Model | RFS12TS | UPC Code 728028020878 | |
| Configuration | Countertop | | |
| Control System | Touch | | |
| Programmable Control Pads | 10 | | |
| Braille | Yes | | |
| Settings Programmable | 100 | | |
| Max. Cooking Time | 60:00 | | |
| Power Levels | 5 | | |
| Defrost | Yes | | |
| Time Entry Option | Yes | | |
| Microwave Distribution | Rotating antennas, top and bottom | | |
| Magnetron | 2 | | |
| Display | LED | | |
| Stackable | Yes | | |
| Stage Cooking | Yes, 4 | | |
| Interior Light | Yes | | |
| Door Opening | Lift and pull handle | | |
| Signal | Adjustable, end of cycle | | |
| Air Filter | Yes, removable with clean filter reminder | | |
| Multiple Quantity Setting | Yes, up to 2 portions | | |
| Exterior Dimensions | H 14 3/8" (365) | W 21 3/4" (551) | D** 21" (533) |
| Cavity Dimensions | H 8 7/8" (226) | W 14 1/8" (359) | D 16 1/4" (413) |
| Door Depth | 34" (864mm), 90°+ door open | | |
| Usable Cavity Space | 1.2 cubic ft. (34 liter) | | |
| Exterior Finish | Stainless steel | | |
| Interior Finish | Stainless steel with sealed-in ceramic shelf | | |
| Power Consumption | 2000 W, 16 A | | |
| Power Output* | 1200 W* Microwave | | |
| Power Source | 120V, 60 Hz, 20 A single phase | | |
| Plug Configuration / Cord | NEMA 5-20 | 5' (1.5 m) | |
| Frequency | 2450 MHz | | |
| Product Weight | 66 lbs. (30 kg.) | | |
| Ship weight (approx.) | 73 lbs. (33 kg.) | | |
| Shipping Carton Size | H 18 1/2" (467) | W 26 1/8" (663) | D 22 7/8" (581) |
| UPS Shippable | Yes | | |

Specifications

Commercial microwave 10 touch pad control panel shall be programmable with the ability to program up to 100 menu items and shall have automatic cooking capability for up to two portions. Touch pad shall include Braille for ADA compliance. Cooking timer shall be 60 minute, countdown style with a time entry option and an adjustable end of cycle audible signal. LED display shall be backlit. There shall be 5 power levels, 4 cooking stages and defrost mode. Microwave output shall be 1200 watts distributed by two magnetrons with rotating antennas to provide superior even heating throughout the cavity. Heavy duty door shall have a tempered glass window and a lift and pull handle with a 90°+ opening for easy access. An interior light shall facilitate monitoring without opening the door. The large 1.2 cubic ft. (34 liter) cavity shall accommodate a 14" (356 mm) platter. Interior ceramic shelf shall be sealed and recessed on oven bottom to reduce plate-to-shelf edge impact. Oven shall have a stainless steel interior and exterior and be stackable to save counter and shelf space. Air filter shall be easily accessible and removable from the front of the oven and have a "clean filter" reminder feature. Microwave oven shall comply with standards set by the U.S Department of Health and Human Services, ETL for safety and sanitation.



Warranty

Warranty Certificate for this product can be found on the ACP, Inc. website at:

www.acpsolutions.com/warranty

Service

All products are backed by the ACP, Inc. 24/7 ComServ Support Center.



AIA File #:

Measurements in () are millimeters

* IEC 60705 Tested

** Includes handle

Part No. 20154735
Updated 6/17/16
Original Instructions



© 2016 ACP, Inc.
Cedar Rapids, Iowa 52404