

# ADCRAFT®



## PO-18, PO-22 Pizza Oven

**This manual contains important information regarding your *Admiral Craft* unit. Please read this manual thoroughly prior to equipment set-up, operation and maintenance. Failure to comply with regular maintenance guidelines outlined in this manual may void the warranty. MUST READ!!!**

## WARNINGS

- Do not touch any hot surfaces
- Do not immerse unit, cord or plug in liquid at any time
- Do not plug or unplug unit with wet hands
- Do not store items on top of appliance
- Use appropriate gloves, pizza peels etc.
- Unplug cord from outlet when not in use and before cleaning
- Plug only into a 3-hole grounded electrical outlet
- Do not operate unattended
- Do not use this unit for anything other than intended use
- Do not use outdoors
- Keep children and animals away from unit
- Always use on a firm, dry and level surface at least 12" from walls or any other obstruction
- Do not use if unit has a damaged cord or plug, in the event the appliance malfunctions, or has been damaged in any manner
- Any incorrect installation, alterations, adjustments and/or improper maintenance can lead to property loss and injury. All repairs should be done by authorized professionals only
- Ensure that the designated power supply is adequate for continual usage and the voltage is correct

## TO USE

*Perform the following steps before using the pizza oven:*

- Remove all packaging within the oven. Oven should be completely empty before initial use.
- Unit will need approximately 2 to 3 hours to burn off. This could produce smoke or fumes and should be done in a well-ventilated area.
- It is recommended that the burn off should be done at 400° for the first hour with the oven door open. Then at 500° with the door closed for 90 minutes.

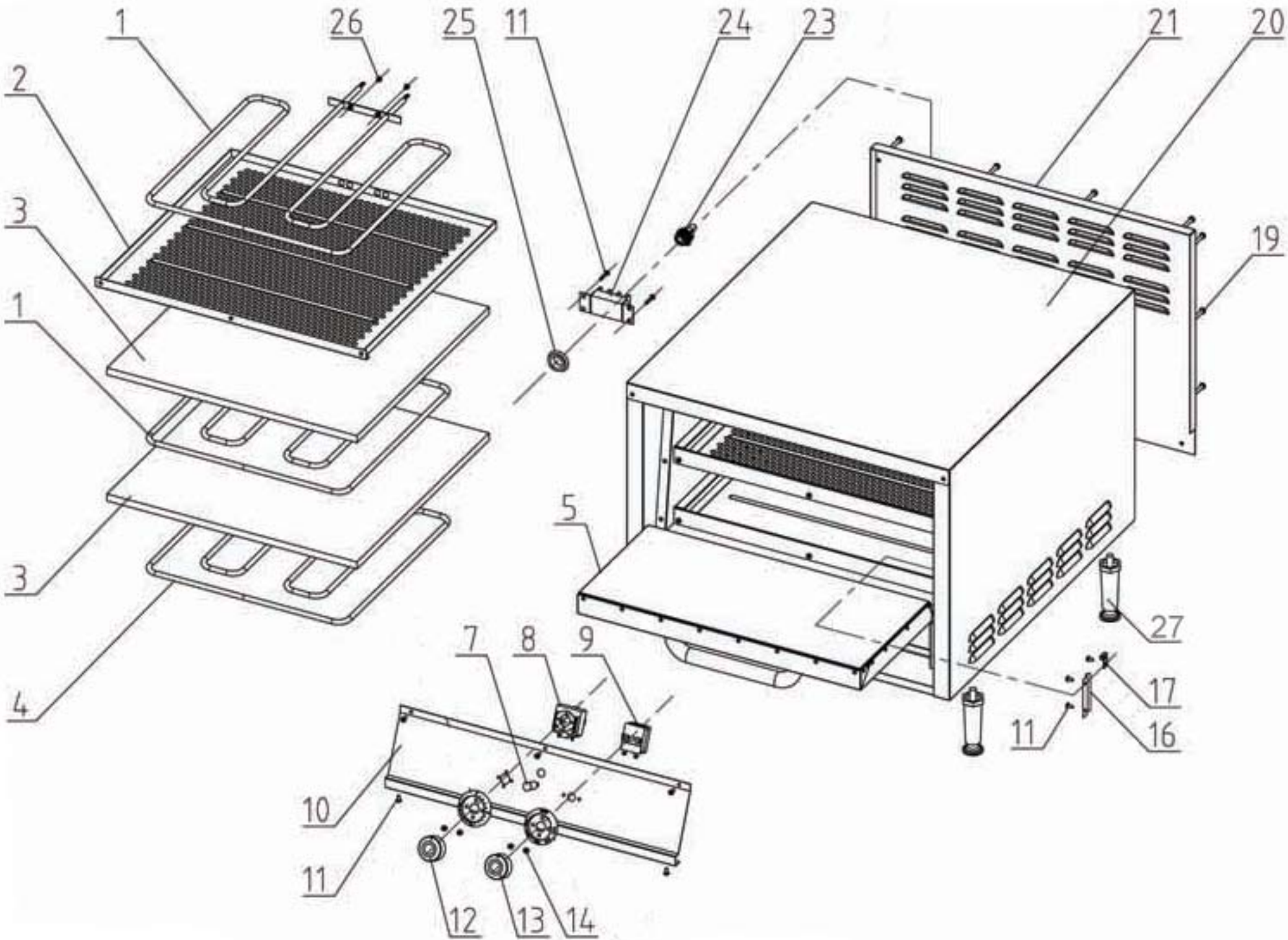
### *Operating the unit*

1. Preheat to desired temperature. When the oven reaches the set temperature, the indicator light will shut off and turn back on to maintain the temperature.
2. Make sure the baking decks are properly installed.
3. The only products that have contact with the pizza decks are **PIZZA** and **BREAD**. Place all other foods in appropriate baking tins.
4. Make sure oven is in well-ventilated area and unplug when not in use.

**CLEANING – NOTE:** To maintain cleanliness and increase service life, the pizza oven should be cleaned daily. Do not immerse the unit in water or any other liquid. If liquid enters the electrical compartment it may cause a short circuit or electrical shock.

1. Before cleaning or attempting to move, allow oven to cool down completely then unplug from outlet.
2. Do not immerse oven in water. Wipe outside of unit with a damp cloth then wipe dry.
3. Remove excess spillage. For tough areas, run the oven on the highest setting for 30 minutes. Allow oven to cool completely then remove residue with a brush/scrapper.
4. To avoid damage, do not use abrasive cleaners or scouring pads.
5. If soap or chemical cleaners are used, be sure they are completely rinsed away with clear water immediately after cleaning. Chemical residue could damage or corrode the surfaces of the unit.

PO-18  
PO-22



VER811

## Pizza Oven - PO-18 and PO-22

Reference Number	PO-18 Part Number	PO-22 Part Number	Description
1	PO1-1	PO2-1	Top and Middle Heating element
2			Top Heating Element Box
3	PO1-3	PO2-3	Ceramic Hearth Baking Shelf
4	PO1-4	PO2-4	Bottom Heating Element
5			Door
7	PO-7	PO-7	Temperature Indicator - Orange
8	PO-8	PO-8	Timer
9	PO-9	PO-9	EGO Thermostat
10			Control Panel
11			Screw- S/S
12	PO-12	PO-12	Timer Knob and Scale Plate
13	PO-13	PO-13	Thermostat Knob and Scale Plate
14			Screw- S/S
16			Thermostat Wire Support
17			Thermostat Probe Rack
19			Screw- Zinc Plated
20			Oven Body
21			Back Plate
23	PO-23	PO-23	Power Cord and Strain Relief
24	PO-24	PO-24	Terminal
25	PO-25	PO-25	Gasket
26			Screw- Zinc Plated
27	PO-27	PO-27	Steel Foot

VER811

## ACE Electrical Equipment One Year Warranty

ACE warrants its equipment against defects in materials and workmanship, subject to the following conditions: This warranty applies to the original owner only, and is not assignable.

ACE Electrical Equipment is warranted for one year, effective from the date of purchase by the original owner. A copy of the original receipt or other proof of purchase is required to obtain warranty coverage.

Should any product fail to function in its intended manner under normal use within the limits defined in this warranty, at ACE's discretion, such product will be repaired, replaced with a refurbished unit, or replaced with a new unit by ACE, after defective unit has been inspected and defect has been confirmed. ACE does not assume any liability for extended delays in replacing any item beyond its control. This warranty does not apply to rubber and non-metallic synthetic parts where usage, wear, or lack of preventative maintenance may create abnormal replacement rates, and these parts are excluded from this limited warranty.

This warranty covers products shipped into the 48 contiguous United States, Hawaii, and metropolitan areas of Alaska and Canada. Warranty coverage on products used outside the 48 contiguous United States, Hawaii and metropolitan areas of Alaska and Canada may vary. Contact ACE for details at 1-800-223-7750

The following conditions are not covered by warranty:

- Equipment failure relating to improper installation, improper utility connection or supply and problems due to improper ventilation.
- Equipment that has not properly been maintained, damage for improper cleaning, and water damage to controls.
- Equipment that has not been used in an appropriate manner, or has been subject to misuse, neglect, abuse, accident, alteration, negligence, damage during transit, delivery or installation, fire, flood, riot, or act of God.
- Equipment that has the model number or serial number removed or altered.
- Equipment on which the security seal has been broken.

If the equipment has been changed, altered, modified, or repaired without express written permission from ACE, then the manufacturer shall not be liable for any damages to any person or to any property, which may result from the use of this equipment thereafter.

This equipment is intended for commercial use only. Warranty is void if equipment is used in other than a commercial application.

In the event your repair is not covered under the stated warranty provisions, parts are available by calling 1-800-223-7750. Equipment not covered by repair should be picked up from our warehouse facility within 10 business days from notification date. Any and all arrangements and expenses for the return of this merchandise is your responsibility.

**“THE FOREGOING WARRANTY IS IN LIEU OF ANY AND ALL WARRANTIES EXPRESSED OR IMPLIED INCLUDING ANY IMPLIED WARRANTY OF MERCHANTABILITY OR FITNESS FOR PARTICULAR PURPOSES AND CONSTITUTES THE ENTIRE LIABILITY OF ACE. IN NO EVENT DOES THE LIMITED WARRANTY EXTEND BEYOND THE TERMS STATED HEREIN.”**

VER40111