



SINGLE FIXTURE TEMPERATURE CONTROLLER FOR HAND SINKS K-425

DESCRIPTION:

The thermostatic mixing valve is designed to maintain and limit hot water to a desired temperature between 80°F and 120°F (27°C and 49°C). The mixing valve is listed to ASSE Standard 1070 for single fixture Point-of-Use applications. It comes equipped with a high temperature limit stop and integral inlet check valves. These valves will hold a desired temperature within $\pm 3^\circ\text{F}$.

FEATURES:

- Dezincification resistant Bronze body
- Locking Control Knob
- Tamper Resistant Temperature Limit Stop
- Integral Check Valves
- Hot / Cold Water Failure Protection
- 3/8" Compression Tube / Braided Hose Connection
- Single Outlet for Sensor Faucets
- Made in the USA – ARRA Compliant

MATERIAL:

Body: ASTM B584 Bronze
 Shuttle: Modified PPO Noryl®
 O-ring: Chloramine Resistant EPDM
 Thermostat: Copper / Wax filled
 Spring: ASTM A313 Stainless Steel
 Handle: ABS Thermoplastic

PERFORMANCE RATINGS:

- Minimum Supply Pressure: 30psi
- Maximum Supply Pressure: 150psi
- Minimum HW Inlet/Outlet Temp. differential: 15°F
- Maximum HW/CW Pressure differential: 25%.
- Hot Inlet temperature range: 120°F-200°F (49°C- 93°C)
- Cold Inlet temperature range: 38°F-80°F (3.3°C- 27°C)
- Outlet Temperature Control: 80°F-120°F (27°C- 49°C)
- Flow Rates: 0.5* – 3.2 gpm

*Must use recirculation loop for <1.0 gpm flow

APPROVALS:

- ASSE 1070 "Performance Requirements for Water Temperature Limiting Devices"
- CSA B125.3-05 "Plumbing Fittings"

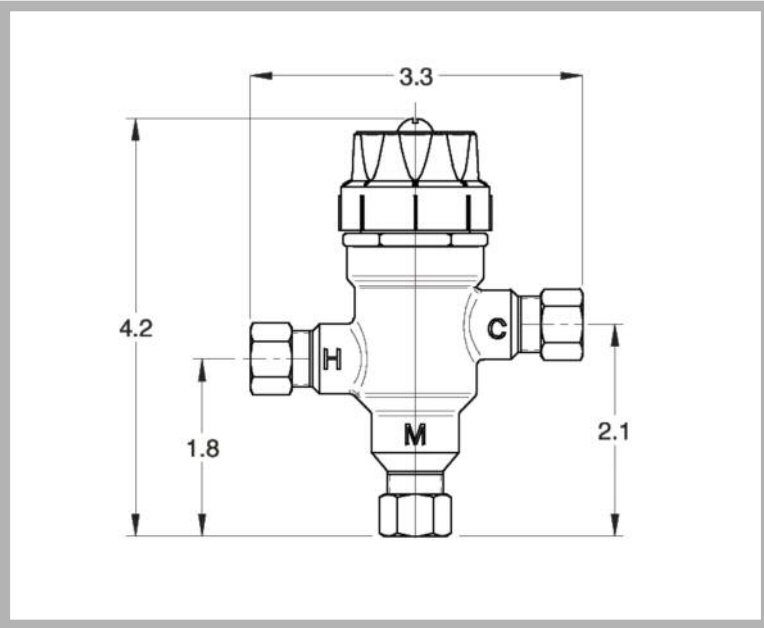


Item #: _____ *Qty #:* _____
Model #: _____
Project #: _____



DIMENSIONS and SPECIFICATIONS

TOL $\pm .500"$ ALL DIMENSIONS ARE TYPICAL



 www.advancetabco.com	Customer Service Available To Assist You 1-800-645-3166 8:30 am - 8:00 pm E.S.T. Email Orders To: customer@advancetabco.com. For Smart Fabrication™ Quotes, Email To: smartfab@advancetabco.com or Fax To: 631-586-2933			
	NEW YORK Fax: (631) 242-6900	GEORGIA Fax: (770) 775-5625	TEXAS Fax: (972) 932-4795	NEVADA Fax: (775) 972-1578