

# Accu Cut 300

Thanks to the ingenious and simple construction this new slicer is by far the most efficient / versatile and **affordable fixed weight / fixed thickness slicer** for fresh meat on the market.

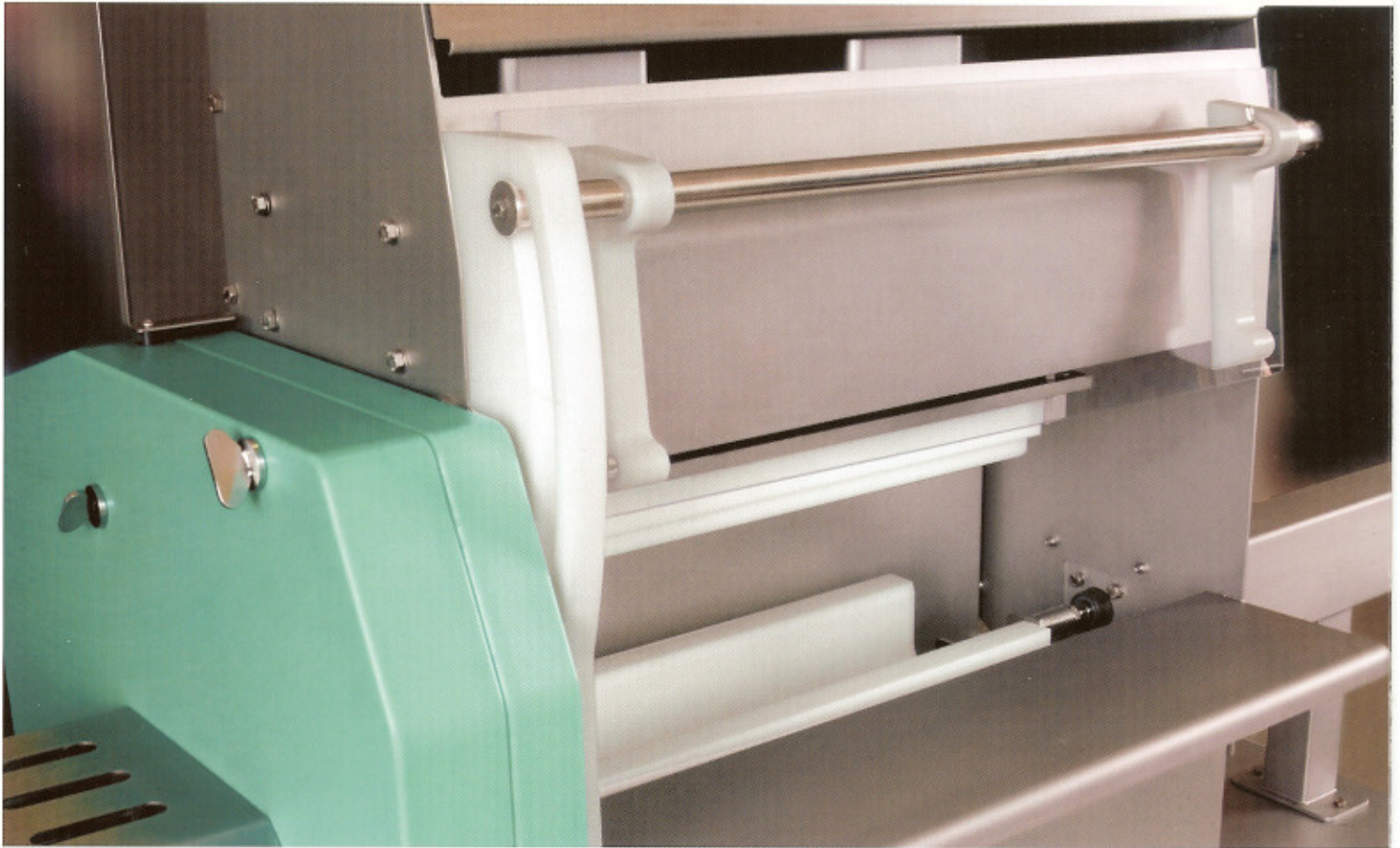


- ! Accuracy +/- 1 gram typically.
- ! Yield close to 99.5%
- ! Up to 60 cuts per minut.
- ! Possible to slice up to 700 Kg / hour.

- ! All steaks evenly thick.
- ! Easy to work with.
- ! Easy to clean.
- ! Low running & operating costs.
- ! Easy to load.



The **Accu Cut 300** is designed to slice from fresh and slightly tempered boneless whole muscle meat into exact weight portions of Beef, Pork, Turkey, Liver, also tumbled and cooked. Generally all meat that can be formed can be sliced.



Easy loading of products into the mould when operator safety hatch is open and starting of slicing just by closing the hatch. "Cani it be simpler"!



Operating touch screen panel and pushbuttons on right hand side of operator which makes them easy to access.

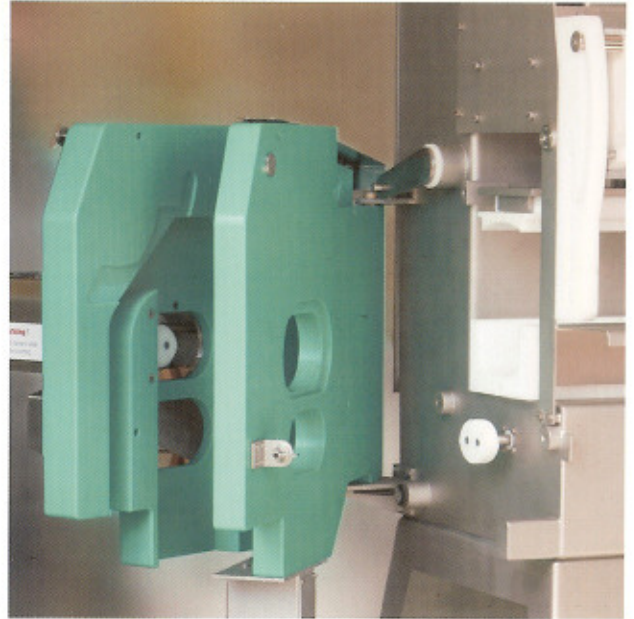


Designed for ergonomic operating for filling the mould with the product to be sliced and loading takes only a few seconds.





Easy adjustment of cut thickness / product weight by simply turning the handwheel. This eliminates the need for additional moulds for product weight thus saving in investment.



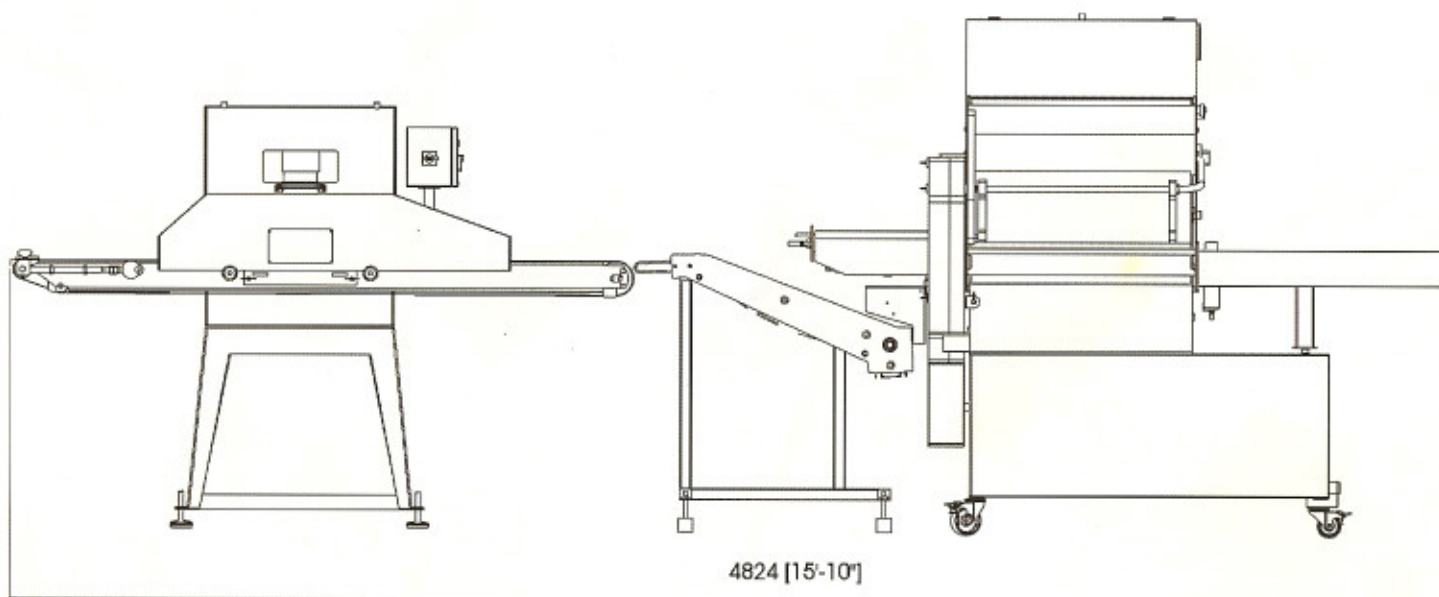
Extremely easy cleaning for excellent hygiene by opening the cutting chamber and removing the forming moulds. This is done in a few minutes.

**Pound.O.Matic 2500** automatic pounder for flattening steaks in line with the Accu Cut 300 slicer.



e  
g

Layout of the combination of Pound.O.Matic 2500 pounder conveyor and Accu Cut 300 slicer.



### **Pound.O.Matic 2500**

Technical specifications:

Capacity: Up to 7500 steaks/hour

Pounding force: 2000 kg

Pressing stroke: 50 mm

Thickness adjustment: 1-20 mm

Power supply: 3 phase 2.5 kw

Construction: Stainless

Operation: Automatic

Conveyor width: 300 mm

Dimensions: L 2100 x W 760 x H 1460

Weight: 210 kg

### **Conveyor**

Technical Specifications:

Construction: Stainless and  
food grade plastic

Power supply: 3 phase 40 W

### **Accu Cut 300**

Technical specifications:

Construction: Stainless steel  
and food grade plastic.

Control: PLC.

Operation: Pneumatic.

Power: Single phase 220V 0.2 kW

Pressure: 6 bar.

Weight: 370 kg

# **Windjammer Oy**

**Sorsantie 12  
10960 Hanko  
Finland**

**Phone: +358 19 2485881  
Fax: +358 19 2485880  
E:mail: [info@windjammer.fi](mailto:info@windjammer.fi)  
[www.windjammer.fi](http://www.windjammer.fi)**

Mon - ☎ 0358 400684540