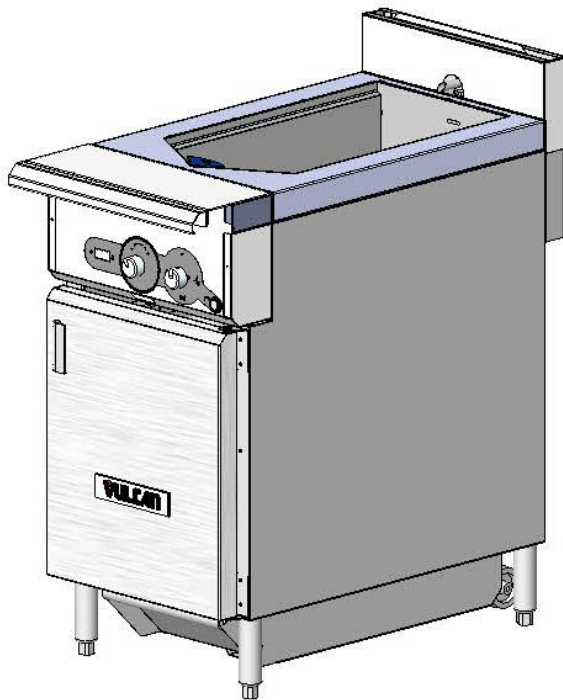


INSTALLATION & OPERATION MANUAL

VERSATILE CHEF STATION VULCAN MULTIFUNCTION COOKER Heavy Duty Units

ITW Food Equipment Group



MODELS:
VCS18
VCS36
VCS36D

www.vulcanequipment.com

www.wolfequipment.com

ITW Food Equipment Group, LLC
3600 North Point Blvd
Baltimore, MD 21222

RETAIN THIS MANUAL FOR FUTURE USE

FORM F47674 Rev. F (5-19)

IMPORTANT FOR YOUR SAFETY

THIS MANUAL HAS BEEN PREPARED FOR PERSONNEL QUALIFIED TO INSTALL ELECTRICAL AND GAS EQUIPMENT, WHO SHOULD PERFORM THE INITIAL FIELD START-UP AND ADJUSTMENTS OF THE EQUIPMENT COVERED BY THIS MANUAL.

POST IN A PROMINENT LOCATION THE INSTRUCTIONS TO BE FOLLOWED IN THE EVENT OF AN ELECTRICAL ISSUE OR IF THE SMELL OF GAS IS DETECTED. THIS INFORMATION CAN BE OBTAINED FROM THE LOCAL UTILITY COMPANY.

FOR YOUR SAFETY

Do not store or use gasoline or other flammable vapors or liquids in the vicinity of this or any other appliance.

WARNING

Improper installation, adjustment, alteration, service or maintenance can cause property damage, injury or death. Read the installation, operating and maintenance instructions thoroughly before installing or servicing this equipment.

IN THE EVENT OF A POWER FAILURE, DO NOT ATTEMPT TO OPERATE THIS DEVICE.

INSTALLATION, OPERATION AND CARE OF VULCAN MULTIFUNCTION COOKER UNITS

PLEASE KEEP THIS MANUAL FOR FUTURE USE

GENERAL

Vulcan Equipment is produced with quality workmanship and material. These units are designed with efficiency in cooking performance, sanitation and ease of cleaning ability in mind. Proper installation, usage and maintenance of your equipment will result in many years of satisfactory performance.

The manufacturer suggests that you thoroughly read this entire manual and carefully follow all of the instructions provided.

CAUTION

- These appliances are for professional use only, only persons with appropriate and adequate training should use them.
- Cooking appliances reach high temperatures. **USE CARE AT ALL TIMES** as burns may occur if handling utensils or components without adequate protection. Especially when handling the drain plug and drain pipe as they are in direct contact with the hot fluids and will get equally hot.
- Do not manually pour water into an empty tank when unit is hot. Water should only ever be introduced to the tank using the built in controls of the unit.
- Do not install unit next to open flames as grease laden vapors produced during cooking operations can be flammable and could ignite. If such installation can not be avoided, a fryer shield must be used between the units.
- Do not use the unit in Fryer or Boil modes unless the tank is filled with liquid between the minimum and maximum markings.
- Never drain the tank if the fluid temperature is above 125°F
- Oils should never be drained into a water drainage system. Always dispose of oils and other cooking effluent in proper disposal containers. **DO NOT ALLOW WATER AND HOT OIL TO MIX IN ANY RECEPTACLE, DAMAGE AND INJURY CAN RESULT.**
- **NEVER** clean this unit with high pressure jets or wash systems.
- **ALWAYS** disconnect unit from power supply before performing any kind of maintenance.
- **PROBLEMS CAUSED BY FAILURE TO COMPLY WITH THE INSTRUCTIONS CONTAINED IN THIS MANUAL WILL NOT BE COVERED BY WARRANTY.**

INSTALLATION

UNPACKING

This equipment was inspected before leaving the factory. The transportation company assumes full responsibility for safe delivery upon acceptance of the shipment. Immediately after unpacking, check for possible shipping damage. If the unit is found to be damaged, save the packaging material and contact the carrier within 5 days of delivery.

Carefully unpack unit(s) and place in the approximate installation position. Make sure to retain parts packed separately in their own boxes or shipped separately in finishing kit.

Before installing, verify that the electrical service agrees with the specifications on the rating plate located inside the front door of the unit. If the supply and equipment requirements do not agree, contact your dealer immediately.

LOCATION

The equipment area must be kept free and clear of combustible substances.

Installation clearances:

	<u>COMBUSTIBLE CONSTRUCTION</u>	<u>NON-COMBUSTIBLE CONSTRUCTION</u>
Back:	2"	0"
Right Side:	1"	0"
Left Side:	1"	0"

The installation location must allow adequate clearances for servicing and proper operation. A minimum front clearance of 35" (889 mm) is required.

The unit is suitable for installation on combustible floors when 6" (152 mm) adjustable legs or casters are used. When legs or casters are removed, use only on noncombustible floors, curb, or platform, with front appliance base projecting 3" (76 mm) beyond curb or platform.

The unit(s) must be installed so that the flow of ventilation air will not be obstructed.

The unit requires connection to a fresh water supply. The unit is provided with a 48" connection hose with standard 3/4" GHT threaded faucet adapter. Do not attempt to modify or replace this hose as it is part of the safety systems of this unit. If hose is not long enough to reach the water supply, a short hose extension may be used, or the water supply may be piped to the location of the unit by a licensed plumber.

PURGE AIR FROM LINE PRIOR TO OPERATION TO PREVENT WATER SURGE AND SPLATTER.

This unit may be supplied with an optional gas manifold for insertion into a battered range lineup. In this case, ensure that all gas connections are leak free before operations and that only a licensed gas plumbing technician performs service to the unit.

INSTALLATION CODES AND STANDARDS

Your Vulcan Unit must be installed in accordance with:

In the United States of America:

1. State and local codes.
2. National Electrical Code ANSI/NFPA-70 (latest edition) available from the National Fire Protection Association, Batterymarch Park, Quincy, MA 02269.
3. NFPA Standard # 96 Vapor Removal from Cooking Equipment , latest edition, available from the National Fire Protection Association, Batterymarch Park, Quincy, MA 02269.

In Canada:

1. Canadian electrical code C22.1 Part 1 (latest edition).

LEG/CASTER ASSEMBLY

The unit is provided with 6"(152 mm) adjustable stainless steel legs (hardware included). A set of 6"(152 mm) casters (adjustable or non- adjustable) are available as an optional field installable accessory.

Installation of Legs/Casters:

1. Carefully tip unit on its side.
2. Thread leg/caster mounting stem into weld nuts provided on the bottom of unit located in each of the four corners.
3. After all legs/casters have been installed, carefully return the unit to its upright position.
(For additional leg information, see -LEVELING section of this manual).

A permanently connected appliance mounted on casters and intended to be secured to the building structure should adhere to the following:

- Adequate means must be provided to limit the movement of the appliance without depending on or transmitting stress to the electrical conduit
- The location(s) where restraining means are to be attached to the appliance needs to be on the outside rear parts of the chassis frame. Use the connection points provided.
- The appliance shall be installed using a flexible conduit.

If the unit is installed on casters and is moved for any reason, it is recommended that it be re-leveled front to back and side to side before resuming operation.

LEVELING

To level the unit, place a carpenter's level on the unit top and check leveling of the unit side to side and front to rear. Achieve leveling by turning each foot section of the unit's leg as needed. Turning the foot in a counter clockwise direction will increase height and clockwise will decrease.

DRAIN

Unit comes equipped with a drain pipe for emptying the contents of the tank for disposal. A catch basin for this drain must be put in place before attempting to use the unit. This can be accomplished through the use of the optional Drain Caddy, a standard $\frac{1}{2}$ or $\frac{2}{3}$ size hotel pan, or through connecting the unit to a floor drain. If using a floor drain, ensure that plumbing and waste effluent are in compliance with all local codes. **DO NOT DISPOSE OF USED GREASE OR OIL THROUGH A FLOOR DRAIN.**

ELECTRICAL CONNECTIONS

⚠ WARNING Electrical and grounding connections must comply with the applicable portions of the National Electrical Code and/or other local electrical codes.

⚠ WARNING Disconnect the electrical power to the machine and follow Lockout / Tagout procedures.

The unit is designed for 208 or 240 volt, three phase power supply only. Do not attempt to connect the unit to any other type of power supply, the unit will not operate on a single phase supply. The unit has a current draw of 25 amps per leg, make sure to use the appropriate size disconnect for your locality.

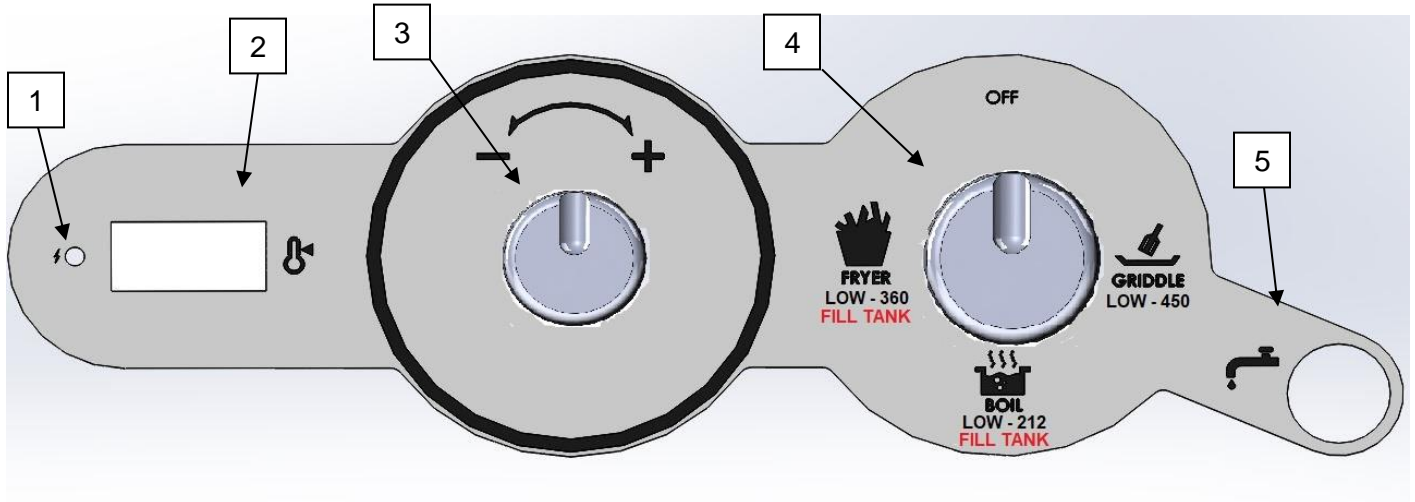
Position the unit in its final location. Bring conduit containing the proper supply wire to the unit through the knock out located on the back of the unit. Select the size and type of field wire in accordance with the National Electrical Code suitable for carrying the equipment's rated amps and voltage. Use field wires suitable for 75°C (167°F).

Connect supply leads to field terminal block and grounding lead to the labeled ground lug. The supply wire should be anchored through the access hole with a bulkhead fitting.

OPERATION

⚠ WARNING The appliance and its parts are hot. Use care when operating, cleaning, or servicing the appliance.

CONTROLS



1. Power Indicator — Green LED light is on when the unit is connected to power.

2. Temperature Display — Displays current temperature (in degrees F) of the tank surface when in Griddle mode, or of the cooking fluid when in Boil or Fryer modes. Will momentarily display current set point when Temperature Adjustment Knob is pressed.

3. Temperature Adjustment Knob — Allows the operator to adjust the cooking temperature of the unit. In Griddle mode, this adjusts the temperature of the tank surface. In Boil and Fryer Modes, this adjusts the temperature of the cooking fluid. Pressing this knob will cause the current unit set point to be displayed for 3 seconds. Turn clockwise to increase temperature, counterclockwise to decrease temperature. Temperature will adjust in single degree increments below 220°F and five degree increments above 220°F.

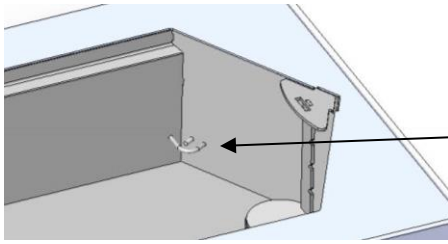
4. Selector Knob — Activates unit for use and allows operator to choose the cooking mode.

Griddle Mode – Allows unit to be used as a griddle, with temperatures adjustable from Room Temperature to 450°F. Temperatures displayed in this mode are those of the tank surface.

Boil Mode – Allows unit to be used for steaming, boiling, bain marie, and water bath cooking. Temperatures are adjustable from Room Temperature to 212°F. Temperatures displayed in this mode are those of the water in the tank.

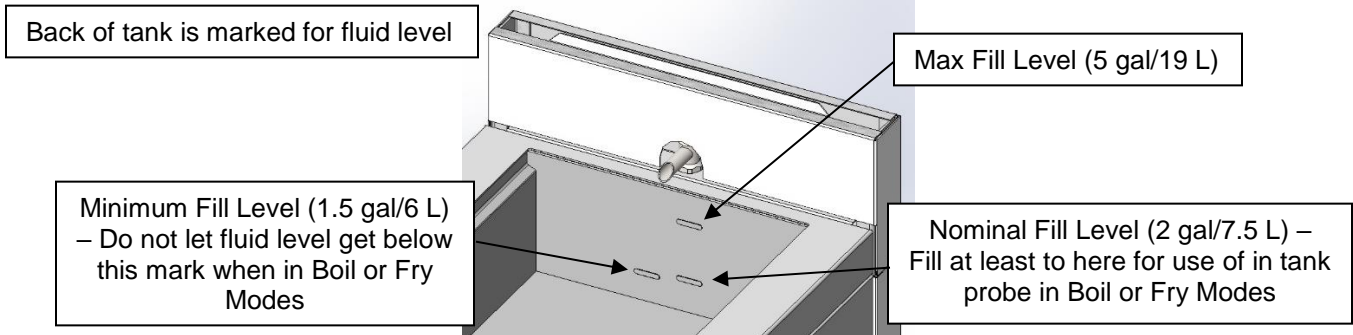
Fryer Mode – Allows unit to be used for shallow frying and tempura. Temperature defaults to 360°F, but is adjustable from Room Temperature to 360°F. Temperatures displayed in this mode are those of the cooking fluid in the tank.

OFF – Deactivates the unit at the end of the operating day. DOES NOT CUT POWER TO THE UNIT, NOT AN ADEQUATE DISCONNECT FOR UNIT SERVICE.



In Tank Probe – used to provide temperatures in BOIL and FRYER modes. TANK MUST BE FILLED AT LEAST TO MINIMUM FILL MARKING IN THESE MODES FOR PROPER OPERATION

5. Water Button — Activates water flow from built in unit faucet. Single press will activate a continuous flow of water, press again to end. Continuous press will activate a flow of water that ends when the button is released. FOR SAFETY PURPOSES, the button is not active during Fryer Mode and when tank surface temperature is above 260°F.



BEFORE FIRST USE

Remove all protective paper from the unit before turning on. Paper is left in place to protect the finish and help prevent scratches during shipping and placement of the unit. Failure to remove the paper before heating can result in permanent marking of the finish and/or the inability to fully remove the paper.

Clean all cooking surfaces thoroughly with water and a non-chlorinated soap. Rinse to remove all soap residue.

NOTICE The tank surface is stainless steel. Chlorinated cleaners can corrode this surface, as can prolonged exposure to salt. Do not use chlorinated cleaners on the unit and always clean the tank thoroughly to remove salt residue after use.

SEE “CLEANING” ON PAGE 10 FOR FULL INSTRUCTIONS ON HOW TO PROPERLY CARE FOR UNIT

FIRST OPERATION

Unit comes equipped with a drain plug and a drain pipe for emptying of the tank. Ensure that both are in place before attempting to use the unit. Failure to do so may result in effluent flooding the interior of the unit. In the event that this occurs, turn the unit off and disconnect from power source. Clean the interior of the unit thoroughly and ensure that no standing liquid remains before reconnecting and resuming operation.

Tank surface is stainless steel and does not require seasoning prior to use, although it is recommended to apply a thin coat of oil or other non-stick spray whenever using the unit in Griddle mode.

To begin use, ensure that drain plug and drain pipe are in place and that an adequate catch basin is in place for effluent. This can be the optional Drain Caddy, a standard hotel pan of ½ or ¾ size, or a dedicated floor drain. Ensure that unit door is closed securely and that water supply is turned on and purged of air.

Unit is ready to use.

NORMAL OPERATION

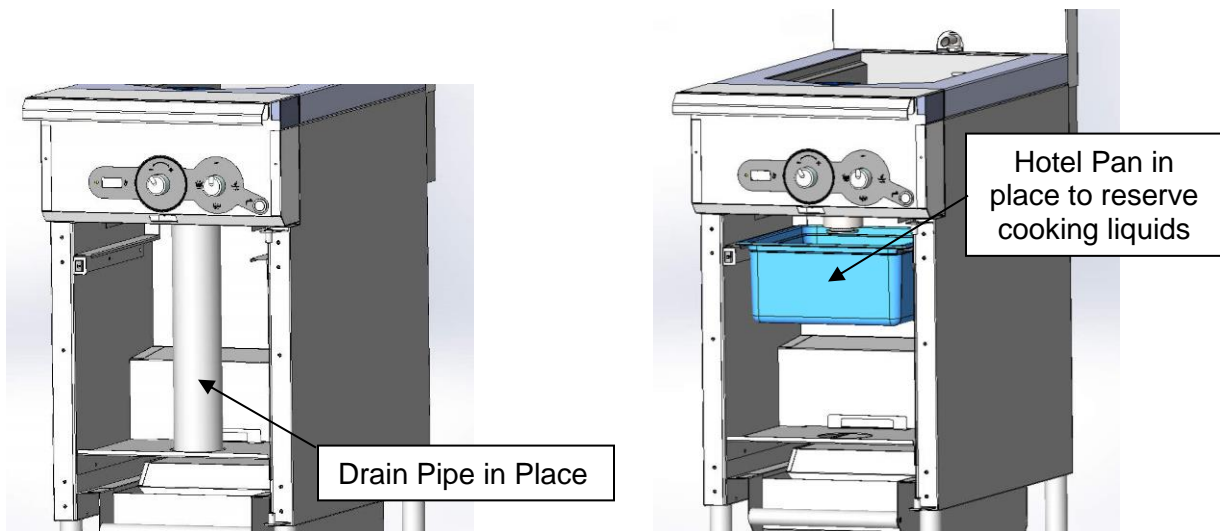
GRIDDLE MODE

Griddle mode can be used to perform sauté work, braising, griddle cooking, melting (sugar, chocolate, etc), and hot plate work. Griddle mode is entered by turning the Selector Knob to GRIDDLE and turning the Temperature Adjustment Knob to the desired cooking temperature. Any temperature between Room Temperature and 450°F can be selected.

All cooking in Griddle mode will be performed directly on the bottom surface of the tank and the temperature displayed while in this mode is the temperature of this surface. On initial heat up, unit will reach desired temperature in five minutes or less. When desiring to cook at a lower temperature than the current setting, adjust the Temperature Adjustment Knob to the desired lower temperature and allow the unit adequate time to cool before beginning next operation.

HINT: When performing multiple cooking operations requiring different temperatures, for the most efficient use of time and energy, start with the lowest temperature first and move to higher temperatures in progressive order. Stage changes to lower cooking temperatures to coincide with cleanout of the tank so that the use of water can help bring the temperature down quickly.

HINT: When using the unit for braising, it is possible to retain and reserve the liquid for use in sauces. To do so, ensure that the unit drain is clean and free from contaminating substances. Ensure that drain plug is in place and firmly seated. Open the front door of the unit and remove the drain pipe. Place a ½ or ⅔ size hotel pan on the rails provided, ensuring that the pan is positioned under the tank drain and is of adequate size to hold the amount of liquid being used. When braising is complete, lift drain plug and catch liquid in pan. Replace drain plug, carefully remove pan with liquid, then replace drain pipe, ensuring that pipe is securely fastened in place before closing front door and resuming normal operations.

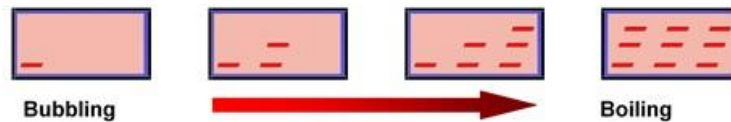


BOIL MODE

Boil mode can be used to steam, boil, poach, and water bath cooking as well as be used as a bain marie. When the unit is in Boil mode, the tank **MUST** be filled with water at least to the minimum marking. Failure to do so may result in damage to the unit. While the unit is in Boil mode, the water button is active and can be used at any time. The temperature displayed will be the temperature of the water itself.

To begin using Boil mode, ensure that the tank is clean of any contaminating substances and ensure that the drain plug is firmly seated in place to close the drain. Turn the Selector Knob to the BOIL setting and begin filling the tank for use.

- To steam – fill the tank to a point between the minimum and maximum markings. Set the temperature for the amount of steam desired. 170°F for a gentle steam, 212°F for a vigorous steam. Place items to be steamed into a standard steam pan and place so that pan sits on upper ledges of tank. Cover tank with the covers provided with the unit. **USE PROVIDED HANDLES TO PLACE AND REMOVE COVERS, AS COVERS WILL BECOME HOT WITH USE AND MAY CAUSE BURNS.** Be sure to periodically check the water level and add fresh water as needed to prevent level from falling below minimum.
- To boil – fill the tank to a point at or just below the maximum marking. Set the temperature for 212°F, or use the duty settings (shown below) to set the vigor of the boil. Refill tank as necessary.



- To poach or cook with a water bath – fill the tank to a point between the minimum and maximum markings. Set the temperature for the desired water temperature. Unit can be covered using the provided covers to conserve energy, or left open, the unit will maintain the water temperature as set.

FRYER MODE

Fryer mode can be used for shallow frying and tempura. When the unit is in Fryer mode, the tank **MUST** be filled with oil at least to the minimum marking. Failure to do so may result in damage to the unit. While the unit is in Fryer mode, the water button is **NOT** active and **CANNOT** be used at any time. The temperature displayed will be the temperature of the oil.

To begin using Fryer mode, ensure that the tank is clean of any contaminating substances and ensure that the drain plug is firmly seated in place to close the drain. Fill the tank with oil for use to at least the minimum level marking, then turn the Selector Knob to the FRYER setting and set desired oil temperature. **WATER SYSTEM IS DISABLED IN FRYER MODE, INTRODUCTION OF WATER TO HOT OIL CAN RESULT IN INJURY FROM SPLATTER. DO NOT ATTEMPT TO INTRODUCE WATER TO TANK WHILE FILLED WITH OIL.**

WHEN FINISHED FRYING:

Allow oil to cool to a safe temperature before attempting to drain. **ENSURE THAT APPROPRIATE RECEPTACLE IS IN PLACE AND THAT RECEPTACLE DOES NOT CONTAIN ANY WATER BEFORE OPENING DRAIN, FAILURE TO DO SO CAN RESULT IN DAMAGE AND INJURY.** Once appropriate receptacle is in place, open drain and allow oil to drain completely into receptacle. Very carefully remove receptacle and dispose of oil according to local regulations. **DO NOT PUT USED OIL DOWN A DRAIN INTENDED FOR WASTE WATER.**

Tank may then be cleaned as normal and prepared for next use.

POWER OUTAGE

If a power outage occurs, the unit will cease to function. When power is restored, the unit will automatically resume normal functions if controls are still in an active configuration. In order to prevent damage or injury, turn Selector Knob to OFF during the power outage. When power is restored, resume operation as normal.

The unit controls include a temperature sensor that will automatically stop the cooking cycle if high temperatures are detected in the cabinet. In this event, the display will briefly show error code "EE1", then if the overheat condition persists, it will show "EE2" and shut down the elements. The display will continue to show the temperature of the tank, but all heating will cease. In order to reset the controls and resume cooking, the unit must be allowed to cool sufficiently, then switched off before selecting the desired cooking mode and setting the desired temperature. If this occurs repeatedly, the unit is in too hot an environment and steps must be taken to isolate it from heat sources.

CLEANING

⚠ WARNING ENSURE THAT UNIT IS TURNED OFF AND POWER SUPPLY IS DISCONNECTED BEFORE CLEANING.

DO NOT use Dawn® dish detergent to clean the unit. This detergent contains chlorine and is harmful to stainless steel.

DO NOT use scouring powders. It is very difficult to remove completely and can cause build ups that will damage the unit.

DO NOT use cleaning products containing TSC or sodium hydroxide.

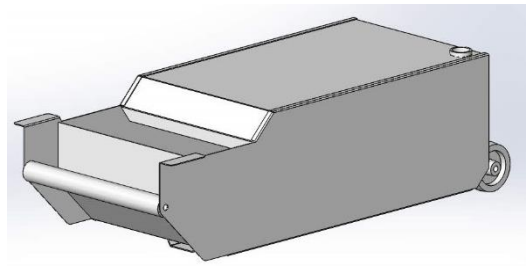
All cooking components of the unit are stainless steel and should be cleaned thoroughly with warm water and a mild detergent at the end of each cooking shift.

For changeovers from one cooking type to another during a cooking shift, the degree of cleaning must be commensurate with the needs of the cooking type. Cooked on debris can be scraped loose from the tank surface with a spatula or scouring pad. Use only stainless or plastic utensils to avoid degrading the stainless steel of the tank and unit body. Only use the built in water to rinse, **DO NOT POUR WATER ONTO THE UNIT** using a bucket or other means.

Drain plug with attached trap should be removed and cleaned at least once per day. Take care not to damage or dislodge the O-ring seal on the drain plug. Damage to the O-ring will cause the drain plug to leak.

If any spills occur inside the unit, immediately disconnect the unit from power and clean thoroughly. **DO NOT REMOVE THE PROTECTIVE COVER**, doing so will increase the risk of electric shock or damage to the unit. Use a squeegee or towel to push standing liquids through the drain hole into an acceptable receptacle or drain and clean any stains or food items from the inside of the cabinet. Failure to do so can result in corrosion or unsanitary conditions.

OPTIONAL DRAIN CADDY: If you have purchased the optional Drain Caddy, it is designed to hold approximately the same volume of liquid as the tank. Therefore, it has only enough capacity to catch one full emptying of the tank before it will need to be emptied itself. If disposing of small amounts of liquid at a time, open the unit door and check the fluid level in the Caddy often to avoid overflow conditions.



When Drain Caddy is ready to be emptied, open the unit door and grasp Caddy handle firmly. Use caution when pulling the Caddy out from the unit, as Caddy can be hot and Caddy handle can be slippery from moisture or fluid splash. Lift the Drain Caddy into an angled or full upright position as you draw it out from the unit so that the contents do not splash out of the Caddy. Use the handle to wheel the Caddy to a proper disposal area. The Drain Caddy can be emptied by either tipping it to allow fluid to pour out of the main opening, or by removing the drain plug while Caddy is in upright position. **DO NOT DISPOSE OF OILS IN A WATER DRAINAGE SYSTEM,** always use the appropriate disposal container for the effluent in use.

To clean the Drain Caddy, use warm water and a mild detergent to thoroughly clean the inside and outside of the body. The Drain Caddy is stainless steel, but food residue left in place can cause corrosion. Rinse Drain Caddy thoroughly and allow to dry before replacing drain plug and returning to service.

MAINTENANCE

⚠ WARNING The appliance and its parts are hot. Use care when operating, cleaning, or servicing the appliance.

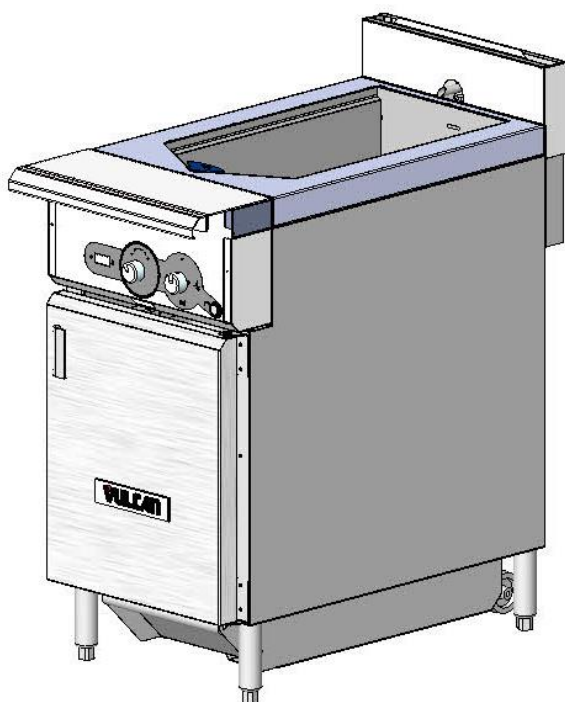
⚠ WARNING Always disconnect unit from power supply and follow lockout/tagout procedures before servicing the appliance.

Due to the electronic nature of the controls, there are no user serviceable items on the unit. Please contact the Vulcan-Hart Service Department in your area to schedule any required service or repairs.

MANUEL D'INSTALLATION ET D'UTILISATION

STATION DE CHEF ÉRSATILE CUISEUR MULTIFONCTIONS VULCAN Heavy Duty Units

ITW Food Equipment Group



DES MODÈLES:

VCS18

VCS36

VCS36D

www.vulcanequipment.com

www.wolfequipment.com

ITW Food Equipment Group, LLC
3600 North Point Blvd
Baltimore, MD 21222
CONSERVER CE MANUEL POUR
UTILISATION FUTURE

FORM F47674 Rev. F (5-19)

IMPORTANT POUR VOTRE SECURITE

CE MANUEL A ÉTÉ PRÉPARÉ POUR LE PERSONNEL HABILITÉ À INSTALLER DES ÉQUIPEMENTS ÉLECTRIQUES ET À GAZ, QUI DEVRAIT EFFECTUER LA MISE EN MARCHÉ INITIALE ET LES RÉGLAGES DE L'APPAREIL COUVERT PAR CE MANUEL.

POSTER DANS UN EMPLACEMENT IMPORTANT LES INSTRUCTIONS À SUIVRE EN CAS DE PROBLÈME ÉLECTRIQUE OU SI UNE ODEUR DE GAZ EST DÉTECTÉE. CETTE INFORMATION PEUT ÊTRE OBTENUE À L'ENTREPRISE LOCAL UTILITY COMPANY .

POUR VOTRE SÉCURITÉ

Ne pas stocker ni utiliser d'essence ou d'autres liquides ou vapeurs inflammables à proximité de cet appareil ou de tout autre appareil électroménager..

WARNING

Une installation, un réglage, une modification, un entretien ou une maintenance incorrects peuvent causer des dommages matériels, des blessures voire la mort. Lisez attentivement les instructions d'installation, d'utilisation et de maintenance avant d'installer ou de réparer cet

EN CAS DE PANNE DE COURANT, NE PAS ESSAYER DE FAIRE FONCTIONNER CET APPAREIL..

INSTALLATION, UTILISATION ET ENTRETIEN DU CUISEUR MULTIFONCTION VULCAN

VEUILLEZ CONSERVER CE MANUEL

GÉNÉRAL

Équipement vulcan est produit avec une finition et un matériel de qualité. Ces appareils ont été conçus pour optimiser les performances de cuisson, l'assainissement et la facilité de nettoyage. Une installation, une utilisation et une maintenance correctes de votre équipement se traduiront par de nombreuses années de performances satisfaisantes.

Le fabricant vous suggère de lire attentivement l'intégralité de ce manuel et de suivre scrupuleusement toutes les instructions fournies.

MISE EN GARDE

- Ces appareils sont exclusivement destinés à un usage professionnel. Seules les personnes ayant une formation appropriée et adéquate doivent les utiliser.
- Les appareils de cuisson atteignent des températures élevées. **PRENEZ SOIN À TOUT MOMENT**, des brûlures peuvent survenir si vous manipulez des ustensiles ou des composants sans protection adéquate. En particulier lors de la manipulation du bouchon de vidange et du tuyau de vidange car ils sont en contact direct avec les fluides chauds et deviennent tout aussi chauds.
- Ne pas verser manuellement de l'eau dans un réservoir vide lorsque l'appareil est chaud. L'eau ne doit jamais être introduite dans le réservoir à l'aide des commandes intégrées de l'unité.
- N'installez pas l'appareil à proximité de flammes nues, car les vapeurs chargées de graisse dégagées pendant les opérations de cuisson peuvent être inflammables et s'enflammer. Si une telle installation ne peut être évitée, un écran de friteuse doit être utilisé entre les unités.
- N'utilisez pas l'appareil en mode Friteuse ou en ébullition à moins que le réservoir ne soit rempli de liquide entre les repères minimum et maximum.
- Ne jamais vider le réservoir si la température du liquide est supérieure à 125 ° F
- Les huiles ne doivent jamais être drainées dans un système de drainage de l'eau. Éliminez toujours les huiles et autres effluents de cuisson dans des conteneurs appropriés. **NE PERMETTEZ PAS À L'EAU ET À L'HUILE CHAUDE DE SE MÉLANGER DANS UN RÉCIPIENT OU DES DOMMAGES OU DES BLESSURES PEUVENT EN RÉSULTER.**
- **NE JAMAIS** nettoyer cet appareil avec des jets à haute pression ou des systèmes de lavage.
- **TOUJOURS** débrancher l'appareil de l'alimentation électrique avant d'effectuer tout type de maintenance.
- **LES PROBLÈMES CAUSÉS PAR LE NON-RESPECT DES INSTRUCTIONS CONTENUES DANS CE MANUEL NE SERONT PAS COUVERTS PAR LA GARANTIE.**

INSTALLATION

DÉBALLAGE

Cet équipement a été inspecté avant de quitter l'usine. La société de transport assume l'entière responsabilité de la livraison en toute sécurité dès l'acceptation de l'envoi. Immédiatement après le déballage, vérifiez les éventuels dommages dus au transport. Si l'appareil s'avère endommagé, conservez le matériel d'emballage et contactez le transporteur dans les 5 jours suivant la livraison.

Déballer soigneusement les unités et placez-les dans la position d'installation approximative. Assurez-vous de conserver les pièces emballées séparément dans leurs propres cartons ou expédiées séparément dans le kit de finition.

Avant de procéder à l'installation, vérifiez que le service électrique est conforme aux spécifications de la plaque signalétique située à l'intérieur de la porte avant de l'unité. Si les conditions d'approvisionnement et d'équipement ne concordent pas, contactez immédiatement votre revendeur.

EMPLACEMENT

La zone de l'équipement doit être libre de tout corps combustible.

Dégagements d'installation:	<u>COMBUSTIBLE CONSTRUCTION</u>	<u>NON-COMBUSTIBLE CONSTRUCTION</u>
Retour:	2"	0"
Côté droit:	1"	0"
Côté gauche:	1"	0"

Le lieu d'installation doit permettre un dégagement suffisant pour l'entretien et le bon fonctionnement. Un dégagement avant minimum de 35 "(889 mm) est requis.

L'appareil est conçu pour être installé sur des sols combustibles lorsque des pieds ou des roulettes réglables de 152 mm (6 ") sont utilisés. Lorsque vous retirez les pieds ou les roulettes, utilisez-le uniquement sur des planchers, des bordures ou des plates-formes incombustibles, avec une base d'appareil avant dépassant mm) au-delà du trottoir ou de la plate-forme.

Le ou les appareils doivent être installés de manière à ce que le flux d'air de ventilation ne soit pas obstrué.

L'unité nécessite une connexion à une source d'eau douce. L'unité est fournie avec un tuyau de raccordement de 48 " avec un adaptateur de robinet fileté 3/4" GHT standard . N'essayez pas de modifier ou de remplacer ce tuyau, car il fait partie des systèmes de sécurité de cet appareil . Si le tuyau est pas assez long pour atteindre l'alimentation en eau, à une courte extension de tuyau peut être utilisé, ou l'approvisionnement en eau m ay être é pip à l'emplacement de l'unité par un plombier agréé.

PURGER L'AIR DE LA CANALISATION AVANT L'EXPLOITATION AFIN D'EVITER LES SURTENSIONS D'EAU LES ECLATS.

Cette unité peut être fournie avec un distributeur de gaz en option pour une insertion dans une gamme de gamme batteried. Dans ce cas, assurez-vous que tous les raccordements de gaz ne fuient pas avant toute opération et que seul un technicien agréé en plomberie pour gaz assure la maintenance de l'appareil.

CODES D'INSTALLATION ET NORMES

Votre unité Vulcan doit être installée conformément aux:

Aux États-Unis d'Amérique:

1. Etat et local codes.
2. Code électrique national ANSI / NFPA-70 (dernière édition) disponible auprès de la National Fire Protection Association, Parc Batterymarch , Quincy, MA 02269 .
3. Norme NFPA n ° 96 sur l' élimination des vapeurs de l' équipement de cuisson , dernière édition disponible de la nationale Feu protection Association, Batterymarch Parc, Quincy, MA 02269.

Au Canada :

1. Code canadien de l'électricité C22.1, partie 1 (dernière édition).

ASSEMBLAGE DES JAMBES / ROUES

L' unité est fournie avec des pieds réglables en acier inoxydable de 152 mm (6 ") (visserie incluse). Un jeu de roulettes de 152 mm (6") (réglables ou non) est disponible en tant qu'accessoire à installer sur site en option.

Installation des jambes / roulettes:

1. Basculez soigneusement l' unité sur le côté.
2. La jambe de fil / tige de montage en poudre dans des écrous de soudure prévus sur le fond de l' unité située dans chacun des quatre coins.
3. Une fois que tous les pieds / roulettes ont été installés, replacez soigneusement l' appareil en position verticale.

Un appareil connecté en permanence, monté sur des roulettes et destiné à être fixé à la structure du bâtiment doit respecter les éléments suivants:

- Des moyens adéquats doivent être prévus pour limiter le mouvement de l'appareil sans dépendre ni transmettre de contrainte au conduit électrique.
- Le ou les emplacements où des moyens de retenue doivent être fixés à l'appareil doivent être situés à l'extérieur des parties arrière du cadre de châssis. Utilisez les points de connexion fournis.
- L'appareil doit être installé à l'aide d'un conduit flexible.

Si l'appareil est installé sur roulettes et est déplacé pour une raison quelconque, il est recommandé qu'il soit nouveau niveau de l' avant vers l' arrière et de chaque côté avant de reprendre l' opération.

NIVELLEMENT

Pour mettre l' appareil à niveau , placez un niveau de charpentier sur le dessus de l' appareil et vérifiez son nivellement d'un côté à l'autre et d'avant en arrière. Réalisez le nivellement en tournant chaque section de pied de la jambe de l'unité au besoin. Tourner le pied dans le sens anti-horaire augmente la hauteur et diminue dans le sens horaire.

DRAINER

L'unité est équipée d'un tuyau de vidange pour vider le contenu du réservoir en vue de son élimination. Un bassin collecteur pour ce drain doit être mis en place avant toute tentative d'utilisation de l'appareil.

Ceci peut être accompli en utilisant le Drain Caddy en option, un filtre standard ½ ou taille hôtel pan, ou par la connexion de l'unité à un drain de plancher. Si vous utilisez un siphon de sol, assurez-vous que la plomberie et les effluents sont conformes à tous les codes locaux. **NE PAS JETER LA GRAISSE OU L'HUILE USÉE PAR LE DRAIN D'UN PLANCHER.**

CONNEXIONS ELECTRIQUES

⚠ WARNING Les connexions électriques et de mise à la terre doivent être conformes aux parties applicables du code national de l'électricité et / ou aux autres normes locales codes.

⚠ WARNING Débranchez l'alimentation électrique de la machine et suivez les consignes de verrouillage / étiquetage procédures.

L'unité est conçue pour 208 ou 240 volts, trois alimentation de phase uniquement. N'essayez pas de connecter l'unité à un autre type d'alimentation, l'unité ne fonctionnera pas avec une alimentation monophasée. L'appareil consomme actuellement 25 ampères par jambe. Assurez-vous d'utiliser la taille appropriée pour la déconnexion de votre localité.

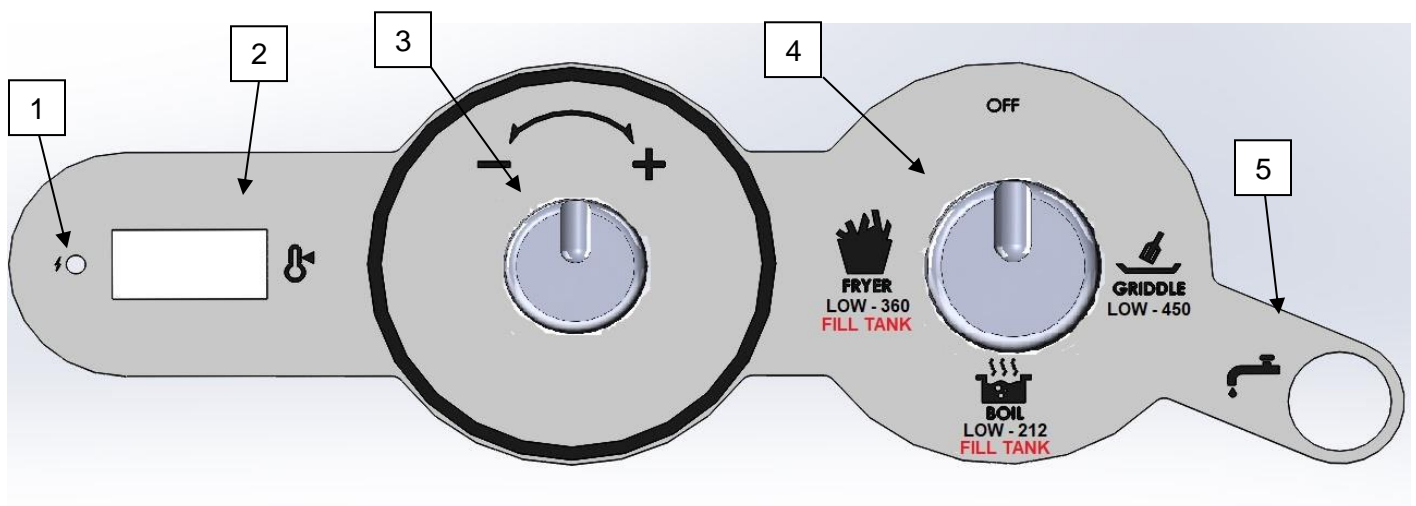
Positionnez l'unité à son emplacement final. Amenez le conduit contenant le fil d'alimentation approprié à l'unité à travers l'embout situé à l'arrière de l'unité. Sélectionnez la taille et le type de fil de champ conformément au code national de l'électricité, adaptés au transport de l'intensité et de la tension nominales de l'équipement. Utiliser des fils de champs appropriés pour 75 ° C (167 ° F).

Connectez les câbles d'alimentation au bornier de terrain et le câble de mise à la terre à la cosse de terre étiquetée. Le fil d'alimentation doit être ancré à travers le trou d'accès avec un raccord de cloison.

OPÉRATION

⚠ WARNING L'appareil et ses composants sont chauds. Faites attention lorsque vous utilisez, nettoyez ou entretenez le appareil.

LES CONTRÔLES



1. Indicateur d'alimentation - Le voyant vert est allumé lorsque l'unité est connectée au secteur.

2. Affichage de la température - Affichage de la température actuelle (en degrés F) de la surface du réservoir en mode crêpière, ou du fluide de cuisson lorsque dans les modes bouillir ou friteuse. Will momentarily display current set point when Temperature Adjustment Knob is pressed. Affiche

momentanément le point de consigne actuel lorsque vous appuyez sur le bouton de réglage de la température.

3. Bouton de réglage de la température - Permet à l'utilisateur de régler la température de cuisson de l'appareil. En mode Griddle, cela ajuste la température de la surface du réservoir. En mode ébullition et friteuse, cela ajuste la température du fluide de cuisson. Appuyez sur ce bouton pour afficher le point de consigne actuel de l'unité pendant 3 secondes. Tournez dans le sens des aiguilles d'une montre pour augmenter la température, dans le sens contraire pour la diminuer. La température sera ajustée par incréments d'un degré en dessous de 220 ° F et par degrés de plus de 220 ° F.

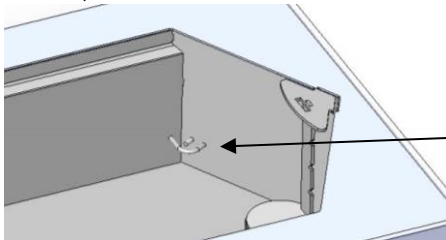
4. Bouton sélecteur - Active l'unité et permet à l'opérateur de choisir le mode de cuisson.

Griddle Mode – Permet l'unité d'être utilisée comme une plaque chauffante, avec des températures réglables de température ambiante à 450 ° F. Les températures affichées dans ce mode sont celles de la surface du réservoir.

Boil Mode – Permet l'unité à utiliser pour cuisson à la vapeur, ébullition, bain marie, et la cuisine du bain d'eau. Les températures sont ajustables de la température ambiante à 212 ° F. Les températures affichées dans ce mode sont celles de l'eau dans le réservoir.

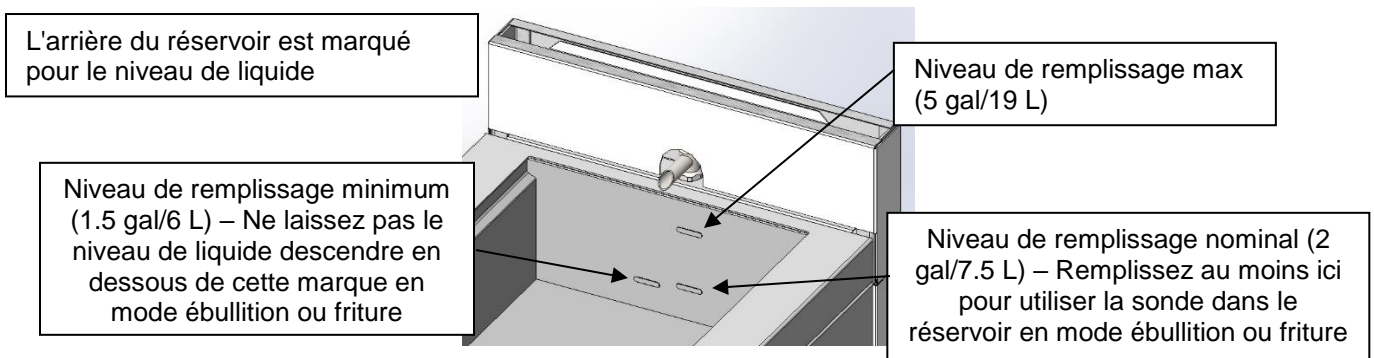
Fryer Mode – Permet d'utiliser l'unité pour la friture peu profonde et le tempura. Les valeurs par défaut de la température ambiante et 360 ° F. Les températures affichées dans ce mode sont celles du fluide de cuisson dans le réservoir.

OFF – Désactive l'appareil à la fin du jour de fonctionnement. **NE COUPE PAS L'ALIMENTATION DE L'UNITÉ, NI UN DÉCONNEXION ADÉQUAT POUR LE SERVICE DE L'UNITÉ.**



Dans la sonde de réservoir - utilisé pour fournir les températures dans les modes BOIL et FRYER. LE RESERVOIR DOIT ÊTRE REMPLI AU MAXIMUM DE MARQUAGE DANS CES MODES

5. Water Button — Bouton d'eau - Active le débit d'eau du robinet de l'unité. Une simple pression activera un flux d'eau continu, appuyez à nouveau pour terminer. Une pression continue active un flux d'eau qui se termine lorsque vous relâchez le bouton. Par mesure de sécurité, le bouton est pas actif pendant le mode Fryer et lorsque la température de surface du réservoir est supérieure à 260 ° F.



AVANT LA PREMIÈRE UTILISATION

Retirez tout le papier de protection de l'appareil avant de l'allumer. Le papier est laissé en place afin de protéger le fini et d'éviter les rayures lors de l'expédition et de la mise en place de l'unité. Le fait de ne pas retirer le papier avant le chauffage peut entraîner un marquage permanent de la finition et / ou l'incapacité de retirer complètement le papier.

Nettoyez soigneusement toutes les surfaces de cuisson avec de l'eau et un savon non chloré. Rincer pour éliminer tous les résidus de savon.

NOTICE La surface du réservoir est en acier inoxydable . Les nettoyants chlorés peuvent corroder cette surface, tout comme une exposition prolongée au sel. N'utilisez pas de nettoyants chlorés sur l'appareil et nettoyez toujours soigneusement le réservoir pour éliminer les résidus de sel après utilisation.

VOIR “NETTOYAGE” À LA PAGE 10 POUR LES INSTRUCTIONS COMPLÈTES CONCERNANT COMMENT ENTREtenir CORRECTEMENT L'APPAREIL

PREMIÈRE OPÉRATION

L'unité est équipée d'un bouchon de vidange et d'un tuyau de vidange pour vider le réservoir. Assurez-vous que les deux sont en place avant d'essayer d'utiliser l'appareil. Sinon, les effluents pourraient être inondés à l'intérieur de l'unité. Si cela se produit, éteignez l'appareil et débranchez-le de la source d'alimentation. Nettoyez soigneusement l'intérieur de l'appareil et assurez-vous qu'il ne reste aucun liquide stagnant avant de reconnecter et de reprendre les opérations.

La surface du réservoir est en acier inoxydable et ne nécessite pas d'assaisonnement avant l'utilisation, bien qu'il soit recommandé d'appliquer une fine couche d'huile ou un autre spray antiadhésif lorsque vous utilisez l'appareil en mode Griddle .

Pour commencer à utiliser, assurez-vous que le bouchon de vidange et le tuyau de vidange sont en place et qu'un bassin de récupération adéquat est en place pour les effluents. Cela peut être le Drain Caddy en option, un bac d'hôtel standard de ½ ou, ou un siphon de sol dédié. Assurez-vous que la porte de l'unité est bien fermée et que l'alimentation en eau est ouverte et purgée.

L'unité est prête à être utilisée.

FONCTIONNEMENT NORMAL

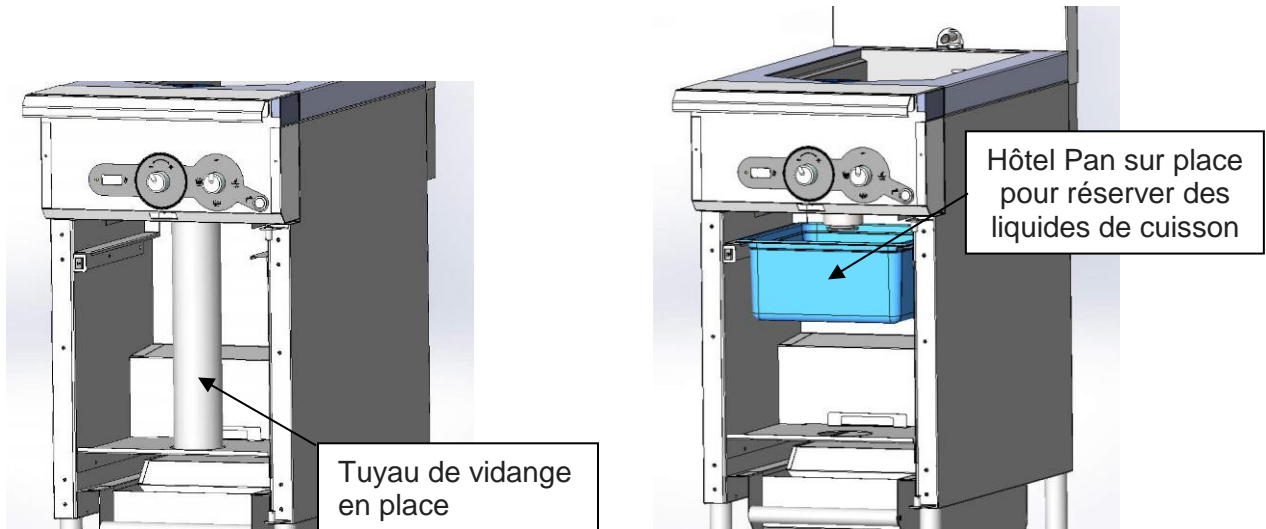
GRIDDLE MODE

Le mode Plancha peut être utilisé pour effectuer des sautés , du braisage, de la cuisson, de la fonte (sucre, chocolat, etc.) et du travail à la plaque chauffante. Le mode Plaque de cuisson est activé en tournant le bouton sélecteur sur GRIDDLE et en tournant le bouton de réglage de la température à la température de cuisson désirée. Toute température entre la température ambiante et 450 ° F peut être sélectionné.

Toute cuisson en mode Plaque de cuisson sera effectuée directement sur la surface inférieure du réservoir et la température affichée pendant que ce mode correspond à la température de cette surface. Lors du chauffage initial, l'appareil atteindra la température souhaitée en cinq minutes ou moins. Lorsque vous souhaitez cuire à une température inférieure au réglage actuel, réglez le bouton de réglage de la température sur la température souhaitée et laissez à l'appareil le temps de refroidir avant de passer à la prochaine opération.

ALLUSION: Lorsque vous effectuez plusieurs opérations de cuisson nécessitant des températures différentes, pour une utilisation optimale du temps et de l'énergie, commencez par la température la plus basse et passez progressivement à des températures plus élevées. Les étapes modifient les températures de cuisson pour coïncider avec le nettoyage de la cuve, de sorte que l'utilisation de l'eau peut aider à réduire rapidement la température.

ALLUSION: Lorsque vous utilisez l'appareil pour braiser, il est possible de conserver et de réserver le liquide pour une utilisation dans les sauces. Pour ce faire, assurez-vous que le drain de l'unité est propre et exempt de substances contaminantes. Assurez-vous que le bouchon de vidange est en place et fermement en place. Ouvrez la porte avant de l'appareil et retirez le tuyau de vidange. Placez une casserole d'hôtel de ½ ou rails sur les rails fournis, en vous assurant qu'elle est placée sous le drain du réservoir et qu'elle est suffisamment grande pour contenir la quantité de liquide utilisée. Lorsque la cuisson est terminée, soulevez le bouchon de vidange et récupérez le liquide dans le plat. Remettez le bouchon de vidange en place, retirez délicatement le récipient avec du liquide, puis remplacez le tuyau de vidange en vous assurant que le tuyau est bien fixé en place avant de fermer la porte avant et de reprendre les opérations normales.

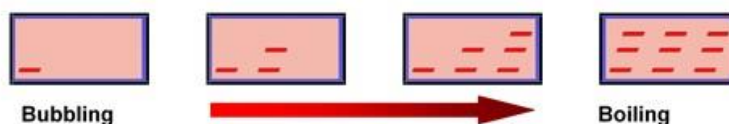


BOIL MODE

Le mode ébullition peut être utilisé pour cuire à la vapeur, bouillir, cuire et au bain-marie, ainsi qu'au bain marie. Lorsque l'appareil est en mode ébullition, le réservoir DOIT être rempli d'eau au moins jusqu'au repère minimum. Sinon, l'appareil pourrait être endommagé. Lorsque l'appareil est en mode ébullition, le bouton d'eau est actif et peut être utilisé à tout moment. La température affichée sera la température de l'eau elle-même.

Pour commencer à utiliser le mode ébullition, assurez-vous que le réservoir est exempt de toute substance contaminante et que le bouchon de vidange est bien en place pour fermer le drain. Tournez le sélecteur sur le réglage BOIL et commencez à remplir le réservoir pour pouvoir l'utiliser.

- Pour cuire à la vapeur - remplissez le réservoir jusqu'à un point situé entre les repères minimum et maximum. Réglez la température pour la quantité de vapeur désirée. 170 ° F pour une vapeur douce, 212 ° F pour une vapeur vigoureuse. Placez les articles à cuire à la vapeur dans un bac à vapeur standard et placez-le sur le rebord supérieur du réservoir. Couvrez le réservoir avec les couvercles fournis avec l'appareil. **UTILISATION DE POIGNEES FOURNIE LIEU ET ENLEVER LES COUVERTURES, COMME COUVERTURES DEVIENDRONT DIRECTS AVEC UTILISATION ET PEUT PROVOQUER BURN S.** Assurez-vous de vérifier périodiquement le niveau d'eau et ajoutez de l'eau fraîche au besoin pour éviter que le niveau ne descende au-dessous du minimum.
- Pour faire bouillir, remplissez le réservoir jusqu'à un point situé juste en dessous du repère maximum. Réglez la température à 212 ° F ou utilisez les réglages de service (illustrés ci-dessous) pour régler la vigueur de l'ébullition. Remplir le réservoir si nécessaire.



- Pour pocher ou cuire au bain - marie , remplissez le réservoir jusqu'à un point situé entre les repères minimum et maximum. Réglez la température pour la température d'eau souhaitée. L'unité peut être recouverte à l'aide des couvercles fournis pour économiser l'énergie, ou laissée ouverte, elle maintiendra la température de l'eau définie.

FRYER MODE

Le mode Friteuse peut être utilisé pour la friture peu profonde et le tempura. Lorsque l'unité est en mode Friteuse, le réservoir DOIT être rempli d'huile au moins jusqu'au repère minimum. Sinon, l'appareil pourrait être endommagé. Lorsque l'appareil est en mode Friteuse, le bouton d'eau n'est PAS actif et NE PEUT PAS être utilisé à tout moment. La température affichée sera la température de l'huile.

Pour commencer à utiliser le mode Friteuse, assurez-vous que le réservoir est exempt de toute substance contaminante et que le bouchon de vidange est fermement en place pour fermer le drain. Remplissez le réservoir avec l'huile utilisée jusqu'à atteindre le repère de niveau minimum, puis tournez le bouton sélecteur sur le réglage FRYER et réglez la température d'huile désirée. LE SYSTÈME D'ALIMENTATION EST DÉACTIVÉ EN MODE RÉFRIGÉRATEUR, L'INTRODUCTION D'EAU EN HUILE CHAUDE PEUT CAUSER DES BLESSURES LIÉES À UNE ÉPAILLE. N'ESSAYEZ PAS D'INTRODUIRE DE L'EAU DANS LE RÉSERVOIR TOUT REMPLI D'HUILE.

À LA FIN DE LA FRITURE:

Laissez l'huile refroidir à une température sécuritaire avant de tenter de la vidanger. ASSUREZ-VOUS QUE LE RÉCIPIENT APPROPRIÉ EST EN PLACE ET QUE LE RÉCIPIENT NE CONTIENNE PAS D'EAU AVANT D'OUVRIR LE DRAIN, LE DÉFAILLANCE PEUT CAUSER DES DOMMAGES ET DES BLESSURES. Une fois que le récipient approprié est en place, ouvrez le drain et laissez l'huile s'écouler complètement dans le récipient. Retirez très soigneusement le récipient et jetez l'huile conformément à la réglementation locale. NE METTEZ PAS D'HUILE USÉE DANS UN DRAIN DESTINÉ AUX EAUX USÉES.

Le réservoir peut ensuite être nettoyé normalement et préparé pour la prochaine utilisation.

PANNE DE COURANT

En cas de panne de courant, l'appareil cessera de fonctionner. Une fois l'alimentation rétablie, l'appareil reprendra normalement ses fonctions normales si les commandes sont toujours dans une configuration active. Afin d'éviter tout dommage ou blessure, tournez le bouton de sélection sur OFF pendant la panne de courant. Lorsque le courant est rétabli, reprenez le fonctionnement normalement.

Les commandes de l'appareil comprennent un capteur de température qui arrêtera automatiquement le cycle de cuisson si des températures élevées sont détectées dans l'armoire. Dans ce cas, l'écran affichera brièvement le code d'erreur "EE1", puis si la condition de surchauffe persiste, il affichera "EE2" et arrêtera les éléments. L'affichage continue à indiquer la température du réservoir, mais tout chauffage cesse. Pour réinitialiser les commandes et reprendre la cuisson, laissez refroidir l'appareil, puis éteignez-le avant de sélectionner le mode de cuisson souhaité et de régler la température souhaitée. Si cela se produit à

plusieurs reprises, l'unité est dans un environnement trop chaud et des mesures doivent être prises pour l'isoler des sources de chaleur.

NETTOYAGE

⚠ WARNING VÉRIFIEZ QUE L'APPAREIL EST ÉTEINT ET L'ALIMENTATION ÉLECTRIQUE DÉBRANCHÉE AVANT LE NETTOYAGE.

N'UTILISEZ PAS de détergent à vaisselle Dawn® pour nettoyer l'appareil. Ce détergent contient du chlore et est nocif pour l'acier inoxydable.

NE PAS utiliser de poudres à récurer. Il est très difficile à enlever complètement et peut causer des accumulations qui endommageront l'unité.

NE PAS utiliser de produits de nettoyage contenant du TSC ou de l'hydroxyde de sodium.

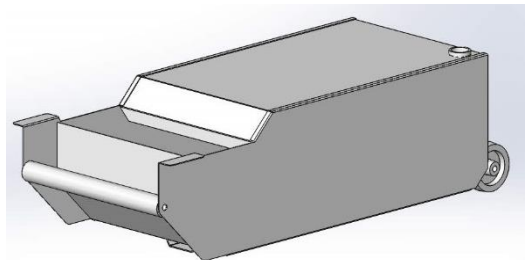
Tous les composants de cuisson de l'appareil sont en acier inoxydable et doivent être soigneusement nettoyés avec de l'eau tiède et un détergent doux à la fin de chaque quart de cuisson.

Lors du passage d'un type de cuisson à un autre pendant une période de cuisson, le degré de nettoyage doit être adapté aux besoins du type de cuisson. Cuit sur les débris peut être enlevé de la surface du réservoir avec une spatule ou un tampon à récurer. N'utilisez que des ustensiles en acier inoxydable ou en plastique pour éviter de dégrader l'acier inoxydable du réservoir et du corps de l'appareil. Utilisez uniquement l'eau incorporée pour le rincer. NE versez PAS d'EAU SUR L'APPAREIL avec un seau ou d'autres moyens.

Le bouchon de vidange avec le siphon attaché doit être retiré et nettoyé au moins une fois par jour. Veillez à ne pas endommager ni déloger le joint torique du bouchon de vidange. Si le joint torique est endommagé, le bouchon de vidange risque de fuir.

En cas de déversement à l'intérieur de l'appareil, débranchez-le immédiatement du secteur et nettoyez-le soigneusement. N'ENLEVEZ PAS LE COUVERCLE DE PROTECTION, cela augmenterait le risque d'électrocution ou de détérioration de l'appareil. Utilisez une raclette ou une serviette pour pousser les liquides en suspension à travers le trou de vidange dans un réceptacle ou un drain acceptable, puis nettoyez les taches ou les aliments de l'intérieur du boîtier. Ne pas le faire peut entraîner de la corrosion ou des conditions insalubres.

CADDIE DE DRAIN EN OPTION : Si vous avez acheté le Drain Caddy en option, il est conçu pour contenir à peu près le même volume de liquide que le réservoir. Par conséquent, il ne dispose que de la capacité suffisante pour capturer une vidange complète du réservoir avant de devoir le vider lui-même. Si vous jetez de petites quantités de liquide à la fois, ouvrez la porte de l'unité et vérifiez souvent le niveau de liquide dans le Caddy afin d'éviter tout débordement.



Lorsque le Drain Caddy est prêt à être vidé, ouvrez la porte de l'appareil et tenez fermement la poignée du Caddy. Soyez prudent lorsque vous tirez le Caddy hors de l'appareil, car le Caddy peut être chaud et la poignée du Cadet peut être glissante en raison d'humidité ou de projections de liquide. Soulevez le Drain Caddy dans une position complètement inclinée ou verticale lorsque vous le tirez hors de l'appareil, afin que le contenu ne éclabousse pas hors du Caddy. Utilisez la poignée pour faire avancer le caddy dans une zone d'élimination appropriée. Le Drain Caddy peut être vidé en le basculant pour permettre au fluide de s'écouler par l'ouverture principale ou en retirant le bouchon de vidange lorsque le Caddy est en position

verticale. NE PAS JETER D'HUILES DANS UN SYSTÈME DE DRAINAGE D'EAU, utilisez toujours le récipient d'élimination approprié pour l'effluent utilisé.

Pour nettoyer le Drain Caddy, utilisez de l'eau tiède et un détergent doux pour nettoyer en profondeur l'intérieur et l'extérieur du corps. Le Drain Caddy est en acier inoxydable, mais les résidus d'aliments laissés en place peuvent provoquer la corrosion. Rincez soigneusement le réservoir et laissez-le sécher avant de remettre le bouchon de vidange en place et de le remettre en service.

ENTRETIEN

⚠ WARNING L'appareil et ses composants sont chauds. Faites attention lorsque vous utilisez, nettoyez ou entretenez le appareil.

⚠ WARNING Toujours débrancher l'appareil et suivre les procédures de verrouillage / étiquetage avant de procéder à l'entretien de l'appareil.

En raison de la nature électronique des commandes, l'appareil ne contient aucun élément réparable par l'utilisateur. Veuillez contacter le service après-vente Vulcan-Hart de votre région pour planifier tout entretien ou réparation requis.