



## Front-Load Duo-Slicer

### Key Features:

- Two slice thickness options in one machine  
Choose from four options
- Provide customer options using 50% less energy  
in 25% less space\*
- Perfect for on-demand slicing of hard-crusted breads  
and soft-textured sandwich loaves
- Large bread capacity - 13" loaves per slice thickness
- Easy-to-operate, with convenient, front-mounted  
push button controls
- Front-mounted bagging scoop that adjusts for  
smaller loaves makes for convenient bagging
- Blade advantages:
  - Uses the lowest cost replacement blades in the  
industry, contributing to low cost of ownership
  - Easily replaceable, independently mounted,  
rust-resistant blades
  - Blade replacement takes less than one hour of labor,  
the lowest in the industry
- Smooth, quiet operation with minimal vibration



The information contained herein is correct to the best of our knowledge. The recommendations or suggestions are made without guarantee or representation as to results.

Above specifications subject to change without notice.

\*based on two Model 732 slicers



**Manufactured in the U.S.A.**



## Front-Load Duo-Slicer

### SPECIFICATIONS:

#### Electric:

- 1 Phase/60 Hertz/ 115 Volts (7 Amps)
- 1 Phase/60 Hertz/ 230 Volts (3.5 Amps)  
(additional charge)

**Maximum Product:** (dimensions per side)  
13" (330 mm) long X 5.5" (140 mm) wide X  
5.5" (140 mm) high

Note: width and height dimensions are for a square loaf.  
Lower and wider product may be sliced by taking care in  
loading the product.

#### Finish:

Stainless steel contact components and food-safe  
materials throughout

#### Slice Spacing:

Standard options: 3/8" (10 mm), 1/2" (13 mm),  
5/8 (16 mm), 3/4 (19 mm)

Select two and determine position in slicer left to right

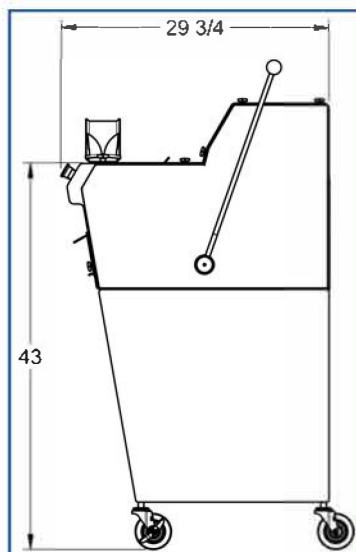
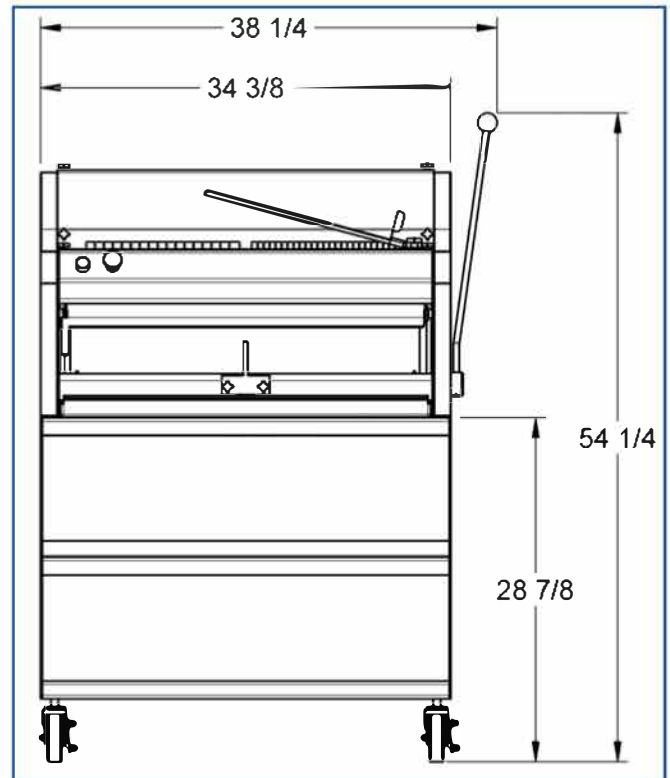
**Dimensions:** (see drawings at right):

#### Shipping weight:

575lbs. (260 kg) approximate

#### Net Weight:

450 lbs. (204 kg)



The information contained herein is correct to the best of our  
knowledge. The recommendations or suggestions are made  
without guarantee or representation as to results.

Above specifications subject to change without notice.

**Manufactured in the U.S.A.**