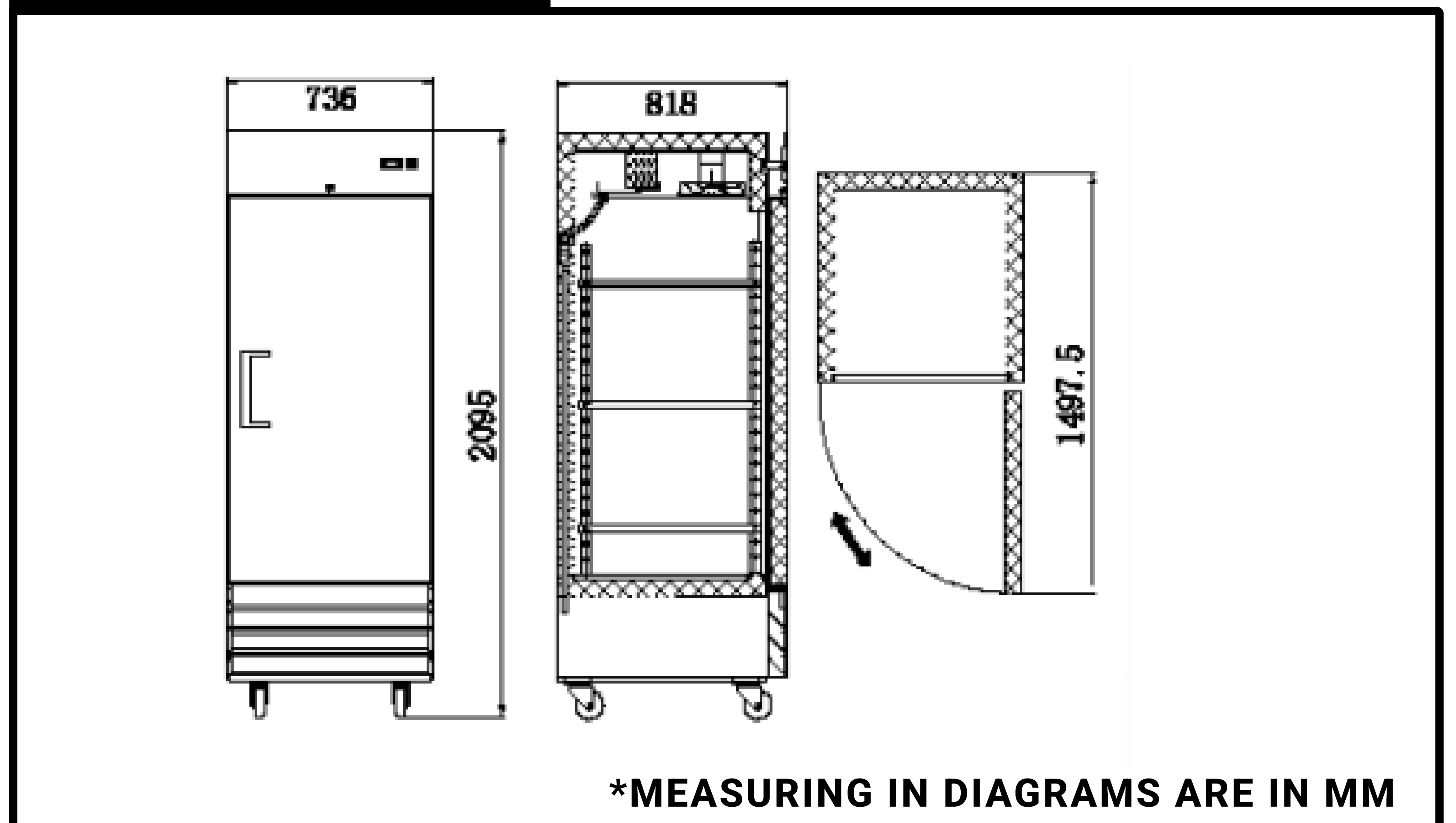


### 29" AURORA SOLID DOOR REACH-IN FREEZER



Technical Drawing



\*MEASURING IN DIAGRAMS ARE IN MM

Electrical	115V / 60Hz / 1Ph
Amps & HP	7.1 Amps   1/2 HP
Capacity	583 L   20.6 cu. ft
Shelf Capacity	88.2 lbs   40 kg
Number of Shelves	3
Temperature Range	22 to -18°C   -7.6 to -0.4°F
Max Ambient Temp Rating	38°C   100.4°F
Refrigerant & Cooling System	R290   Ventilated
Net Weight	282.2 lbs   128 kg
Gross Weight	346.2 lbs   157 kg
Interior Dimensions	24.4" x 27.1" x 53.5"
Dimensions (WDH)	29" x 32.2" x 82.5"
Gross Dimensions	30.3" x 34.6" x 84.4"



**1 YEAR WARRANTY**  
PARTS AND LABOUR