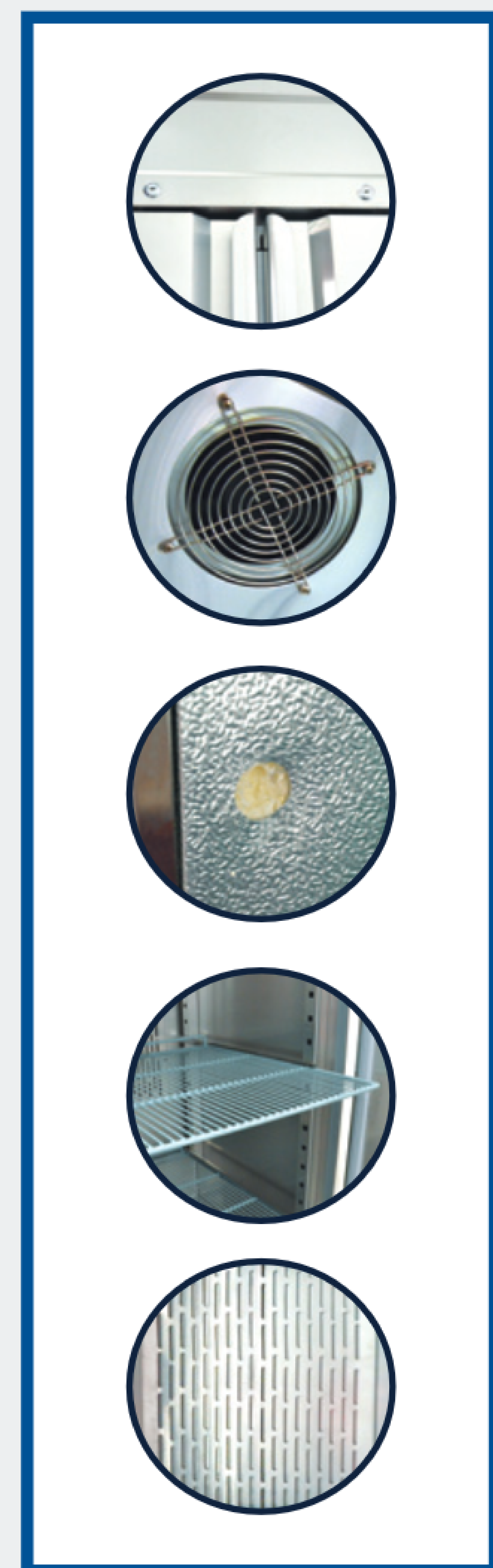


Serving Canada Since 1951

54" DOUBLE DOOR REACH-IN FREEZER 47 CU. FT.

**HIGH PERFORMANCE AND QUALITY
REFRIGERATED FOOD PREP TABLE!
DURABLE AND SUITED FOR HIGH
PRODUCTION KITCHENS!**

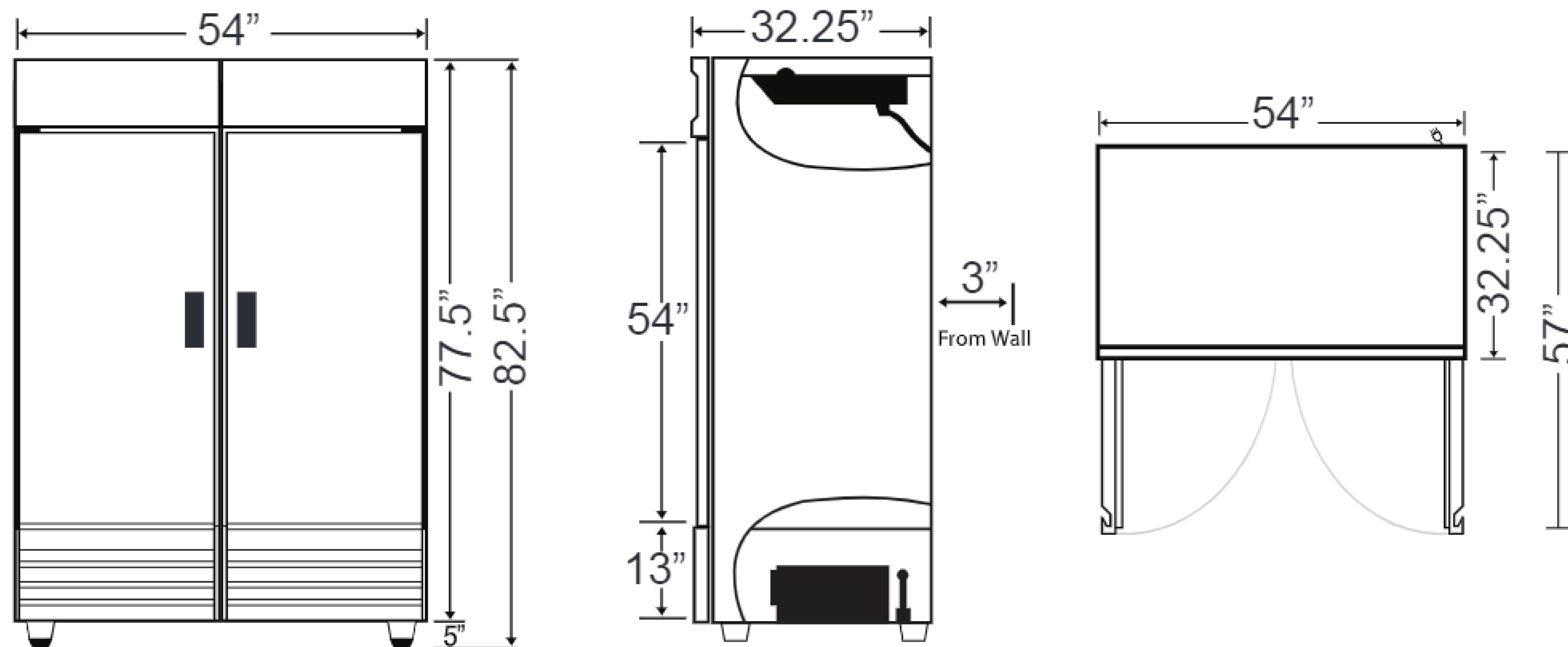


Nella's double door reach-in freezer is easy to clean and reliable for any type of commercial establishment. The digital temperature control provides protection from spoiling and optimal food-safe temperatures. With an automatic defrost system and ventilated cooling system, this moveable commercial reach-in freezer will fit any establishment.

[HTTPS://WWW.NELLAONLINE.COM/PRODUCTS/NELLA-54-REACH-IN-FREEZER-WITH-2-SOLID-DOORS-50025](https://www.nellaonline.com/products/nella-54-reach-in-freezer-with-2-solid-doors-50025)

Serving Canada Since 1951

54" DOUBLE DOOR REACH-IN FREEZER 47 CU. FT.



This unit is ideal for for your restaurant, cafe, bakery or a commercial kitchen. Store your burgers, fish fillets, ice cream, and other products frozen until they're ready to be served. Keep your products fresh, frozen and ready-for-use with this reach-in freezer.

FEATURES

- Corrosion-resistant stainless steel exterior and interior
- Adjustable heavy-duty PVC coated shelves
- Digitally temperature controller & display
- Features an automatic defrost function and ventilated cooling system
- Interior lighting
- Built with self-closing and stay-open locking doors
- Heavy-duty casters with brakes



TECHNICAL SPECIFICATIONS

Capacity	47 cu.ft. / 1330 L
Power	1 HP / 0.75 kW
Electrical	110V / 60Hz / 1Ph
Refrigerant	R290
Temperature Range	-22°C to -18°C / -8°F to 0°F
Number of Shelves	6
Exterior Dimensions (DWH)	32" x 54" x 82.5" 818 mm x 1371.6 mm x 2095.5 mm
Interior Dimensions (DWH)	27" x 49.4" x 60.24" 688 mm x 1254.8 mm x 1530 mm
Weight	496 lbs 225 kg
Gross Weight	560 lbs 254 kg
Receptacle	NEMA 5-20R 125 VAC/20 AMP



2 YEAR
WARRANTY
PARTS AND LABOUR
5 YEARS ONLY ON COMPRESSOR