

SQUARE REFRIGERATED COUNTERTOP FOOD DISPLAY WARMER



Keep your beverages warm and ready to serve!

Its LED internal lighting allows your foods to be visible to your customers. Equipped with an adjustable digital temperature controller and the heat ranges from 30 to 90°C. Perfect in your bakery, supermarket, and more.

1 YEAR

WARRANTY
PARTS AND LABOUR

MADE IN CHINA



Intertek



Intertek

TECHNICAL SPECIFICATIONS

FEATURES

- Brilliant Internal LED illumination on top
- Equipped with an adjustable temperature controller
- Temperature Display
- Adjustable chrome plated shelves
- Front flat glass



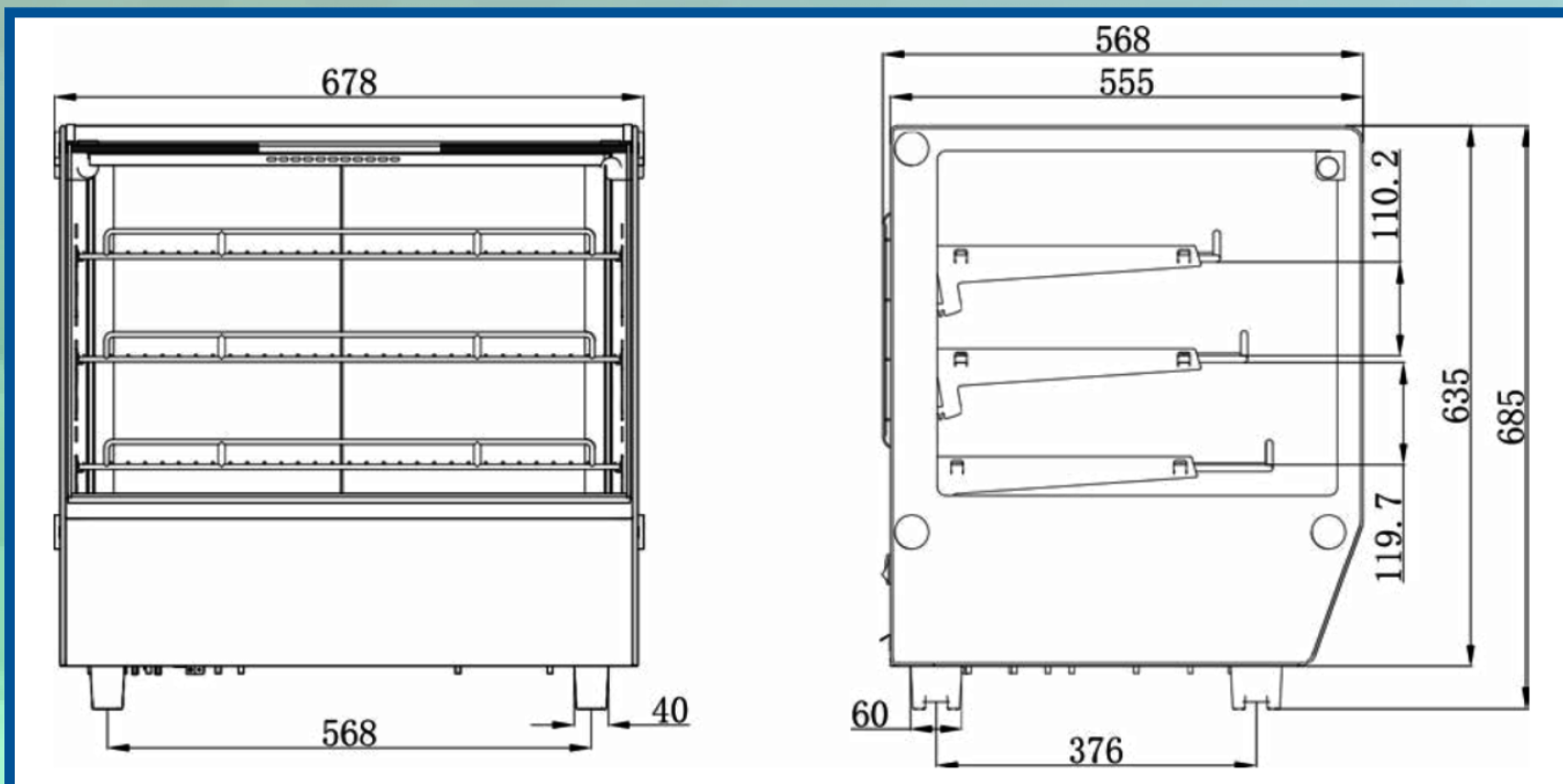
27" Square Countertop Food Display Warmer

Electrical	110V
Power	1650W
Temperature Range	30 - 90°C 86 - 194°F
Capacity	120L
Rated Current	15A
Shelf Capacity	33.1lbs 15kg
Rack Size	15.7 x 25.0-inch 14.4 x 25.0-inch 13.2 x 25.0-inch
Weight	84.9lbs 38.5kg
Dimensions (DWH)	26.7 x 22.4 x 27-inch
Gross Weight	91.5lbs 41.5kg
Gross Dimensions	29.5 x 24.7 x 28.8-inch

NEMA 5-15 | 125 VAC | 15 AMP
RECEPTACLE



TECHNICAL DRAWINGS & DIMENSIONS



*measurements in diagrams are in mm

[HTTPS://WWW.NELLAONLINE.COM/PRODUCTS/NELLA-27-SQUARE-GLASS-COUNTERTOP-DISPLAY-WARMER-120L-CAPACITY-47425](https://www.nellaonline.com/products/nella-27-square-glass-countertop-display-warmer-120l-capacity-47425)

TECHNICAL SPECIFICATIONS

FEATURES

- Brilliant Internal LED illumination on top
- Equipped with an adjustable temperature controller
- Temperature Display
- Adjustable chrome plated shelves
- Front flat glass



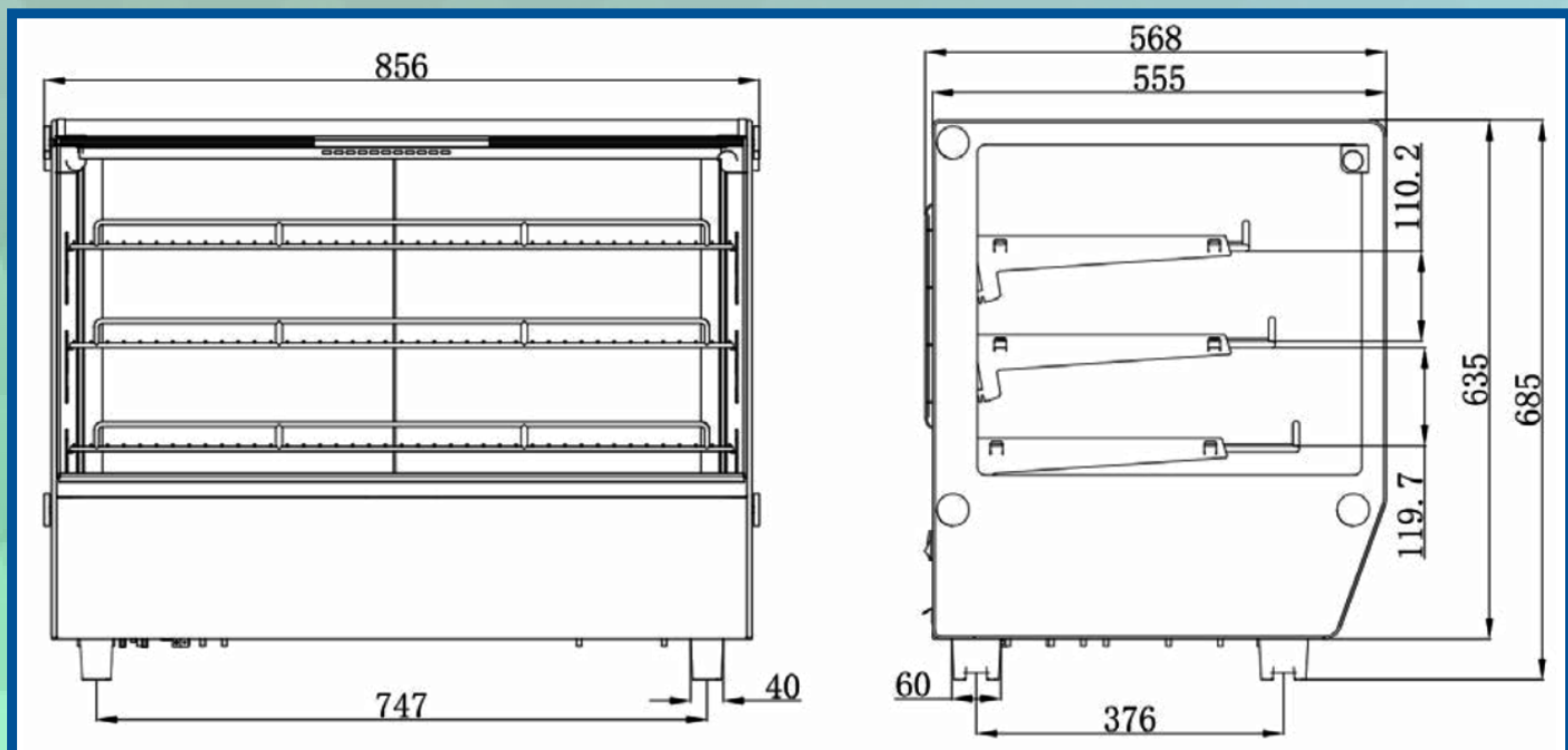
34" Square Countertop Food Display Warmer

Electrical	110V
Power	1650W
Temperature Range	30 - 90°C 86 - 194°F
Capacity	160L
Rated Current	15A
Shelf Capacity	33.1lbs 15kg
Rack Size	15.7 x 32.0-inch 14.4 x 32.0-inch 13.2 x 32.0-inch
Weight	103.6lbs 47kg
Dimensions (DWH)	33.7 x 22.4 x 27-inch
Gross Weight	110.2lbs 50kg
Gross Dimensions	36.5 x 24.7 x 28.8-inch

NEMA 5-15 | 125 VAC | 15 AMP
RECEPTABLE



TECHNICAL DRAWINGS & DIMENSIONS



*measurements in diagrams are in mm

[HTTPS://WWW.NELLAONLINE.COM/PRODUCTS/NELLA-34-SQUARE-GLASS-COUNTERTOP-DISPLAY-WARMER-160L-CAPACITY-47426](https://www.nellaonline.com/products/nella-34-square-glass-countertop-display-warmer-160l-capacity-47426)

TECHNICAL SPECIFICATIONS

FEATURES

- Brilliant Internal LED illumination on top
- Equipped with an adjustable temperature controller
- Temperature Display
- Adjustable chrome plated shelves
- Front flat glass

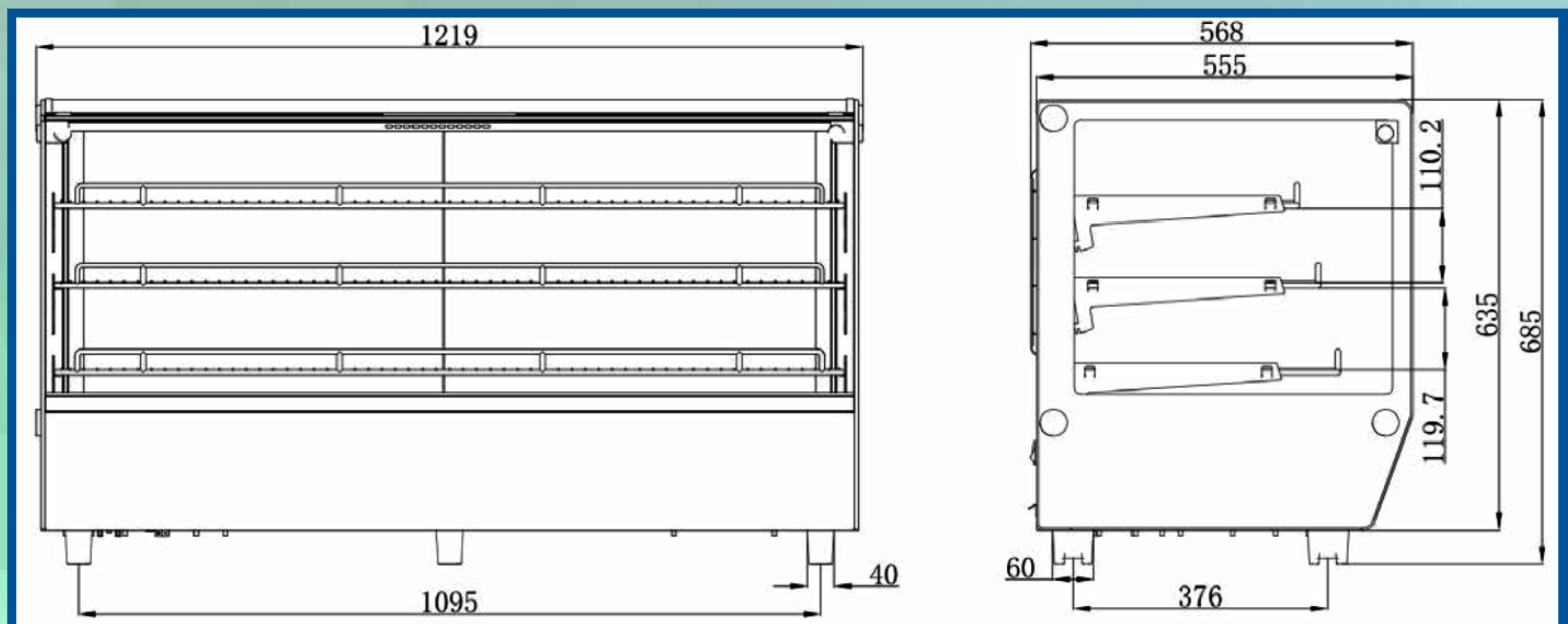


48" Square Countertop Food Display Warmer

Electrical	110V
Power	1650W
Temperature Range	30 - 90°C 86 - 194°F
Capacity	202L
Rated Current	15A
Shelf Capacity	40.1lbs 20kg
Rack Size	15.7 x 45.9-inch 14.4 x 45.9-inch 13.2 x 45.9-inch
Weight	132.3lbs 60kg
Dimensions (DWH)	48.0 x 23.1 x 27-inch
Gross Weight	138.9lbs 63kg
Gross Dimensions	50.8 x 24.7 x 28.9-inch

NEMA 5-15 | 125 VAC | 15 AMP
RECEPTACLE

TECHNICAL DRAWINGS & DIMENSIONS



*measurements in diagrams are in mm

[HTTPS://WWW.NELLAONLINE.COM/PRODUCTS/NELLA-48-SQUARE-GLASS-COUNTERTOP-DISPLAY-WARMER-202L-CAPACITY-47427](https://www.nellaonline.com/products/nella-48-square-glass-countertop-display-warmer-202l-capacity-47427)

TECHNICAL SPECIFICATIONS

FEATURES

- Brilliant Internal LED illumination on top
- Equipped with an adjustable temperature controller
- Temperature Display
- Adjustable chrome plated shelves
- Front flat glass

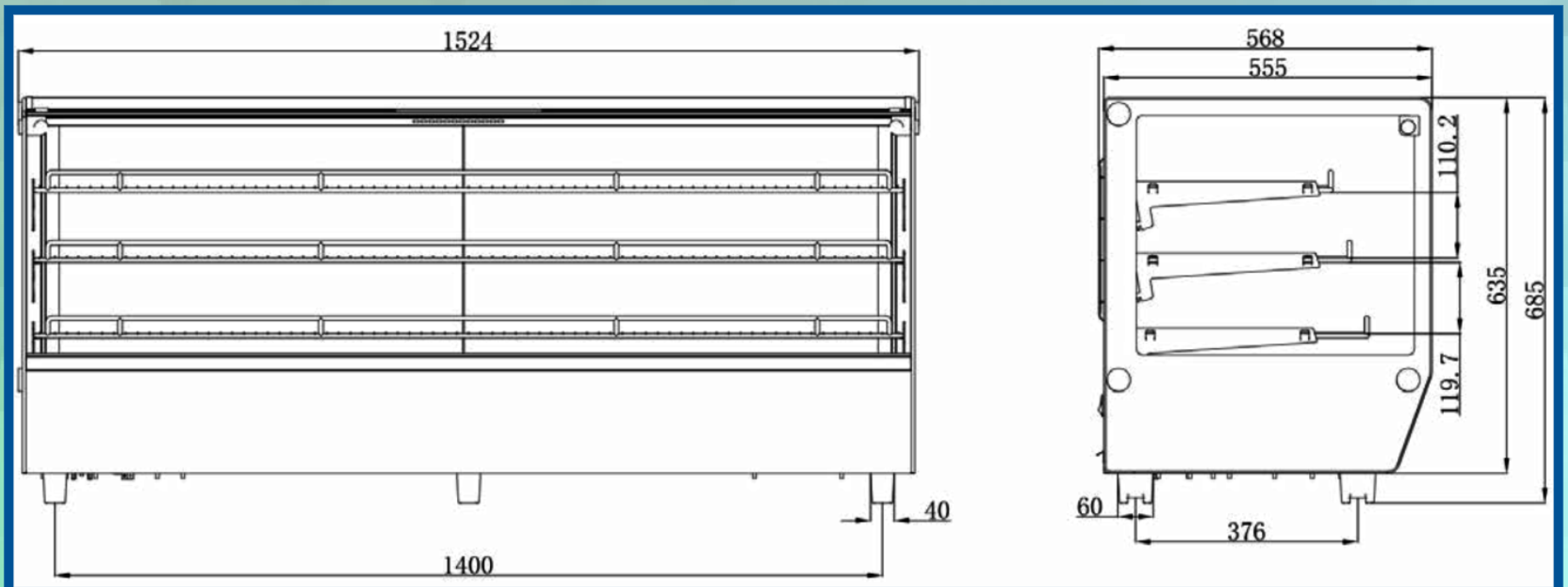


60" Square Countertop Food Display Warmer

Electrical	110V
Power	1650W
Temperature Range	30 - 90°C 86 - 194°F
Capacity	252L
Rated Current	15A
Shelf Capacity	55.1lbs 25kg
Rack Size	15.7 x 45.9-inch 14.4 x 45.9-inch 13.2 x 45.9-inch
Weight	163.1lbs 74kg
Dimensions (DWH)	60 x 22.4 x 27-inch
Gross Weight	172lbs 78kg
Gross Dimensions	62.8 x 36.5 x 28.9-inch

NEMA 5-15 | 125 VAC | 15 AMP
RECEPTACLE

TECHNICAL DRAWINGS & DIMENSIONS



*measurements in diagrams are in mm