

10L BOWL CUTTER



Serial No.:456025784719100

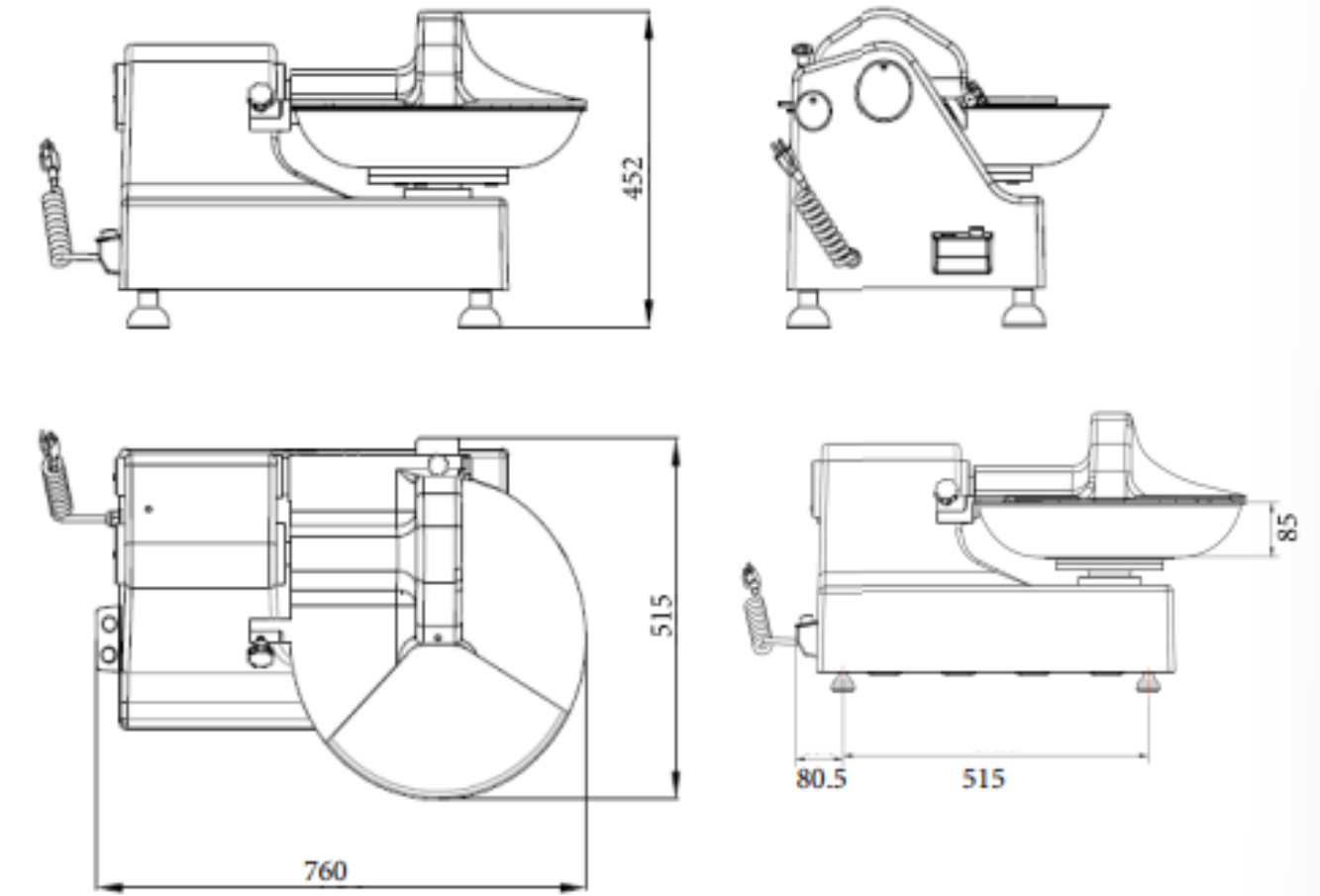
Model No.:100-796567

The 10L Bowl Cutter is a perfect fit for quickly and effectively turning a wide range of roots, stems, leaves, and vegetables into paste form.

10L BOWL CUTTER



TECHNICAL DRAWING

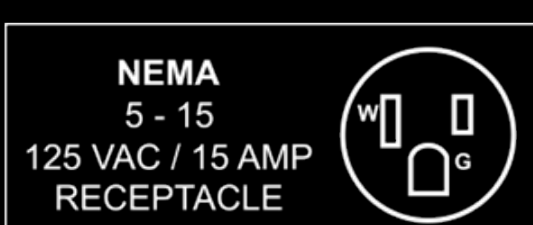


*measurements in diagrams are in mm

CAPACITY	10L / 10.57 QT (Min. of 2 kg of food)
WORKING CAPACITY	218 kg/h
ELECTRICAL	110V / 60Hz / 1 Ph
POWER	1 HP / 0.75 kW
RPM	1450 RPM
BOWL DIMENSIONS (DIA X DEPTH)	18.1" x 3.3"
NET WEIGHT	110.2 lbs 50 kg
GROSS WEIGHT	144.4 lbs 65.5 kg.
DIMENSIONS (DWH)	30" x 20.3" x 17.8"
GROSS DIMENSIONS	33.6" x 23.7" x 23.7"

FEATURES

- Quickly and effectively make a paste out of various types of roots, stems, leaves, and vegetables.
- perfect appliance for making dumplings and buns due to its capacity to reliably combine various stuffings.
- rapidly utilizes rotating blades to cut food into a paste with motion relative to the unit.
- blades are highly refined, sharp, and effective, guaranteeing efficient cutting.
- slight increase in temperature combined with a short cutting time increases emulsification, as well as the elasticity, smoothness, and yield of the stuffing.
- excellent water resistance, safety, dependability, a long lifespan, silence, simple operation, and easy maintenance.



**1 YEAR
WARRANTY**
PARTS AND LABOUR