

DRY BAKERY DISPLAY CASES

**EXHIBIT YOUR DELECTABLE
BAKED GOODS WITH THESE
DRY BAKERY DISPLAY CASES**



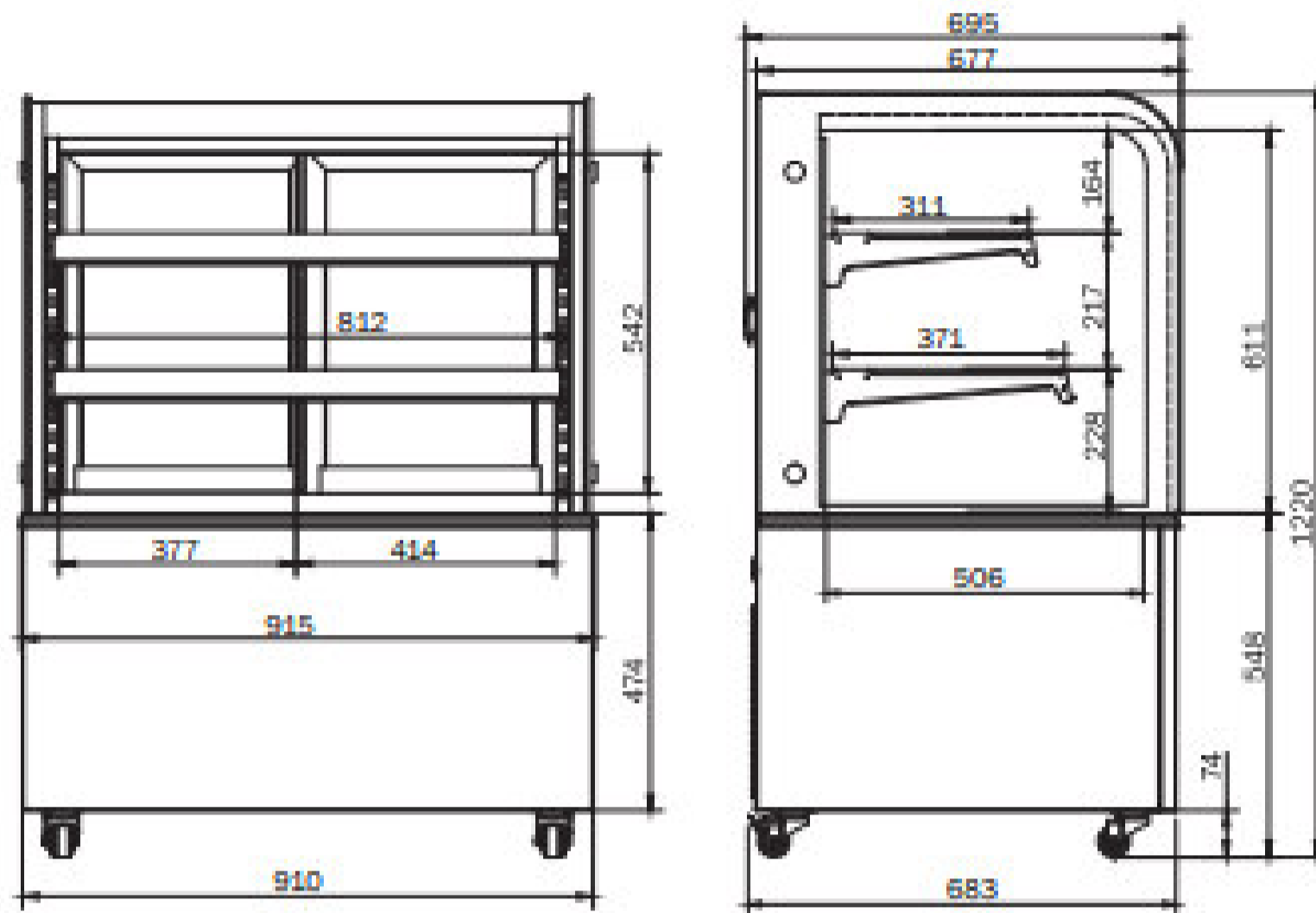
These dry bakery display cases are perfect for your bakery, coffee shop, cafe, or any business that sells baked goods. The dry design allows you to showcase your baked goods, while extending their shelf life.



**1 YEAR
WARRANTY**
PARTS AND LABOUR

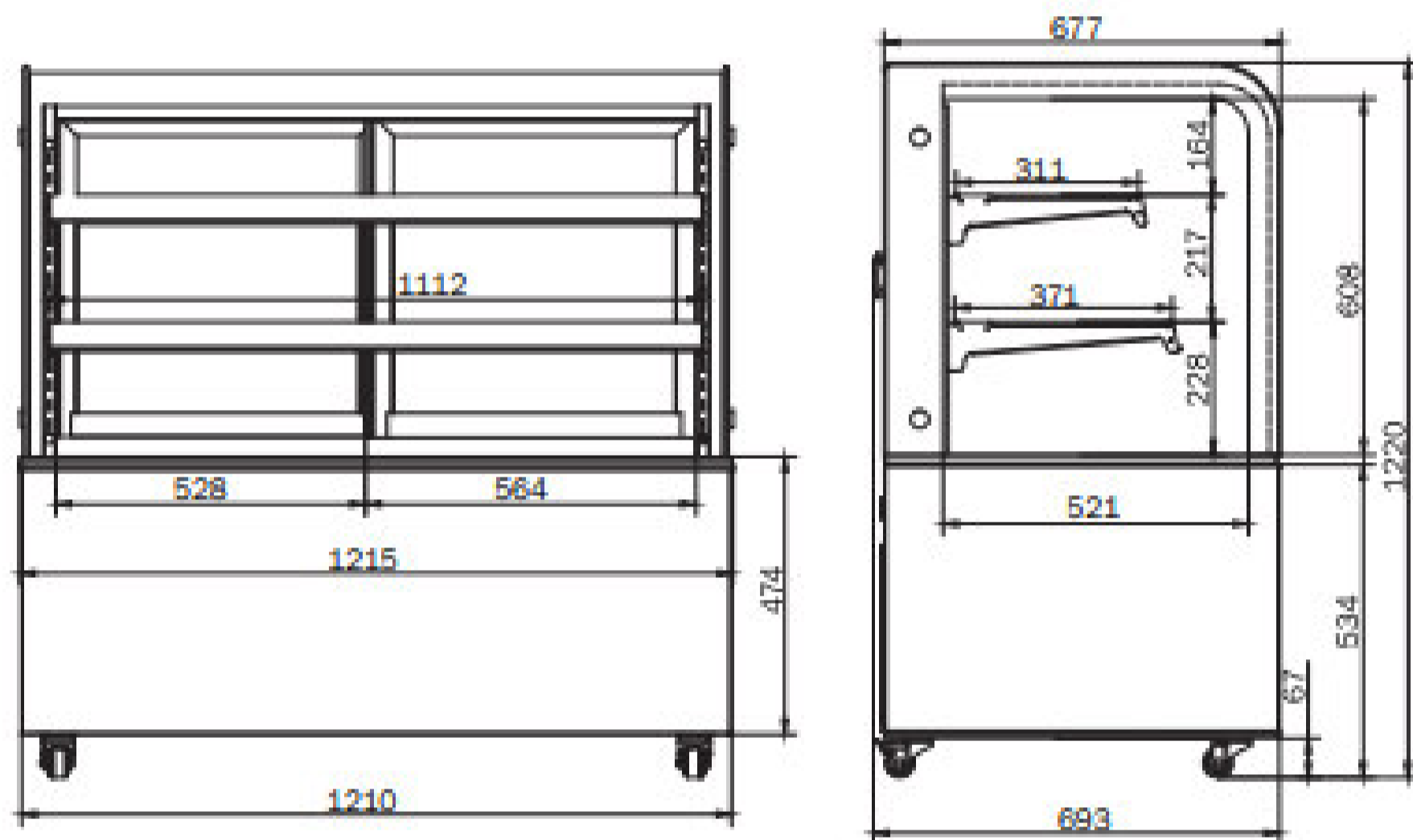
DRY BAKERY DISPLAY CASES

TECHNICAL SPECIFICATIONS



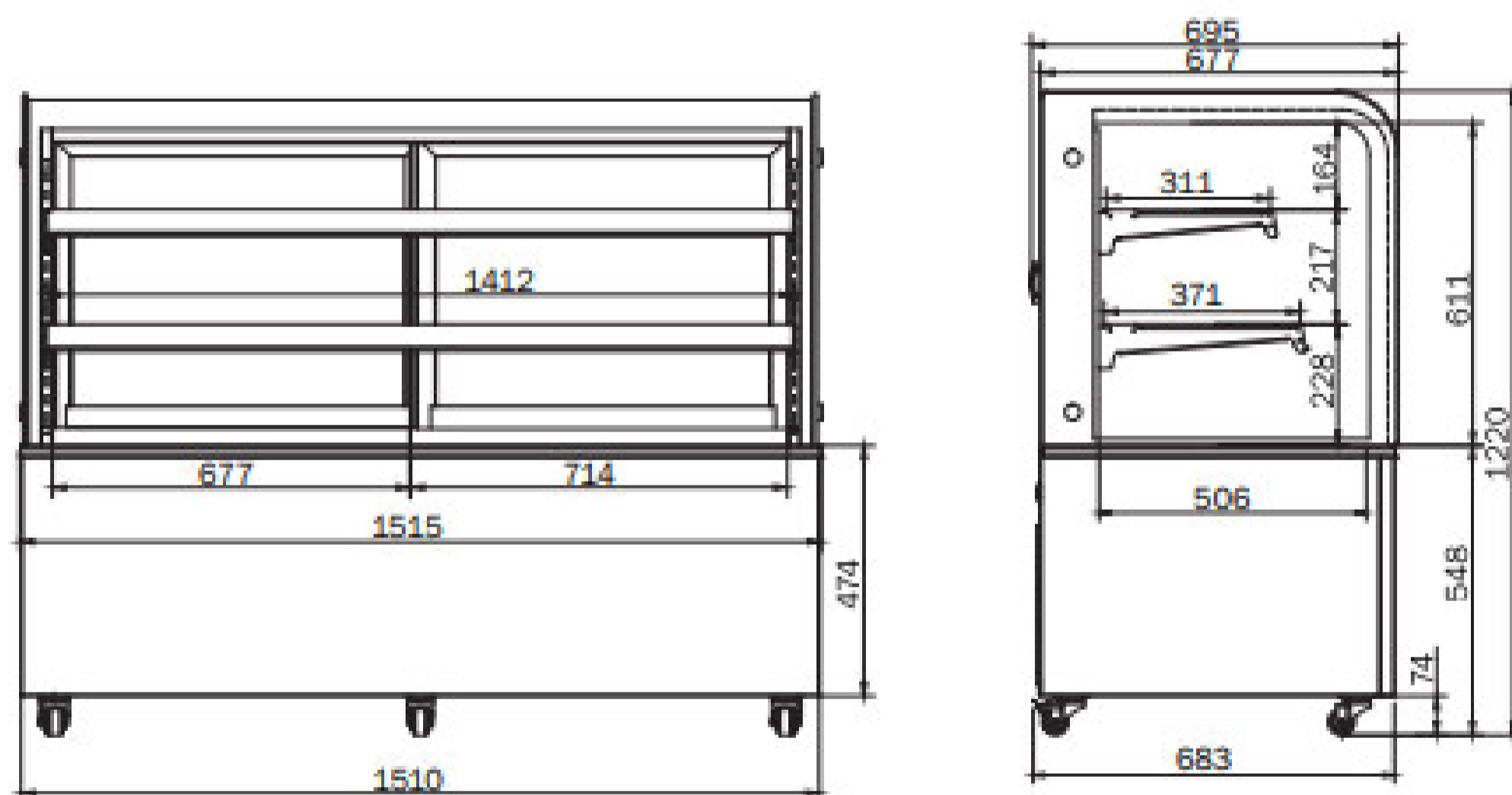
36" DRY BAKERY DISPLAY CASE

Item	47102
Model	DS-CN-0270
Electrical	115V / 60Hz / 1Ph
Capacity	295 L 10.4 cu. ft
Top Rack Size	31.5" x 12.2"
Bottom Rack Size	31.5" x 14.6"
Weight	231.5 lbs 105 kg
Gross Weight	315.3 lbs 143 kg
Dimensions (DWH)	26.6" x 36" x 48"
Gross Dimensions	29.3" x 39.4" x 50"



48" DRY BAKERY DISPLAY CASE

Item	47103
Model	DS-CN-0370
Electrical	115V / 60Hz / 1Ph
Capacity	400 L 14.1 cu. ft
Top Rack Size	43.3" x 12.2"
Bottom Rack Size	43.3" x 14.6"
Weight	286.6 lbs 130 kg
Gross Weight	374.8 lbs 170 kg
Dimensions (DWH)	26.6" x 47.8" x 48"
Gross Dimensions	29.3" x 51.2" x 50"



60" DRY BAKERY DISPLAY CASE

Item	47104
Model	DS-CN-0470
Electrical	115V / 60Hz / 1Ph
Capacity	500 L 17.7 cu. ft
Top Rack Size	55.2" x 12.2"
Bottom Rack Size	55.2" x 14.6"
Weight	348.3 lbs 158 kg
Gross Weight	507.1 lbs 230 kg
Dimensions (DWH)	26.6" x 59.6" x 48"
Gross Dimensions	29.3" x 63" x 50"



WWW.NELLAONLINE.COM
HELP@NELLAONLINE.COM

LOCATIONS

148 NORFINCH DR
NORTH YORK, ON,
M3N 1X8
416-740-2424

433 QUEEN ST E.
TORONTO, ON,
M5A 1T5
416-847-1112

1164 ELLESMERE ROAD
SCARBOROUGH, ON,
M3N 1X8
416-292-0828