

FOOD EQUIPMENT**58-INCH STAINLESS STEEL ELECTRIC OPEN WELL
HOT FOOD TABLE WITH 4 PANS CAPACITY, CUTTING
BOARD AND UNDERSHELF**

**KEEP YOUR HOT
FOODS READILY
AVAILABLE AT SAFE
TEMPERATURE**

Perfect for buffet and catering services, Nella's 58-inch Stainless Steel Electric Open Well Hot Food Table with Cutting Board and Undershef is designed to keep your hot foods readily available at safe temperature. With a durable stainless steel construction, this food warmer has a convenient undershef where you could store extra serving utensils, food pans, or any other kitchen tools that you need, as well as a polycarbonate cutting board as an extra work space in case you need to fill out food pans or plates.



Pans not included.



**1 YEAR
WARRANTY
PARTS AND LABOUR**

58-INCH STAINLESS STEEL ELECTRIC OPEN WELL HOT FOOD TABLE WITH 4 PANS CAPACITY, CUTTING BOARD AND UNDERSHELF

SPECIFICATION

MAX. TEMPERATURE
POWER
ELECTRICAL
AMP
MATERIAL
CUTTING BOARD MATERIAL
NUMBER OF PANS
PAN SIZE
UNDERSHELF SIZE
CUTTING BOARD SIZE
DIMENSIONS (WDH)
GROSS DIMENSIONS
WEIGHT
GROSS WEIGHT

APPROXIMATELY 212°F / 100°C
 3000W | 4000W
 208V | 240V / 60HZ / 1PH
 14.42 | 16.66
 STAINLESS STEEL
 POLYETHYLENE
 4 (PANS NOT INCLUDED)
 20.78" X 12.8" X 6" (FULL SIZE)
 56" X 18" X 2" | 1414 X 462 X 50 MM
 58" X 7.9" X 0.5" | 1475 X 200 X 12 MM
 58" X 30" X 34" | 1475 X 772 X 870 MM
 61" X 25" X 20" | 1560 X 640 X 520 MM
 58KG. | 128LBS
 75KG. | 165LBS.

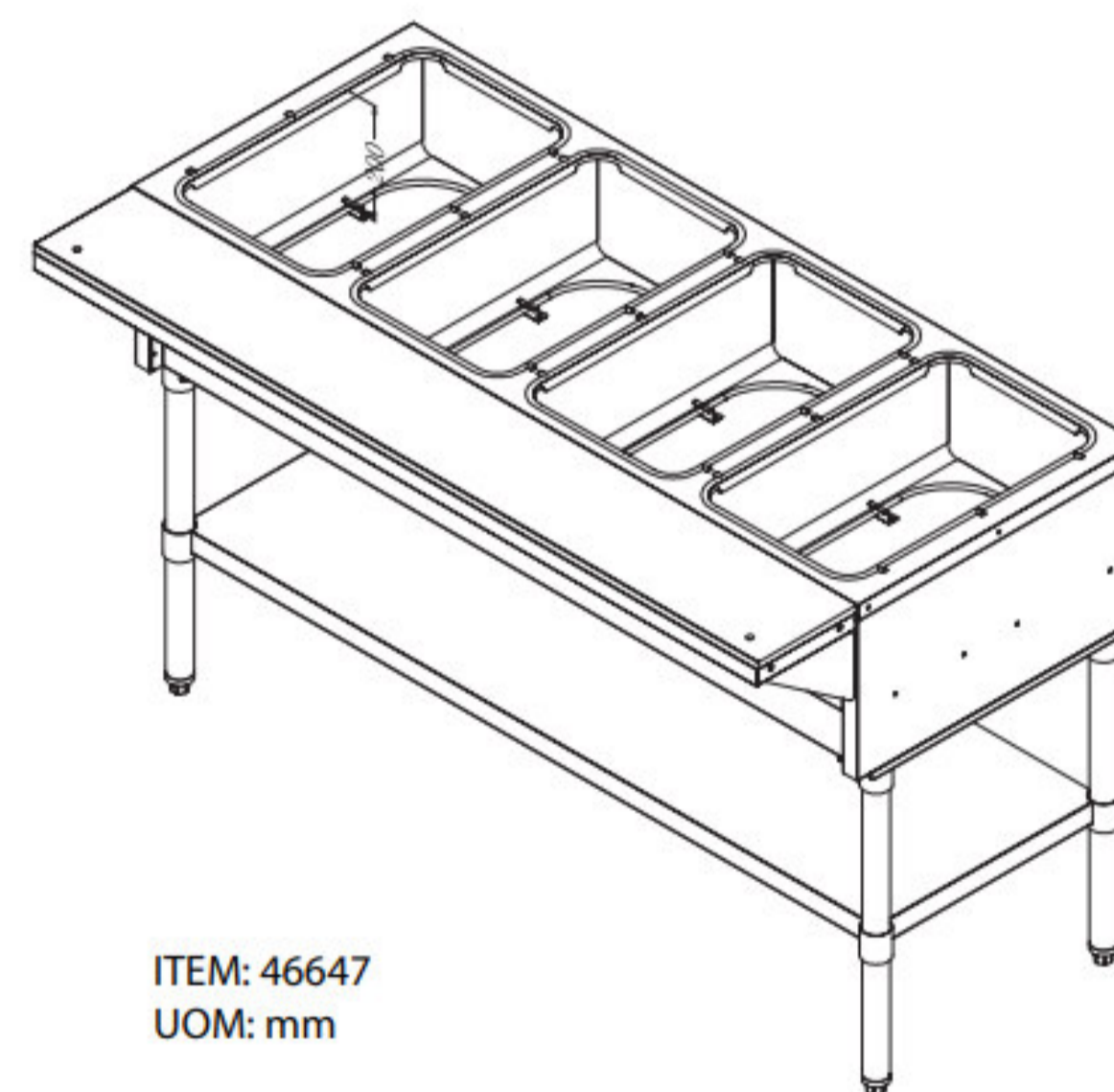
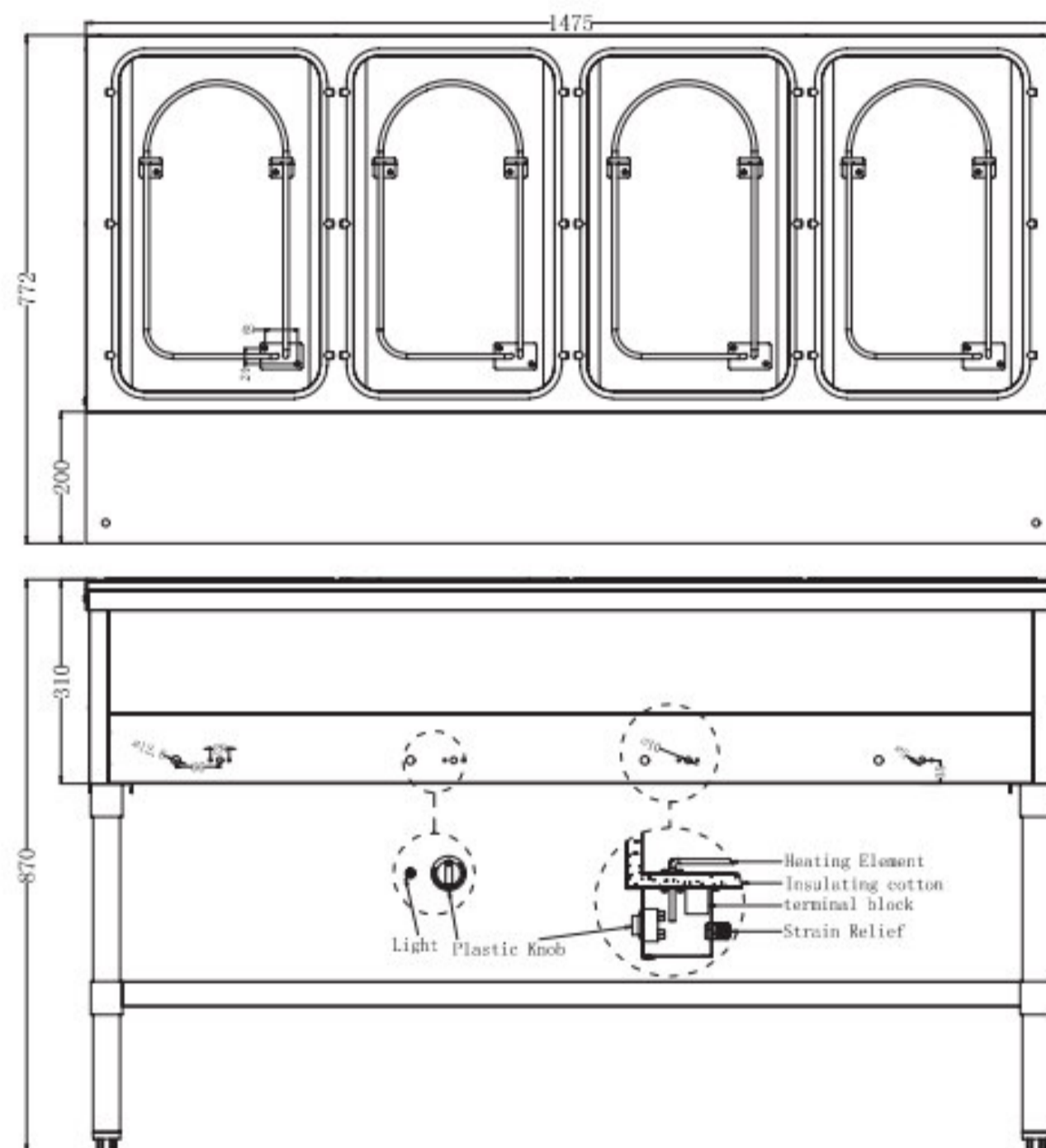
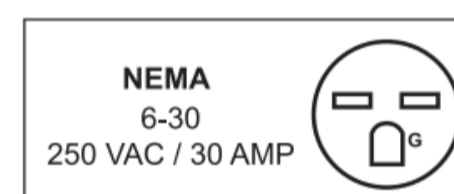
FEATURES

- Stainless steel structure with individual control
- Adjustable stainless steel undershelf and removable Polyethylene cutting board
- Adjustable stainless steel feet
- Stainless steel heating element
- 4 independent infinite controls
- Pans not included

OPTIONAL ACCESSORIES

- Full Size Pan
- Spillage Pan

TECHNICAL DRAWINGS WITH DETAILED DIMENSIONS



NELLA

WWW.NELLAONLINE.COM
HELP@NELLAONLINE.COM

LOCATIONS

148 NORFINCH DR
NORTH YORK, ON,
M3N 1X8
416-740-2424

433 QUEEN ST E.
TORONTO, ON,
M5A 1T5
416-847-1112

1164 ELLESMERE ROAD
SCARBOROUGH, ON,
M3N 1X8
416-292-0828