

14.5-INCH BLADE HORIZONTAL BELT-DRIVEN SLICER

Built for durability and consistent slicing

Assuring high performance with
maximum safety

Fully hand-operated



FEATURES:

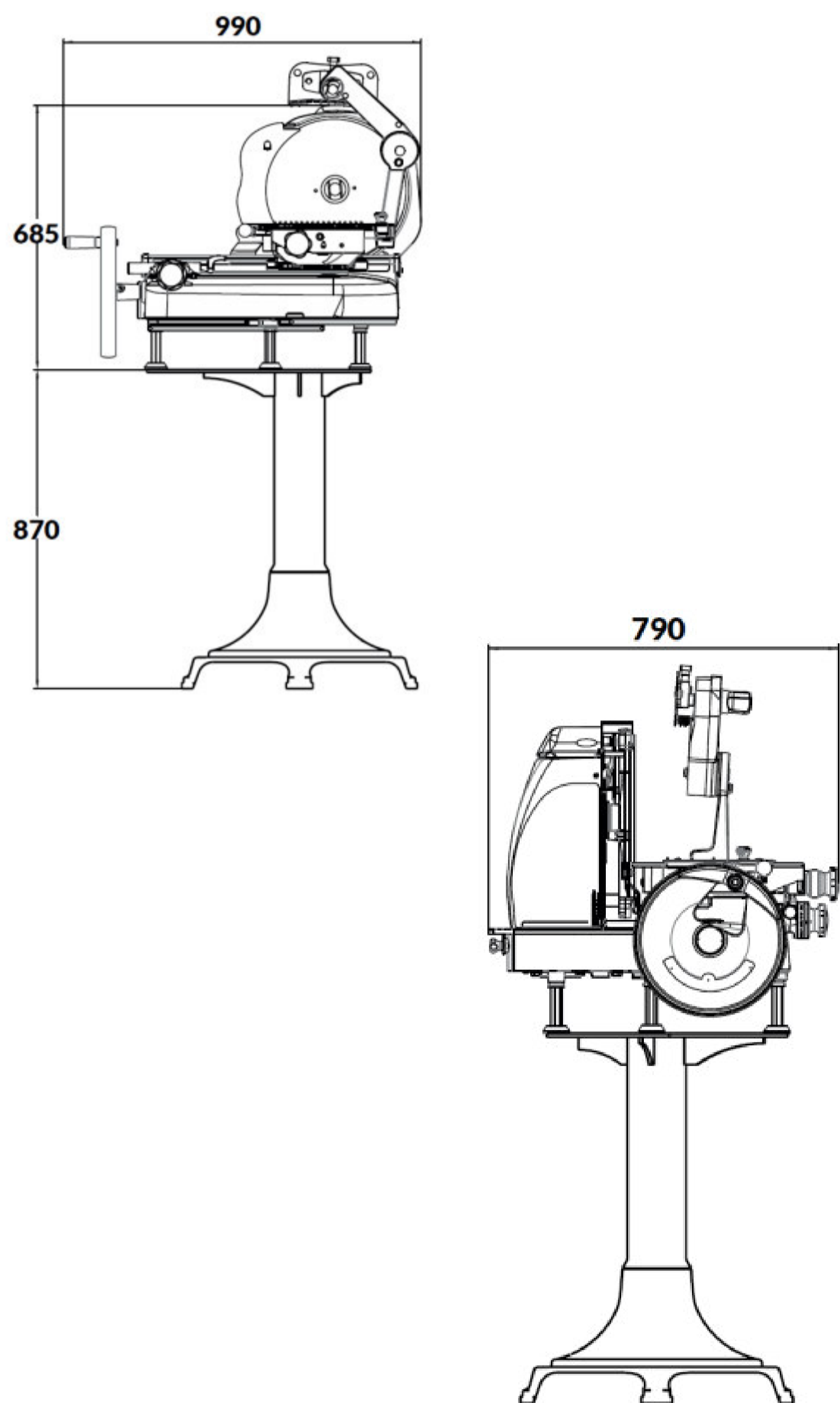
- The Precise Slice-Thickness Knob (0-4 Mm) Assures Very Thin Slices For The Enjoyment Of The Taste Of Your Special Products.
- The Pusher Prevents The Displacement Of The Product On The Plate, So That All Slices Are Perfectly Cut.
- Easy To Operate And Clean



**1 YEAR
WARRANTY**
PARTS AND LABOUR

14.5-INCH BLADE HORIZONTAL BELT-DRIVEN SLICER

TECHNICAL DRAWINGS WITH DETAILED DIMENSIONS



SPECIFICATION

DESCRIPTION

14.5-INCH BLADE
HORIZONTAL BELT-DRIVEN
SLICER

BLADE SIZE

14.5" / 370 MM

CUTTING SIZE

11.4" X 10.2"

CUT THICKNESS RANGE

0 - 4 MM

DIMENSIONS

31.1" X 39" X 27" / 790 X
990 X 685 MM

NET WEIGHT

176.37 LBS. / 80 KG.



NELLA

WWW.NELLAONLINE.COM
HELP@NELLAONLINE.COM

LOCATIONS

148 NORFINCH DR
NORTH YORK, ON,
M3N 1X8
416-740-2424

433 QUEEN ST E.
TORONTO, ON,
M5A 1T5
416-847-1112

1164 ELLESMERE ROAD
SCARBOROUGH, ON,
M3N 1X8
416-292-0828