

STAINLESS STEEL HYDRAULIC PISTON SAUSAGE STUFFERS - 26 LB CAPACITY



FEATURES



ERGONOMIC KNEE LEVER, REVERSIBLE OPERATING DIRECTION.



REMOVABLE LID, ADJUSTABLE LID LOCK NUTS WITH HANDLES



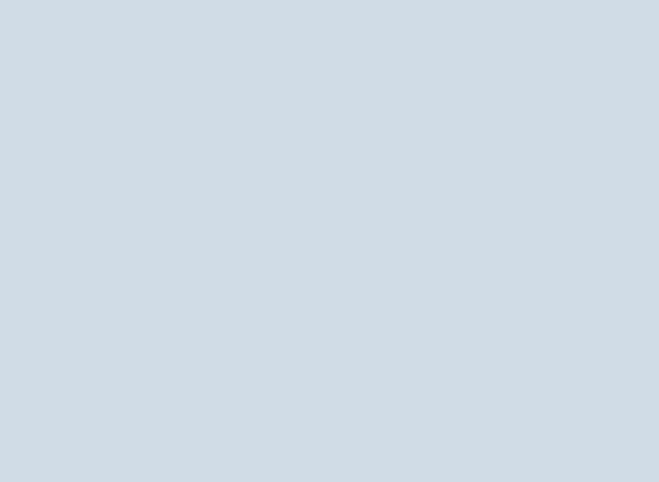
SPEED CONTROL & PRESSURE GAUGE.



New!
3 TRANSPARENT NOZZLES, Ø EXT 14, 20 AND 30 MM. MAXIMUM HYGIENE, WITHOUT EDGES



ADJUSTABLE ANTI-VIBRATION FEET.



FULLY S/S BARREL BOTTOM WITH WATER DRAINING OULET. SIMPLE CLEANING



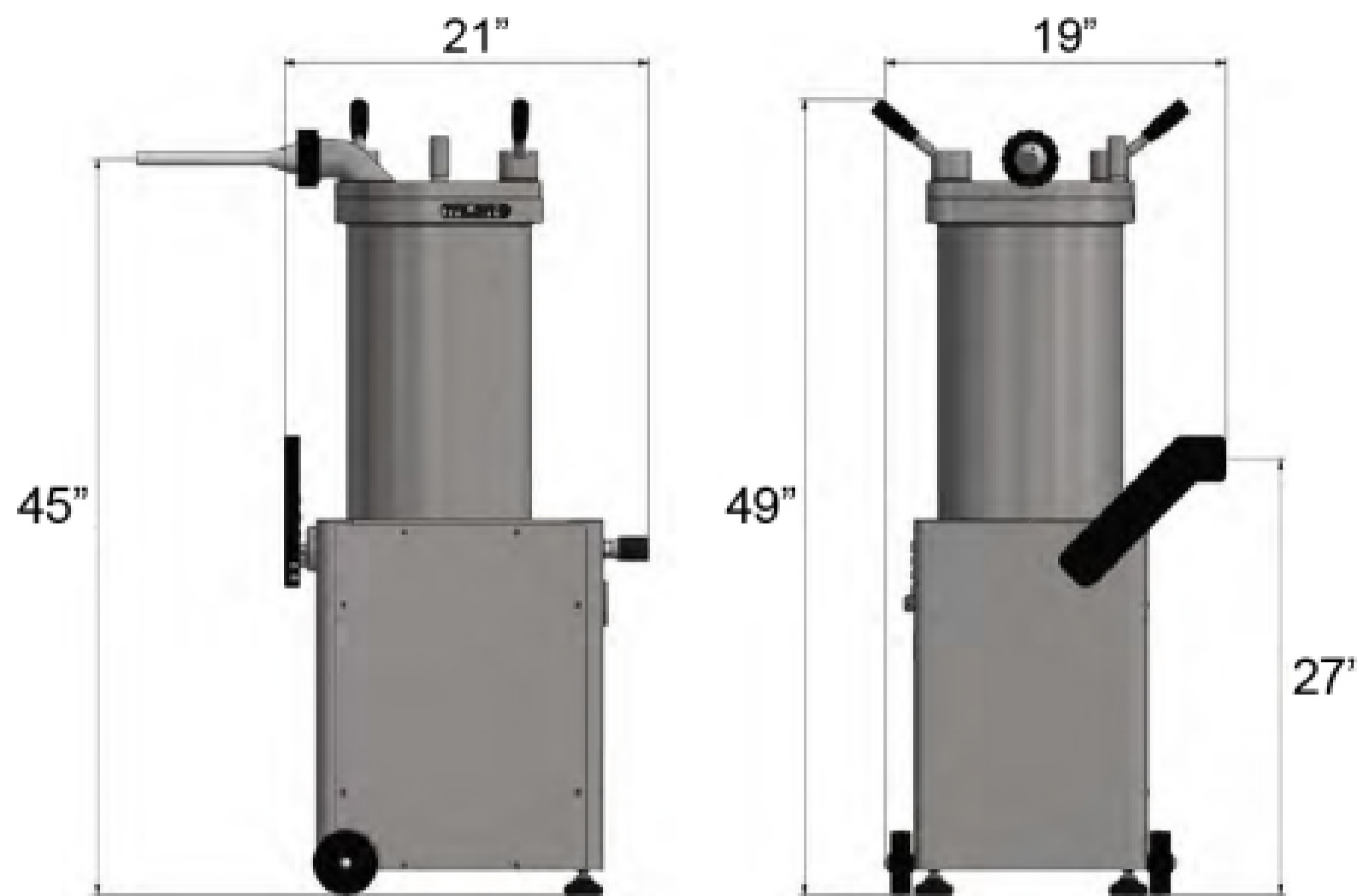
MADE IN SPAIN



1 YEAR
WARRANTY
PARTS AND LABOUR

STAINLESS STEEL HYDRAULIC PISTON SAUSAGE STUFFERS - 26 LB CAPACITY

TECHNICAL DRAWINGS WITH DETAILED DIMENSIONS



TECHNICAL SPECIFICATIONS

POWER

AMPS

BARREL CAPACITY

APPROX. MEAT CAPACITY

OPERATING TEMPERATURE

OPERATING RELATIVE HUMIDITY

ELECTRICAL

NET WEIGHT

GROSS WEIGHT

DIMENSIONS (DWH)

GROSS DIMENSIONS (DWH)

110V/60HZ/1PH

1 HP / 0.75 kW

11 AMPS

14.2 L / 3.7 Gal

26 lbs. / 11 kg.

5°C - 40°C / 40°F - 100°F

20% - 90%

110V / 60Hz / 1Ph

265 lbs. / 120 kg.

310 lbs. / 140 kg.

21" x 19" x 49" / 533.4 x 482.6 x 1244.6 mm

17" x 27" x 54" / 430 x 680 x 1370 mm

220V/60HZ/1PH

1 HP / 0.75 kW

5 AMPS

14.2 L / 3.7 Gal

26 lbs. / 11 kg.

5°C - 40°C / 40°F - 100°F

20% - 90%

220V / 60Hz / 1Ph

265 lbs. / 120 kg.

310 lbs. / 140 kg.

21" x 19" x 49" / 533.4 x 482.6 x 1244.6 mm

17" x 27" x 54" / 430 x 680 x 1370 mm

208V/60HZ/3PH

0.75 HP / 0.55 kW

3.6 AMPS

14.2 L / 3.7 Gal

26 lbs. / 11 kg.

5°C - 40°C / 40°F - 100°F

20% - 90%

208V / 60Hz / 3Ph

265 lbs. / 120 kg.

310 lbs. / 140 kg.

21" x 19" x 49" / 533.4 x 482.6 x 1244.6 mm

17" x 27" x 54" / 430 x 680 x 1370 mm

NELLA

WWW.NELLAONLINE.COM
HELP@NELLAONLINE.COM

LOCATIONS

**148 NORFINCH DR
NORTH YORK, ON,
M3N 1X8
416-740-2424**

**433 QUEEN ST E.
TORONTO, ON,
M5A 1T5
416-847-1112**

**1164 ELLESMERE ROAD
SCARBOROUGH, ON,
M3N 1X8
416-292-0828**