

STAINLESS STEEL HYDRAULIC PISTON SAUSAGE STUFFER - 65 LBS. CAPACITY



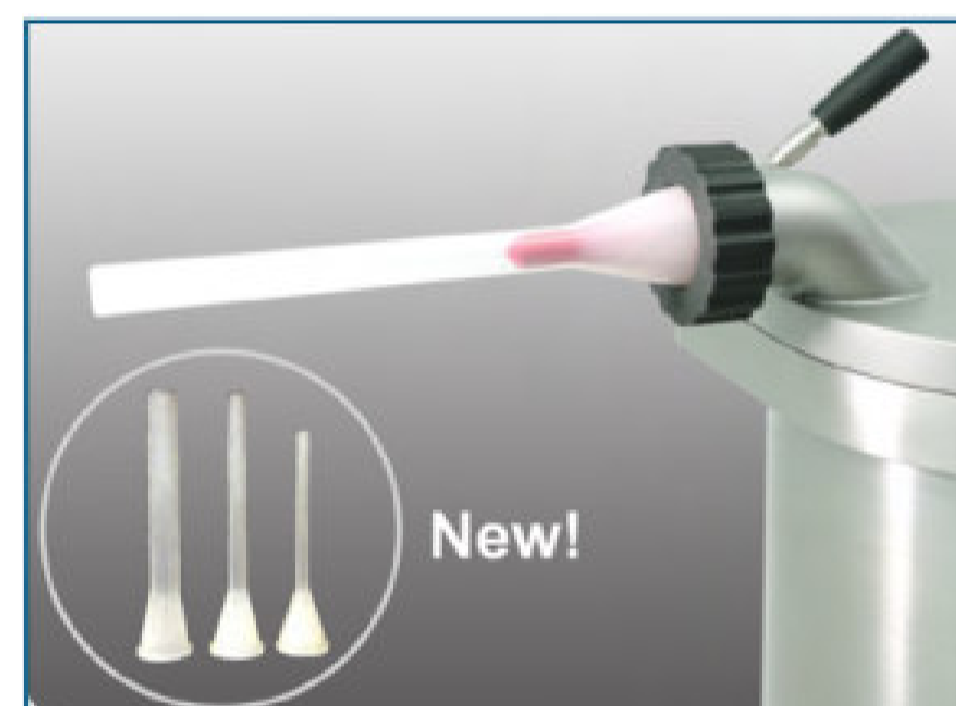
Ergonomic knee lever. Reversible operating direction.



Removable lid, adjustable lid lock nuts and handle.



Speed control and pressure gauge.



3 transparent nozzle. Sizes: 14, 20, and 30mm. Maximum hygiene, without edges.



Adjustable anti-vibration feet.



Fully s/s barrel bottom with water draining outlet. Simple cleaning.

STAINLESS STEEL HYDRAULIC PISTON SAUSAGE STUFFER - 65 LBS. CAPACITY

SPECIFICATION

**ELECTRICAL
POWER
AMPS**

**110V / 60HZ / 1PH
1.75 HP / 1.3 KW
18 AMPS**

**208-220V / 60HZ / 3PH
1.5 HP / 1.10 KW
5.6 AMPS**

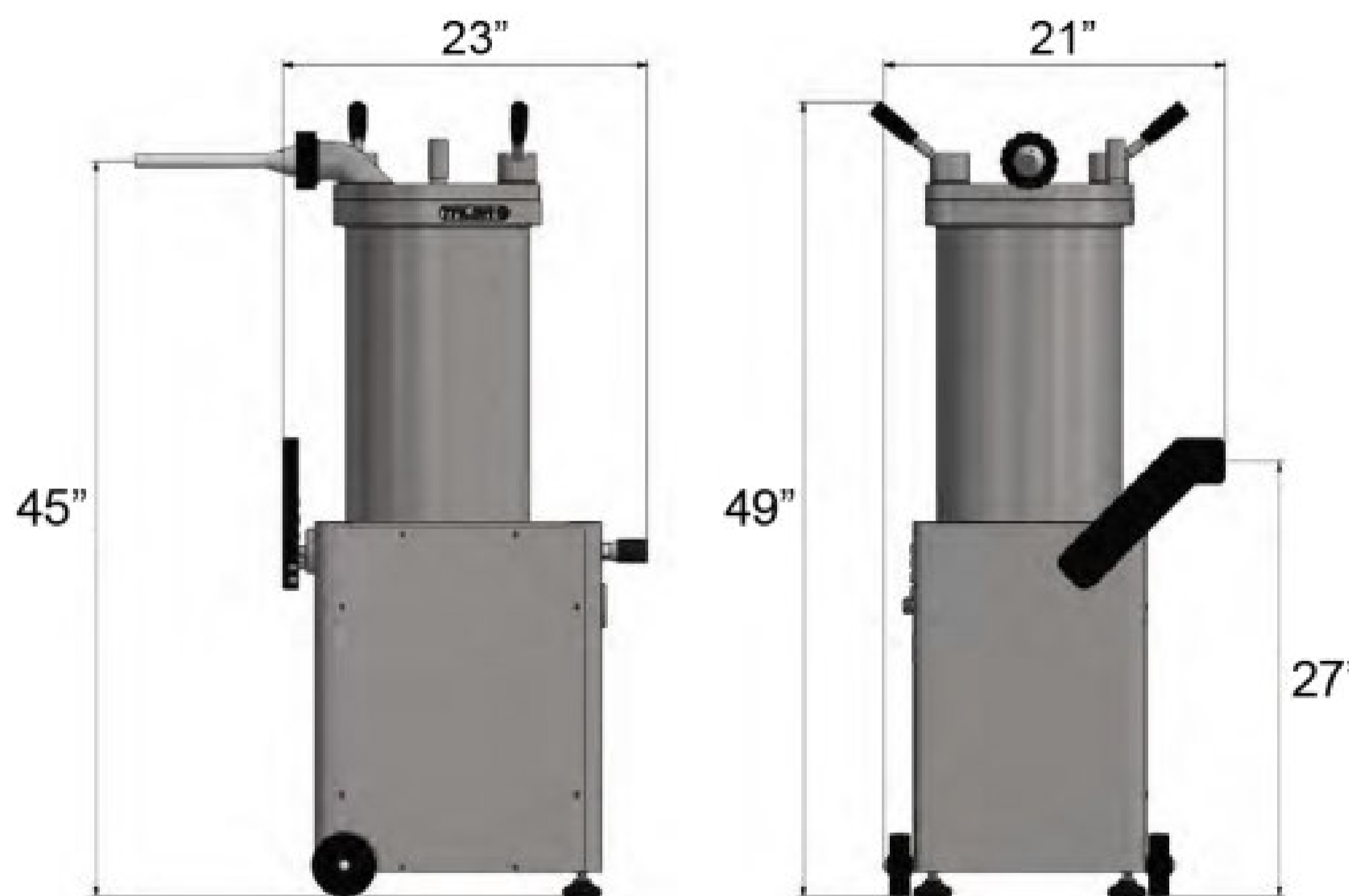
**220V / 60HZ / 1PH
1.75 HP / 1.3 KW
8.8 AMPS**

**BARREL CAPACITY
APPROX. MEAT CAPACITY
OPERATING TEMP.
OP. RELATIVE HUMIDITY
NET WEIGHT
GROSS WEIGHT
DIMENSIONS (DWH)
GROSS DIMENSIONS**

**35 L / 9.2 GAL
65 LBS. / 28 KG.
5°C - 40°C / 40°F - 100°F
20% - 90%
350 LBS. / 160 KG.
400 LBS. / 180 KG.**

**23" X 21" X 49" / 570 X 530 X 1244.6 MM
21" X 27" X 54" / 530 X 680 X 1370 MM**

TECHNICAL DRAWINGS WITH DETAILED DIMENSIONS



WWW.NELLAONLINE.COM
HELP@NELLAONLINE.COM

LOCATIONS

**148 NORFINCH DR
NORTH YORK, ON,
M3N 1X8
416-740-2424**

**433 QUEEN ST E.
TORONTO, ON,
M5A 1T5
416-847-1112**

**1164 ELLESMERE ROAD
SCARBOROUGH, ON,
M3N 1X8
416-292-0828**