

## VACUUM PACKAGING MACHINE

### M50 HEAVY-DUTY VACUUM PACKAGING MACHINE 100M<sup>3</sup> VACUUM PUMP

PLUG-AND-PLAY  
TABLETOP VACUUM  
PACKAGING  
MACHINES FOR  
**CATERING AND  
RESTAURANTS**



#### MAIN FEATURES:

- ☆ **High-quality**  
Busch vacuum pump
- ☆ **Deep-drawn**  
vacuum chamber
- ☆ **Maintenance friendly**  
construction
- ☆ **Cable free**  
welding bar construction
- ☆ **Optional:**  
Starter kit with consumable  
(Teflon tape, welding wire)
- ☆ **Standard 10 Program**  
Digital Time Control
- ☆ **Trenn (pre-cut)**  
/ 1-2 / Bi-Active seal

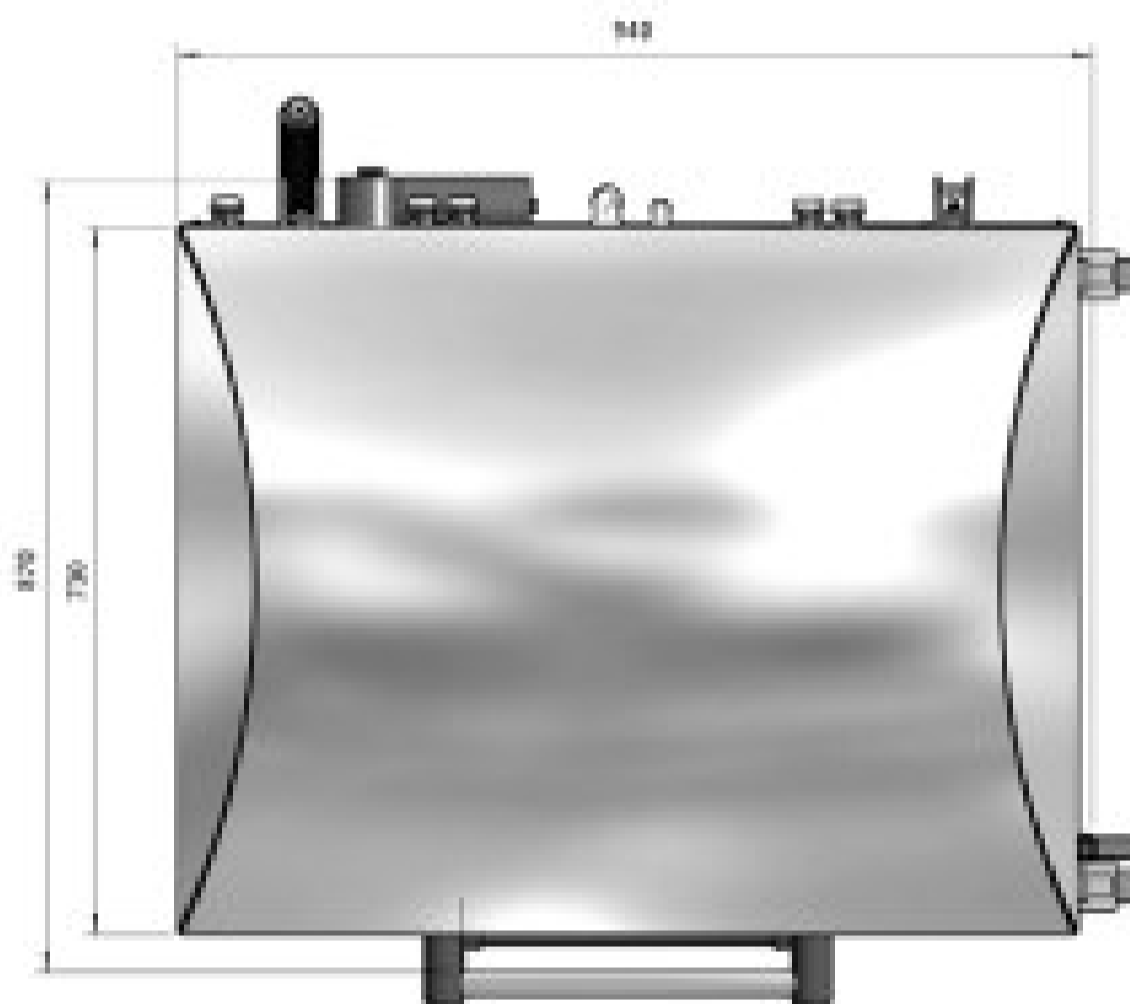
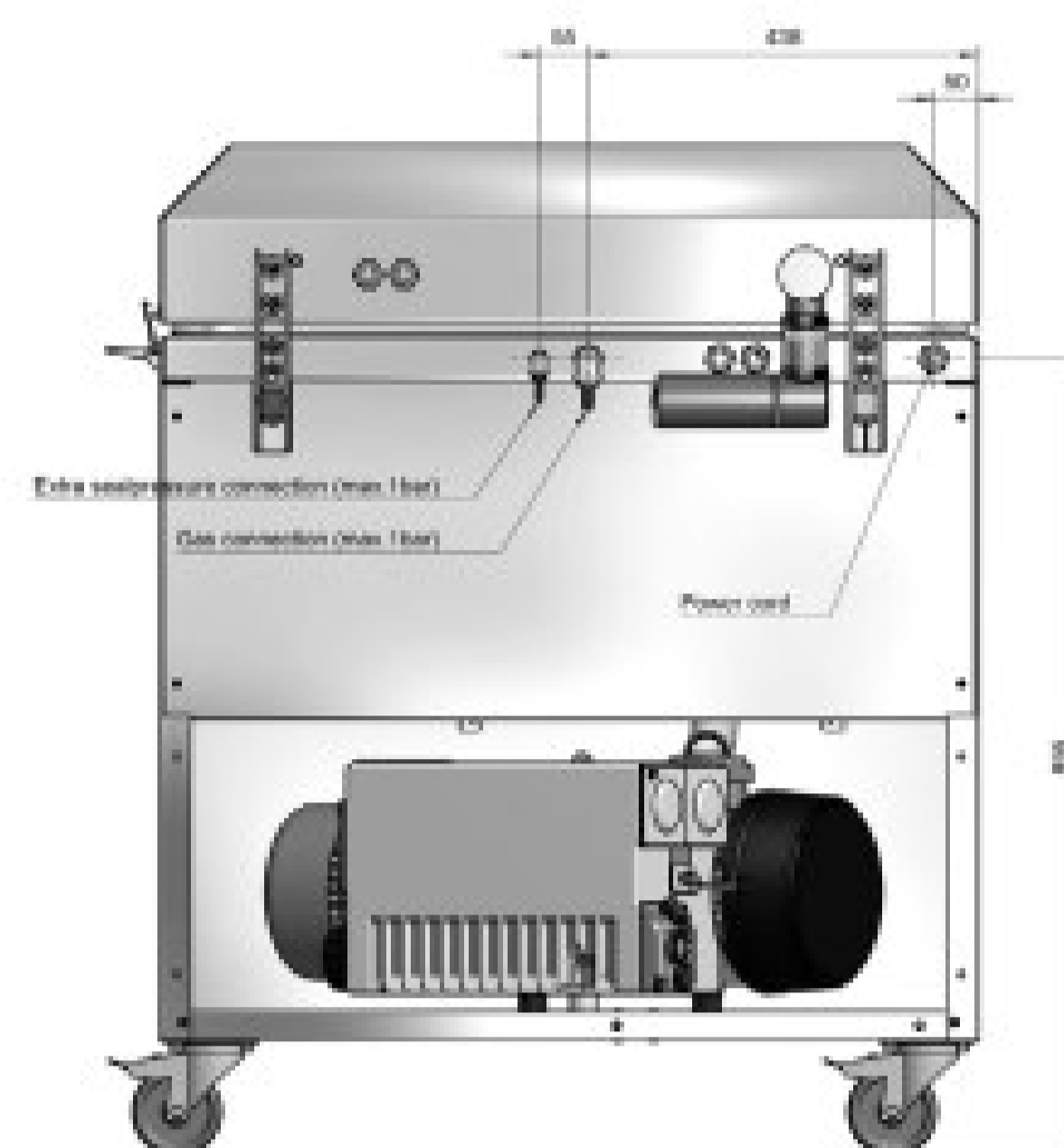


**1 YEAR  
WARRANTY**  
PARTS AND LABOUR

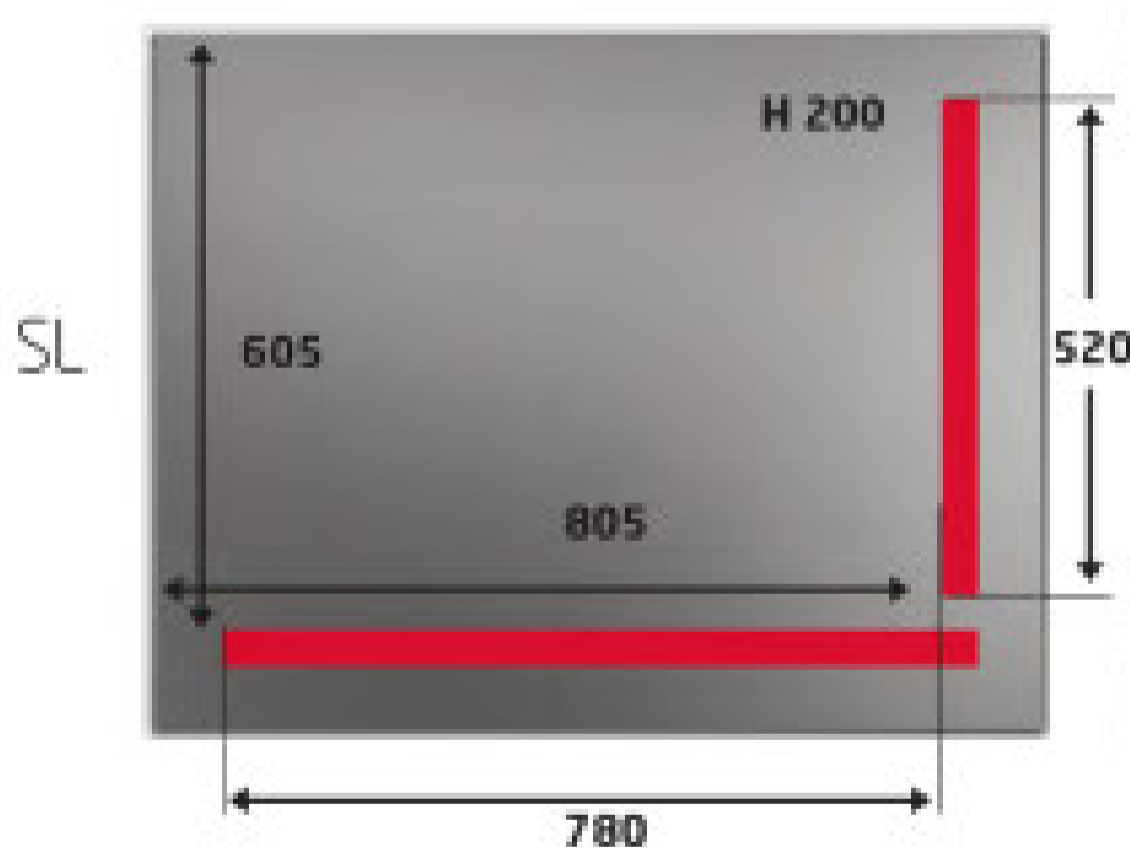
M50 HEAVY-DUTY VACUUM PACKAGING MACHINE 100M<sup>3</sup> VACUUM PUMP

**TECHNICAL DRAWINGS & DIMENSIONS**

\*measurements in diagrams are in mm



**SEAL CONFIGURATIONS**



**TECHNICAL SPECIFICATIONS**

Vacuum Packaging Machine 100m <sup>3</sup>	
Item Number	50022
Model	M50-LS
Seal	Double
Seal Length	745 - 805 - 820mm 29.3" - 31.7" - 32.3"
Description	Stainless Steel Cover Flat Working Surface
Voltage	220V/ 60 Hz/ 3
Digital Time Control	10 Programs
Pump Capacity	63 m <sup>3</sup> /h
Net Dimensions	940 x 870 x 1140 mm 37"D x 34.2"W x 44.9"H
Weight	308 kg/ 679 lbs
Optional	
Filler Plates	Yes
Sensor Control	Sensor/ H <sub>2</sub> O
Soft Air	Soft Air
Seal	Trenn (pre-cut) / 1-2 / Bi-Active
Gas	Gas
Pump Upgrade	100 or 160 m <sup>3</sup>



WWW.NELLAONLINE.COM  
HELP@NELLAONLINE.COM

LOCATIONS

148 NORFINCH DR  
NORTH YORK, ON,  
M3N 1X8  
416-740-2424

433 QUEEN ST E.  
TORONTO, ON,  
M5A 1T5  
416-847-1112

1164 ELLESMERE ROAD  
SCARBOROUGH, ON,  
M3N 1X8  
416-292-0828