

27" 120L COUNTERTOP REFRIGERATED SHOWCASE

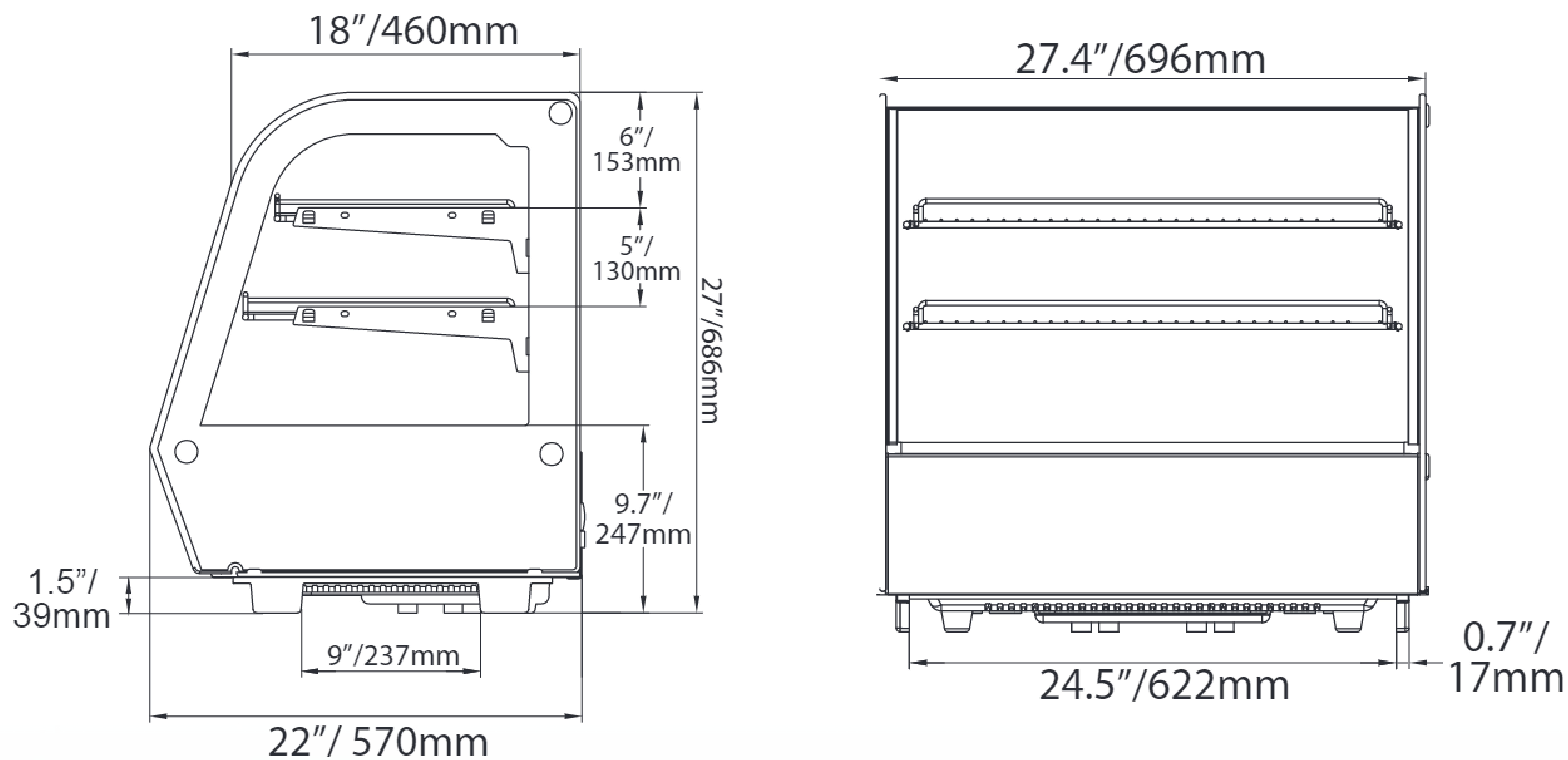


**ATTRACTIVELY DESIGNED
TO BOOST IMPULSE SALES**

Nella's 27-inch 120L Countertop Refrigerated Display Case helps boost impulse sales of your most popular food anytime! This refrigerated display case has interior LED lights on top for better product visibility. Boasting a powerful 230 Watts Input Power, this unit also features ventilated cooling system and automatic defrost.

[HTTPS://WWW.NELLAONLINE.COM/PRODUCTS/NELLA-27-COUNTERTOP-REFRIGERATED-DISPLAY-SHOWCASE-44629](https://www.nellaonline.com/products/nella-27-countertop-refrigerated-display-showcase-44629)

TECHNICAL DRAWINGS WITH DETAILED DIMENSIONS



FEATURES

- Brilliant internal LED lighting on top
- Digital temperature controller and display
- Adjustable chrome plated shelves
- 4 sides are double glass
- Front curved glass
- Ventilated cooling system
- Automatic defrost
- Air duct outside the glass to remove water condensation

TECHNICAL SPECIFICATIONS

POWER	230 W
CAPACITY	120L / 4.24 Cu. Ft
REFRIGERANT	R-290
TEMPERATURE RANGE	0° - 12°C / 32° - 53.5°F
ELECTRICAL	110V / 60Hz / 1Ph
SHELF DIMENSIONS	(1) 25" x 13" / 636 x 335 mm, (1) 25" x 14.4" / 636 x 367 mm
SHELF LOAD CAPACITY	33 lbs. / 15 kg.
NET DIMENSIONS (WDH)	27.4" x 22" x 27 / 696 x 570 x 686 mm
GROSS DIMENSIONS	30" x 25" x 30" / 880 x 560 x 686 mm
NET WEIGHT	126 lbs. / 57 kg..
GROSS WEIGHT	132 lbs/ 60 kg.
RECEPTACLE	NEMA 5-15 125 VAC/15 AMP



1 YEAR
WARRANTY
PARTS AND LABOUR