

## FOOD WARMER

### DOUBLE BOTTLE SAUCE WARMER

The Nella Sauce Bottle Warmer keeps your toppings and sauces at optimal temperature for your customers. This unit comes with two 1-spout 32-oz bottles.



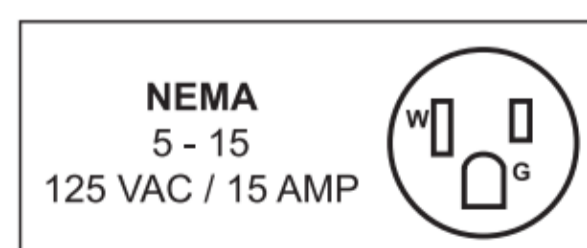
Designed for easy use with just a flick of a switch.



The inserts are built into the stainless steel frame making the unit durable and easy to clean.

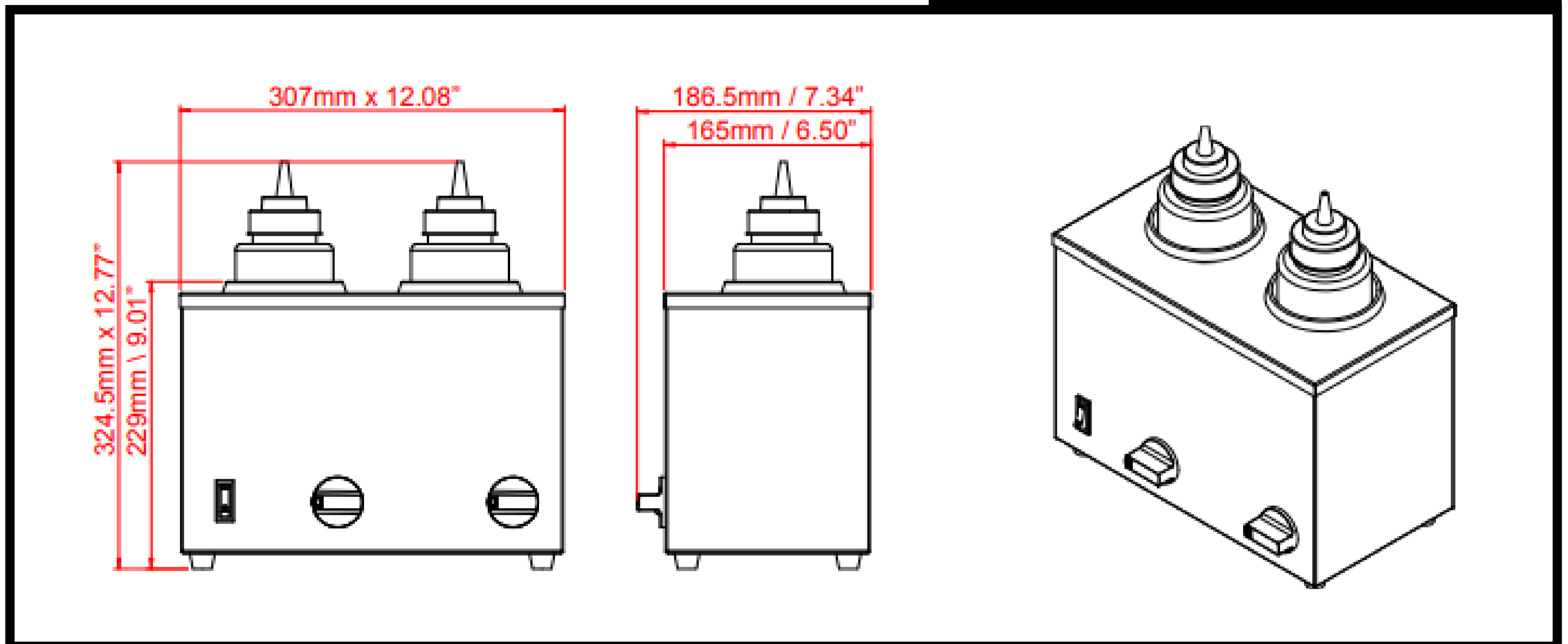


The temperature is controlled by an adjustable temperature dial which ranges from 45°-90°C.



# DOUBLE BOTTLE SAUCE WARMER

TECHNICAL DRAWINGS WITH DETAILED DIMENSIONS



## SPECIFICATION

DESCRIPTION  
 MATERIAL  
 TEMPERATURE RANGE  
 POWER  
 ELECTRICAL  
 NET WEIGHT  
 GROSS WEIGHT  
 DIMENSIONS (DWH)  
 GROSS DIMENSIONS

### DOUBLE BOTTLE SAUCE WARMER

STAINLESS STEEL  
 45°C / 60°C / 75°C / 90°C | 113°F / 140°F / 167°F / 194°F  
 400W  
 120V / 60HZ / 1  
 4.2 KG / 9.26 LBS  
 4.8 KG / 10.58 LBS  
 7.34" X 12.08" X 12.77" / 167MM X 186.5MM X 324.3MM  
 14.76" X 10.04" X 14.76" / 375MM X 255MM X 375MM



**NELLA**

WWW.NELLAONLINE.COM  
 HELP@NELLAONLINE.COM

LOCATIONS

148 NORFINCH DR  
 NORTH YORK, ON,  
 M3N 1X8  
 416-740-2424

433 QUEEN ST E.  
 TORONTO, ON,  
 M5A 1T5  
 416-847-1112

1164 ELLESMERE ROAD  
 SCARBOROUGH, ON,  
 M3N 1X8  
 416-292-0828