



# TABLES AND SINKS

SERVING THE FOOD INDUSTRY SINCE 1951

## 10" X 14" X 10" THREE TUB SINK - 3.5" CENTER DRAIN

Item: 43758

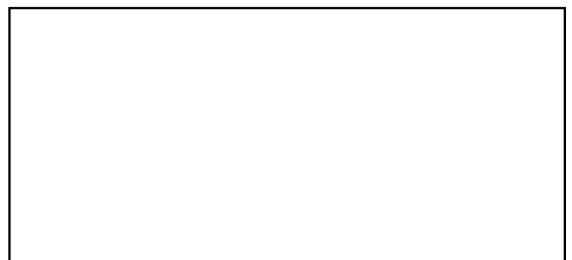


### HIGH QUALITY

18-Gauge Stainless Steel  
3 Tub Sink With 16-Gauge  
Galvanized Legs



LIMITED  
**WARRANTY**



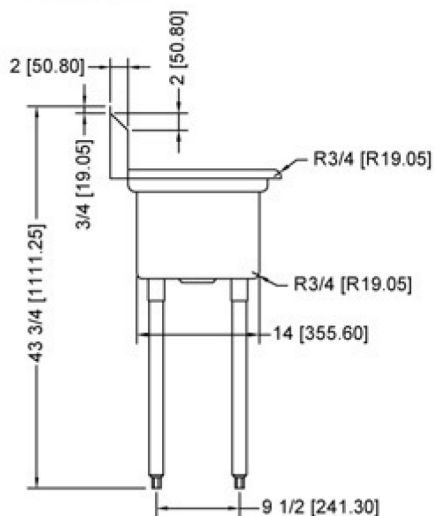
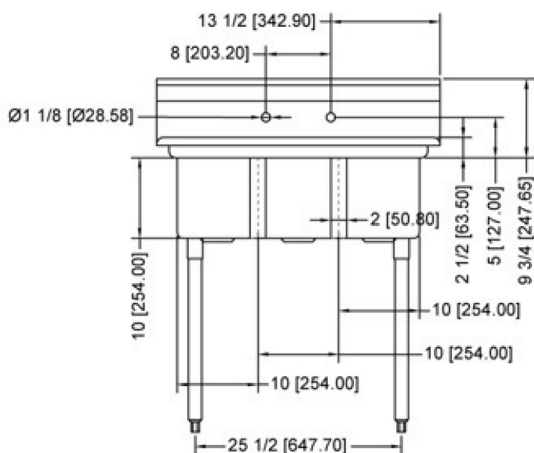
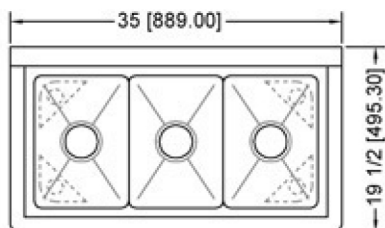
Authorized Dealer

# TABLES AND SINKS

## 10" X 14" X 10" THREE TUB SINK

# NELLA

### TECHNICAL DRAWING WITH DIMENSIONS



Center Drain



Raised Edges



16-Gauge Galvanized Legs



Rounded corner

### TECHNICAL SPECIFICATIONS

ITEM NUMBER	43758
DESCRIPTION	Three Tub Sink with center drain
SINK SIZE	10" x 14" x 10" / 254 x 355.6 x 254 mm
DRAIN SIZE	3.5" / 89 mm
OVERALL DIMENSIONS (WDH)	35" x 19.5" x 43.75" / 889 x 495 x 1111.25 mm
WEIGHT	32.56 lbs. / 14.8 kgs.



# NELLA

Telephone: 416-740-2424  
 Email: [help@nellaonline.com](mailto:help@nellaonline.com)  
 Website: [www.nellaonline.com](http://www.nellaonline.com)