



TABLES AND SINKS

SERVING THE FOOD INDUSTRY SINCE 1951

10" X 14" X 10" THREE TUB SINK - 3.5" CENTER DRAIN AND RIGHT DRAIN BOARD

Item: 43757

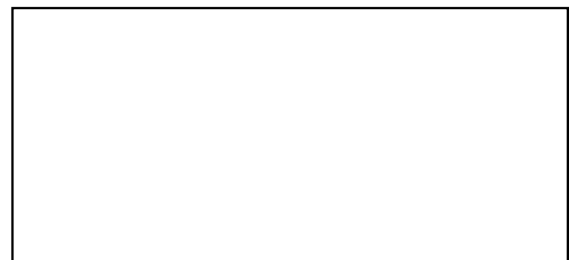


HIGH QUALITY

18-Gauge Stainless Steel
3 Tub Sink With 16-Gauge
Galvanized Legs



LIMITED
WARRANTY



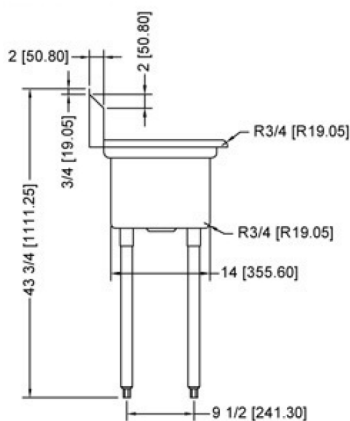
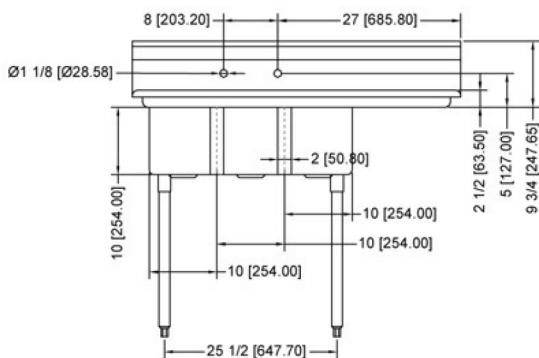
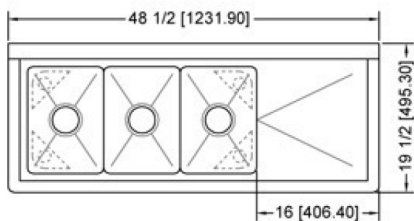
Authorized Dealer

TABLES AND SINKS

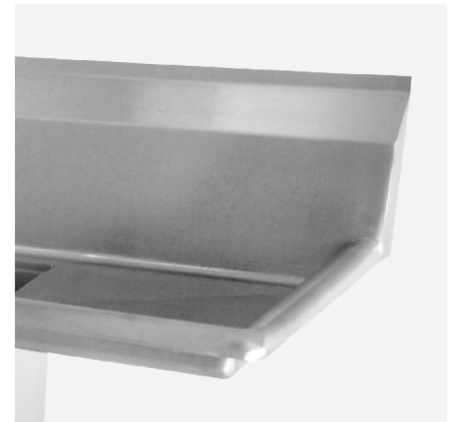
10" X 14" X 10" THREE TUB SINK

NELLA

TECHNICAL DRAWING WITH DIMENSIONS



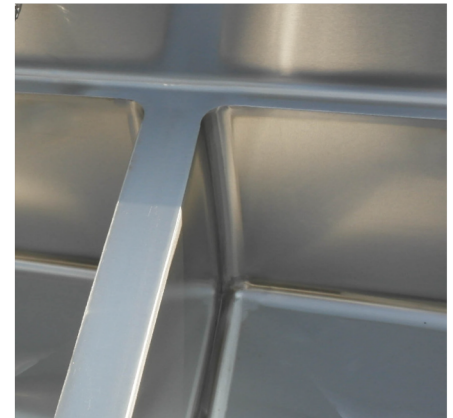
Center Drain



Raised Edges



16-Gauge Galvanized Legs



Rounded corner

TECHNICAL SPECIFICATIONS

ITEM NUMBER

43757

DESCRIPTION

Three Tub Sink with right drain board and center drain

SINK SIZE

10" x 14" x 10" / 254 x 355.6 x 254 mm

DRAIN SIZE

3.5" / 89 mm

OVERALL DIMENSIONS (WDH)

48.5" x 19.5" x 43.75" /
1232 x 495 x 1111.3 mm

WEIGHT

37.84 lbs. / 17 kgs.



NELLA

Telephone: 416-740-2424
Email: help@nellaonline.com
Website: www.nellaonline.com