

SERVING THE FOOD INDUSTRY SINCE 1951

COUNTERTOP ELECTRIC PASTA COOKER WITH 6L (x2) CAPACITY

Item: 43559

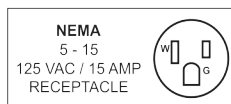
Model: CE-CN-0004-A



- ⊕ Durable stainless steel construction
- ⊕ 6L (x2) capacity
- ⊕ 4 baskets included
- ⊕ Non-slip rubber feet



WARRANTY
PARTS AND LABOR



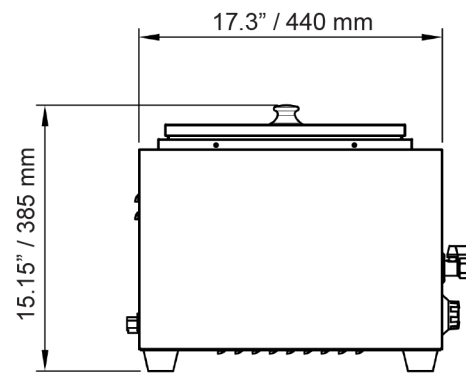
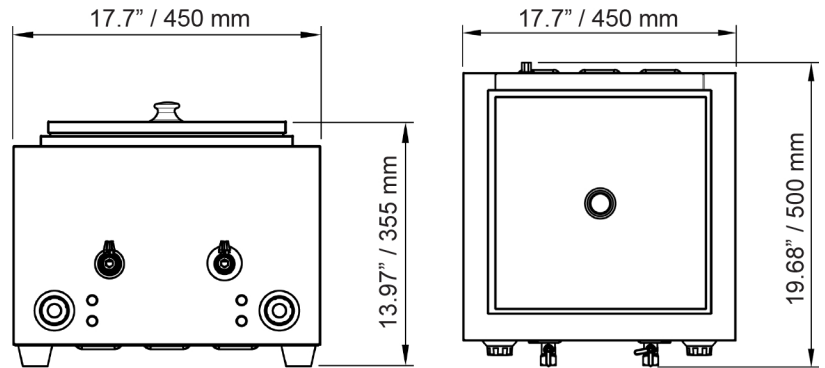
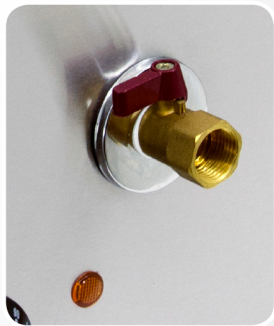
Authorized Dealer

COOKING EQUIPMENT

COUNTERTOP ELECTRIC PASTA COOKER - 6L (x2) CAPACITY

NELLA

DETAILED IMAGES



TECHNICAL SPECIFICATIONS

ITEM NUMBER	43559
MODEL	CE-CN-0004-A
CAPACITY	6L (x2)
NUMBER OF BASKET	4
BASKET DIMENSIONS	5.43 / "138 mm (Dia.), 5.5" / 140 mm (H) Over-all Height with Handle: 13" / 330.2 mm
MAX. TEMPERATURE	110°C / 230°F
POWER	1.2 + 1.2 kW
ELECTRICAL	120V / 60Hz / 1Ph
NET DIMENSIONS	17.7" x 19.7" x 15.15" / 450 x 500 x 385 mm
GROSS DIMENSIONS	20.86" x 20" x 14.7" / 530 x 510 x 375 mm
NET WEIGHT	25.7 lbs. / 11.65 kg.
GROSS WEIGHT	33 lbs. / 15 kg.



1 YEAR WARRANTY
PARTS AND LABOR

NEMA
5 - 15
125 VAC / 15 AMP
RECEPTACLE



NELLA

Telephone: 416-740-2424
Email: help@nellaonline.com
Website: www.nellaonline.com