

SERVING THE FOOD INDUSTRY SINCE 1951

COUNTERTOP ELECTRIC PASTA COOKER WITH 4L CAPACITY

Item: 43557

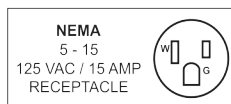
Model: CE-CN-0002-B



- ⊕ Durable stainless steel construction
- ⊕ 4L capacity
- ⊕ 2 baskets included
- ⊕ Non-slip rubber feet



WARRANTY
PARTS AND LABOR



Authorized Dealer

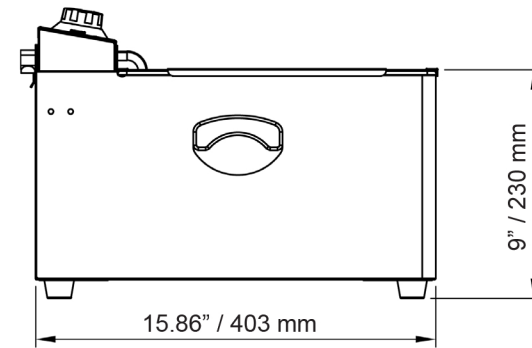
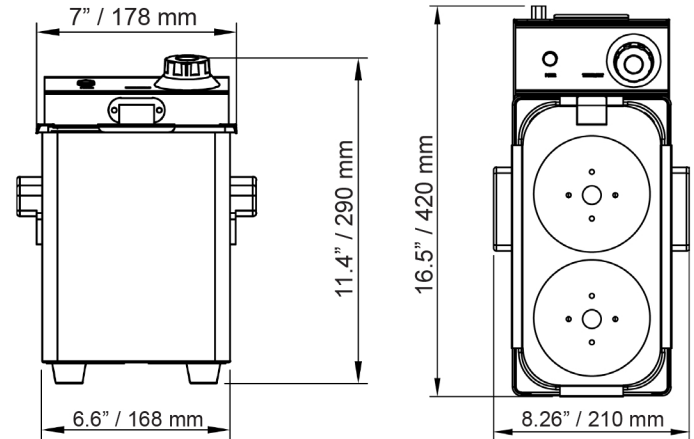
COOKING EQUIPMENT

COUNTERTOP ELECTRIC PASTA COOKER - 4L CAPACITY



NELLA

DETAILED IMAGES



TECHNICAL SPECIFICATIONS

ITEM NUMBER	43557
MODEL	CE-CN-0002-B
CAPACITY	4L
NUMBER OF BASKET	2
BASKET DIMENSIONS	5" / 128 mm (Dia.), 4.5" / 115 mm (H) Over-all Height with Handle: 13" / 330.2 mm
MAX. TEMPERATURE	110°C / 230°F
POWER	1.2 kW
ELECTRICAL	120V / 60Hz / 1Ph
NET DIMENSIONS	8.26" x 16.5" x 11.4" / 210 x 420 x 290 mm
GROSS DIMENSIONS	18.7" x 10.6" x 12.8" / 475 x 270 x 325 mm
NET WEIGHT	10.7 lbs. / 4.85 kg.
GROSS WEIGHT	13.2 lbs. / 6 kg.



WARRANTY
PARTS AND LABOR

NEMA
5 - 15
125 VAC / 15 AMP
RECEPTACLE



NELLA

Telephone: 416-740-2424
 Email: help@nellaonline.com
 Website: www.nellaonline.com