

## HANDLING AND STORAGE

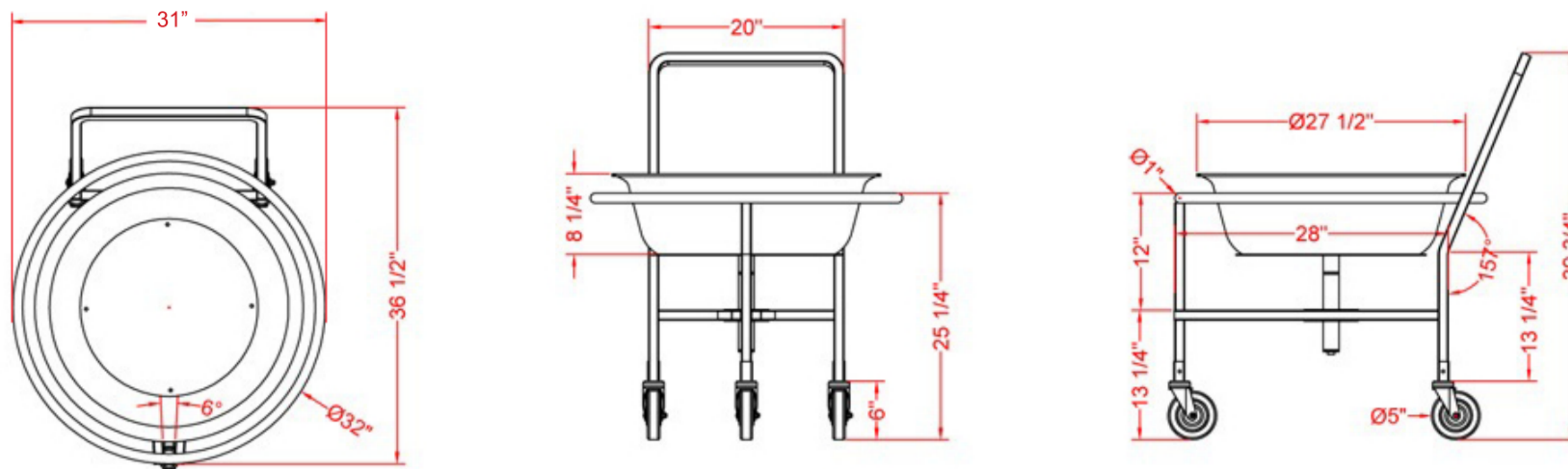
### STAINLESS STEEL ROTO CART

**CONVENIENTLY AND SAFELY  
TRANSPORT FOOD PRODUCTS  
FROM ONE PLACE TO ANOTHER**



# STAINLESS STEEL ROTO CART

## TECHNICAL DRAWINGS WITH DETAILED DIMENSIONS



## TECHNICAL SPECIFICATIONS

**DESCRIPTION**

Stainless Steel Cart with 3 Fully Welded Wheels

**LOADING CAPACITY**

220 lbs. / 100 kg.

**WEIGHT**

45 lbs. / 20.4 kg.

**PACKAGING WEIGHT**

49 lbs. / 22.2 kg.

**DIMENSIONS (DWH)**

36.5" x 31" x 39.75" / 927.1 x 787.4 x 1009.65 mm

**PACKAGING DIMENSIONS**

37" x 34" x 41" / 939.8 x 863.6 x 1041.4 mm



WWW.NELLAONLINE.COM  
HELP@NELLAONLINE.COM

LOCATIONS

148 NORFINCH DR  
NORTH YORK, ON,  
M3N 1X8  
416-740-2424

433 QUEEN ST E.  
TORONTO, ON,  
M5A 1T5  
416-847-1112

1164 ELLESMERE ROAD  
SCARBOROUGH, ON,  
M3N 1X8  
416-292-0828