

NELLA

HOT BEVERAGE EQUIPMENT

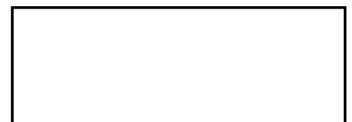
SERVING THE INDUSTRY SINCE 1952

10L HOT CHOCOLATE DISPENSER

Item #: 31840

Model: DI-CN-0010

*Elegantly designed
Hot Chocolate Dispenser*



Authorized Dealer

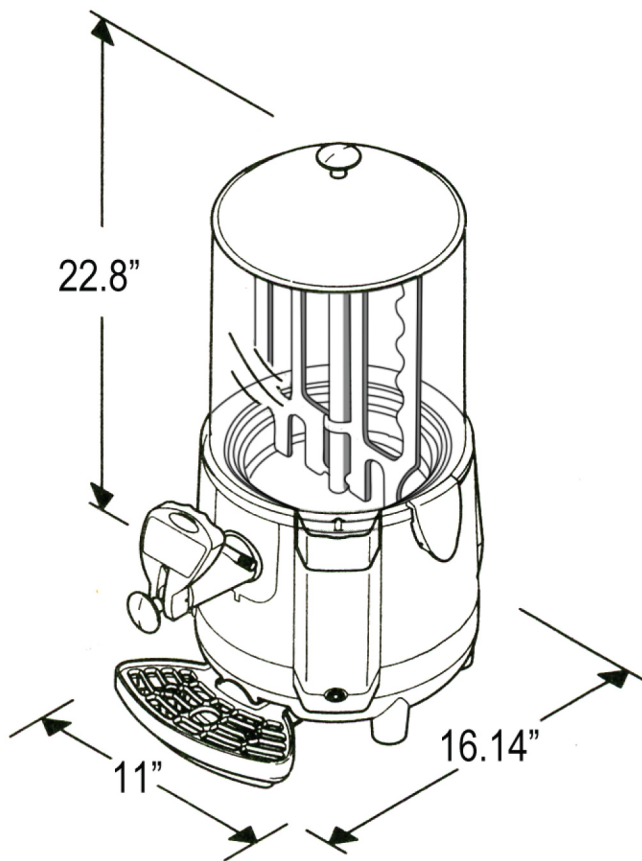
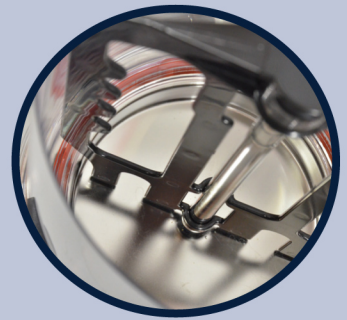
HOT BEVERAGE EQUIPMENT

10L HOT CHOCOLATE DISPENSER



NELLA

Detail Shots



Ideal for a variety of drinks like hot chocolate, coffee, milk or mulled wine.

Features:

- Bain-marie heating system with a wide controlled range of temperature +30°C to +100°.
- Thermostat for adjusting as required.
- Continuous stirring maintains a perfect, lump-free consistency.
- Special anti-clogging faucet.
- Interior lighting.
- Self-closing doors.
- Casters.
- Lock mounted.
- #304 Stainless Steel boiler with thermal protector.
- Polyurethane insulation.

PRODUCT SPECIFICATIONS

ITEM NUMBER	31480	DIMENSIONS	16.14" x 11" x 22.8"
MODEL	DI-CN-0010	PACKAGING DIMENSIONS	15" X 15" X 26"
CAPACITY	10 Litre	NET WEIGHT	16.5 lbs.
POWER	1000 Watts	PACKAGING WEIGHT	21 lbs.

NELLA

Telephone: 416-740-2424
 Email: help@nellaonline.com
 Website: www.nellaonline.com