

COUNTERTOP PIZZA OVENS - DOUBLE CHAMBER & SINGLE CHAMBER



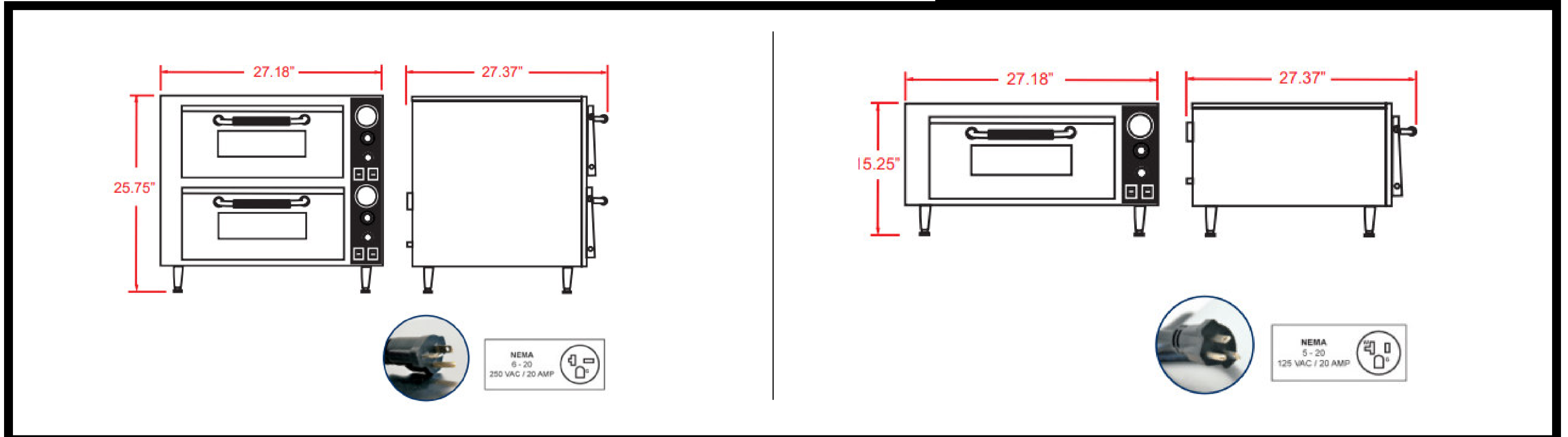
These ovens come with a removable half-inch thick ceramic pizza deck large enough to fit 18-inch pizzas or a variety of other food such as pies, breadsticks, and pretzels. The top and bottom heating elements each have a different on/off control switches for even heating. These countertop ovens also comes equipped with a manual 30-minute timer, interior light, and a viewing window. These units are also stackable and comes with 4-inch adjustable legs.

FEATURES:

- Removable ceramic pizza deck
- Manual timer
- Body is made of stainless steel
- Interior light
- Independent Controls
- Stackable with adjustable legs

COUNTERTOP PIZZA OVENS - DOUBLE CHAMBER & SINGLE CHAMBER

TECHNICAL DRAWINGS WITH DETAILED DIMENSIONS



SPECIFICATION

TYPE

DOUBLE CHAMBER PIZZA OVEN

SINGLE CHAMBER PIZZA OVEN

TEMPERATURE

350-750° F / 176.67 - 398.89° C

350-750° F / 176.67 - 398.89° C

ELECTRICAL

240V / 60 HZ

120V / 60 HZ

POWER

3200 WATTS

1800 WATTS

CHAMBER DIMENSIONS (LXDXH)

(18.11" X 18.11" X 3.93") X 2
(46 X 46 X 10 CM) X 2

18.11" X 18.11" X 3.93
46 X 46 X 10 CM

EXTERNAL DIMENSIONS (LXDXH)

27.18" X 27.37" X 25.75",
69 X 69.5 X 65.4 CM

27.18" X 27.37" X 15.25",
69 X 69.5 X 38.7 CM

PACKAGING DIMENSIONS (LXDXH)

34" X 33" X 32",
86 X 84 X 81 CM

34" X 33" X 19.5",
86 X 84 X 49.5 CM

WEIGHT

NET WEIGHT: 73 KG / 160 LBS.
GROSS WEIGHT: 90 KG / 198 LBS.

NET WEIGHT: 40 KG / 88 LBS.
GROSS WEIGHT: 62 KG / 136.4 LBS.

NELLA

WWW.NELLAONLINE.COM
HELP@NELLAONLINE.COM

LOCATIONS

148 NORFINCH DR
NORTH YORK, ON,
M3N 1X8
416-740-2424

433 QUEEN ST E.
TORONTO, ON,
M5A 1T5
416-847-1112

1164 ELLESMERE ROAD
SCARBOROUGH, ON,
M3N 1X8
416-292-0828