

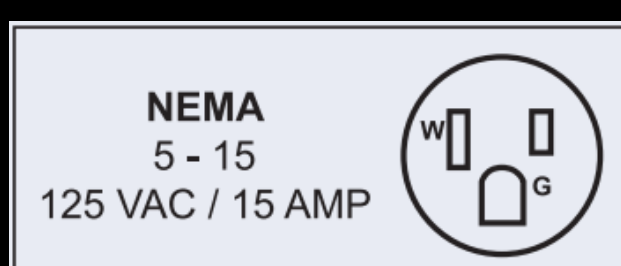
COUNTERTOP CERAMIC FOOD WARMER

**KEEP YOUR FRIED FOOD HOT AND DELICIOUS
WHILE WAITING FOR IT TO BE SERVED**



Nella's countertop ceramic food warmer is designed to keep food warm while waiting for it to be served. Simply switch the unit on and the element will start heating up, and provide consistent heating.

■ **GREAT FOR BUFFETS, CAFETERIAS, AND RESTAURANTS**



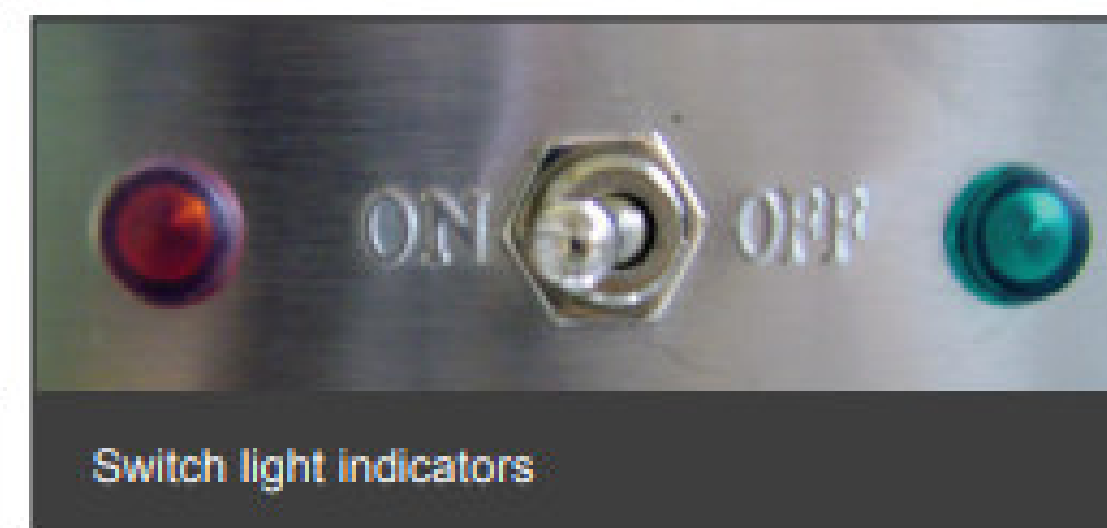
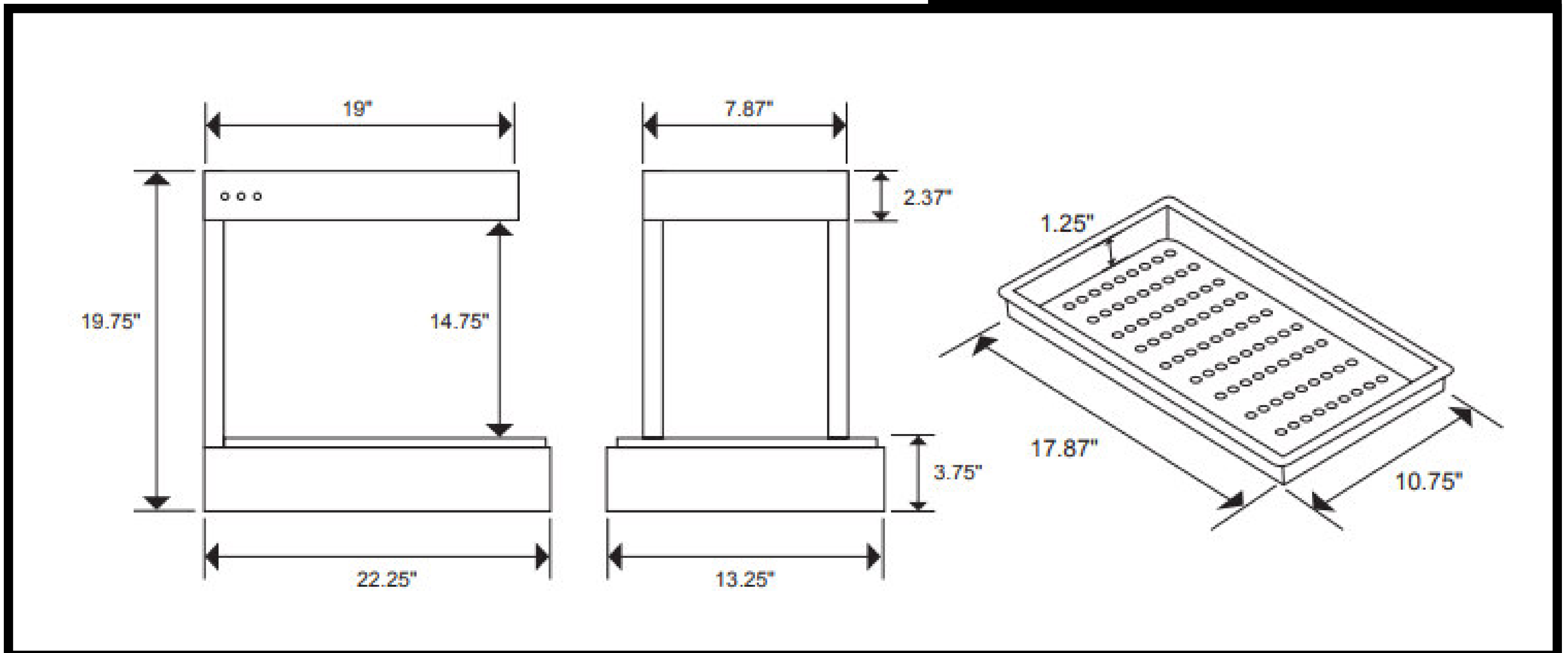
COUNTERTOP CERAMIC FOOD WARMER

SPECIFICATION

DESCRIPTION	COUNTERTOP FOOD WARMER
POWER	0.85 KW
BASE TO BULB	14.75" / 374.65 MM
ELECTRICAL	120V / 60HZ / 1PH
WEIGHT	18 LBS. / 8.16 KG.
PACKAGING WEIGHT	26 LBS. / 11.79 KG.
DIMENSIONS (DWH)	22.25" X 13.25" X 19.75"
PACKAGING DIMENSIONS	24" X 15" X 24"



TECHNICAL DRAWINGS WITH DETAILED DIMENSIONS



NELLA

WWW.NELLAONLINE.COM
HELP@NELLAONLINE.COM

LOCATIONS

148 NORFINCH DR
NORTH YORK, ON,
M3N 1X8
416-740-2424

433 QUEEN ST E.
TORONTO, ON,
M5A 1T5
416-847-1112

1164 ELLESMERE ROAD
SCARBOROUGH, ON,
M3N 1X8
416-292-0828