



**FOOD EQUIPMENT**

SERVING THE INDUSTRY SINCE 1952

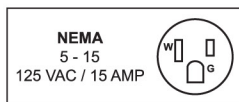
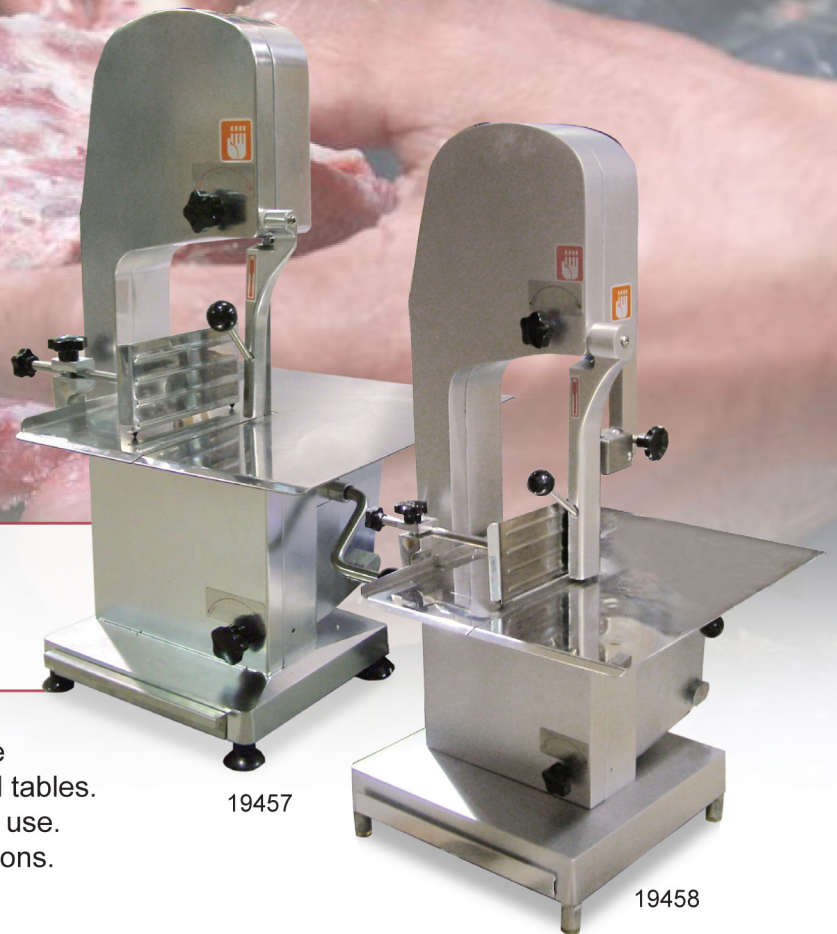
# TABLETOP ECONOMY SERIES BAND SAWS

ITEM: 19457 MODEL: BS-CN-1651 | ITEM: 19458 MODEL: BS-CN-2000



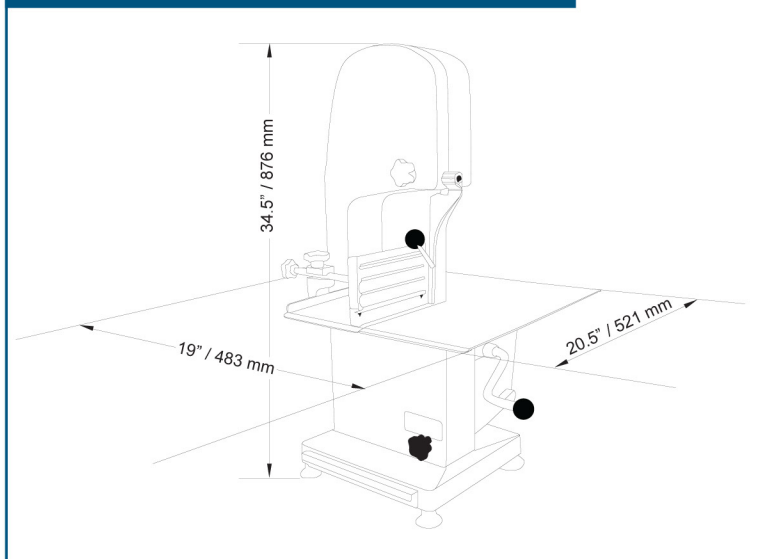
**CUT SLABS OF MEAT  
QUICKLY, EASILY, AND PRECISELY**

Omcan's Tabletop Economy Series Band Saws are manufactured in cast aluminum with stainless steel tables. These units offer fine cutting accuracy and ease of use. These saws are ideal for small to medium applications.



Authorized Dealer

**TECHNICAL DRAWING AND DIMENSIONS**

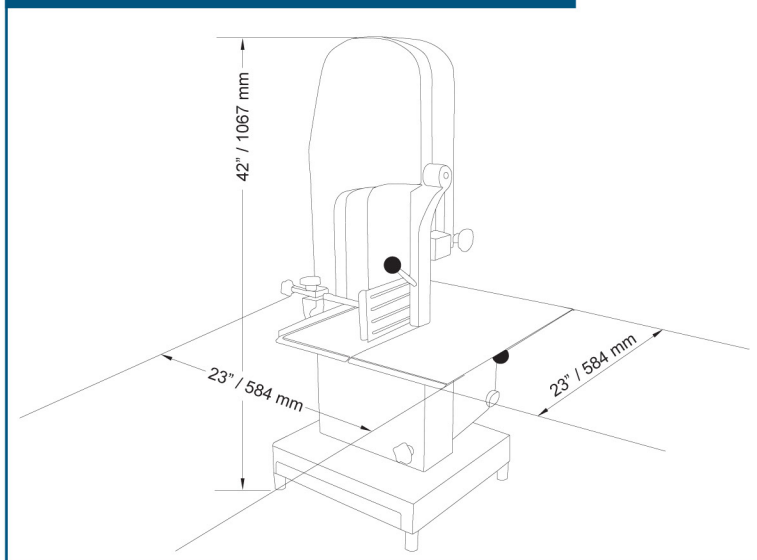


**0.87 HP ECONOMY BAND SAW  
WITH 65" BLADE LENGTH**

**TECHNICAL SPECIFICATION**

ITEM NUMBER	19457
MODEL	BS-CN-1651
BLADE LENGTH	65" / 1651 mm
CUTTING CAPACITY (H*W)	6.75" x 8.25" 171 mm x 210 mm
POWER	0.87 / 0.65 kW
ROTATION SPEED	1420 per minute
ELECTRICAL	110V / 60Hz / 1Ph
PACKAGING WEIGHT	97 lbs. / 44 kg.
DIMENSIONS (DWH)	19" x 20.5" x 34.5" 483 x 521 x 876 mm
PACKAGING DIMENSIONS	23" x 22" x 36" 584 x 559 x 876 mm

**TECHNICAL DRAWING AND DIMENSIONS**



**1 1/2 HP ECONOMY BAND SAW  
WITH 78 3/4" BLADE LENGTH**

**TECHNICAL SPECIFICATION**

ITEM NUMBER	19458
MODEL	BS-CN-2000
BLADE LENGTH	78.75" / 2000 mm
CUTTING CAPACITY (H*W)	7.5" x 12" 191 x 305 mm
POWER	1.5 / 1.12 kW
ROTATION SPEED	1420 per minute
ELECTRICAL	110V / 60Hz / 1Ph
PACKAGING WEIGHT	184 lbs. / 83 kg.
DIMENSIONS (DWH)	26" x 25" x 45" 660 x 635 x 1143 mm
PACKAGING DIMENSIONS	25" x 25" x 44" 635 x 635 x 1118 mm

