

NELLA

Serving Canada Since 1951

FOOD EQUIPMENT

ELECTRIC TOMATO SQUEEZERS

Serial No.:452221981890100
Model No.:100-416187



Serial No.:452922681890200
Model No.:100-486257

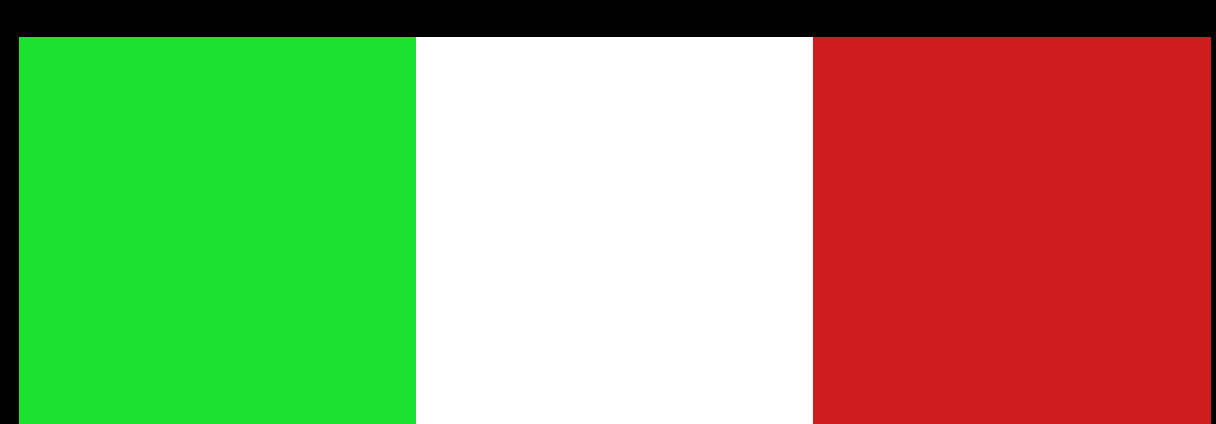


Serial No.:453443201890300
Model No.:100-538309



SQUEEZE TOMATOES THE MOST EFFICIENT WAY

Nella's electric tomato squeezers enable extraction of large quantities of tomato puree, separating it from seeds and skin.



MADE IN ITALY



NEMA
5 - 15R
125 VAC / 15 AMP
RECEPTACLE



**1 YEAR
WARRANTY**
PARTS AND LABOUR

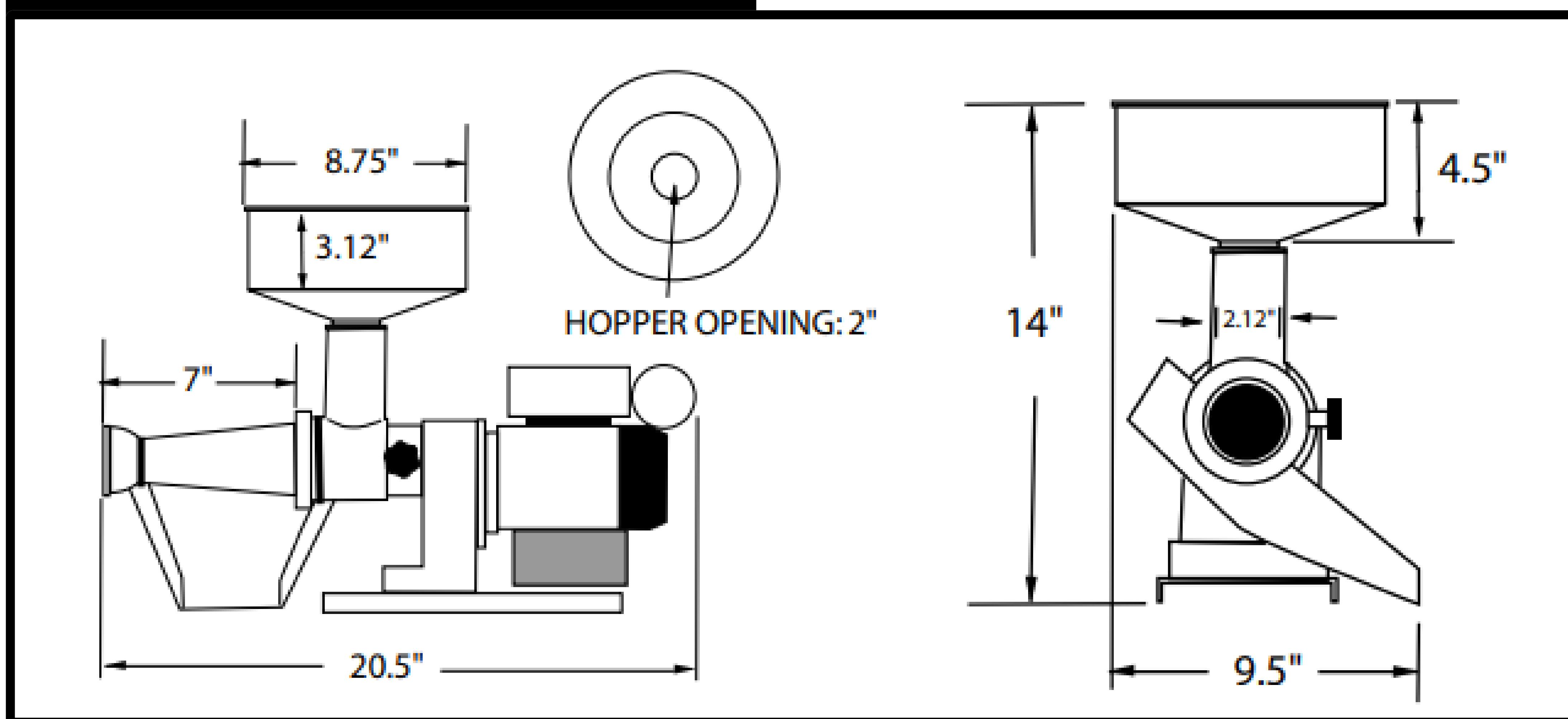
NELLA

Serving Canada Since 1951

FOOD EQUIPMENT

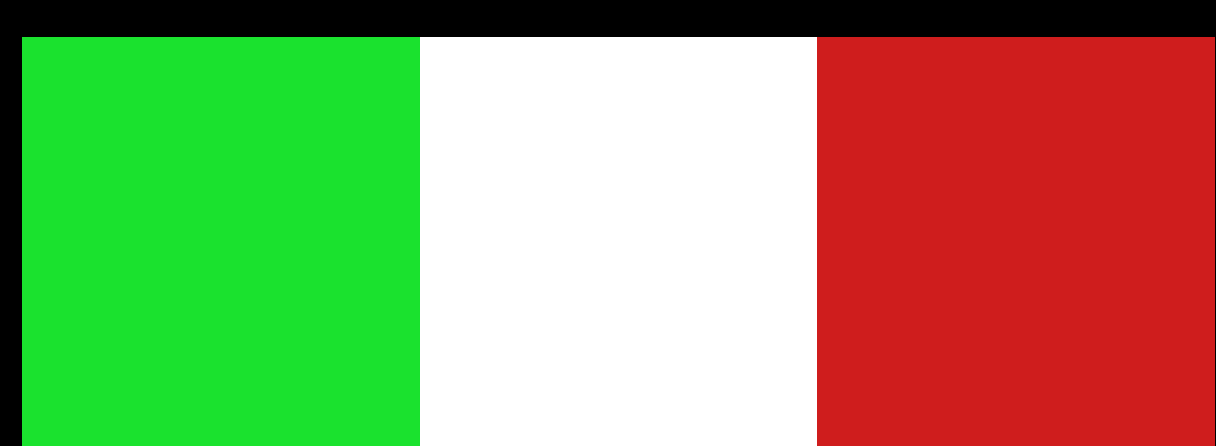
Serial No.:452221981890100

Model No.:100-416187

NELLA 0.30 HP ELECTRIC TOMATO SQUEEZER**Technical Drawing****Features**

- 0.30 Horsepower
- Worm and body is resin with double hot tinning
- Filter cone, funnel, and drip pan are entirely made of 18/10 stainless steel

| | |
|-----------------------------|---|
| DESCRIPTION | Electric |
| POWER | 0.30 HP / 0.22 kW |
| WORM RPM | 110 |
| ELECTRICAL | 115V/60Hz/1Ph |
| WEIGHT | 20 lbs. / 9 kg. |
| PACKAGING WEIGHT | 21 lbs. / 10 kg. |
| DIMENSIONS (DWH) | 20.5" x 9.5" x 14" / 521 x 241 x 356 mm |
| PACKAGING DIMENSIONS | 16" x 9" x 11" / 406 x 229 x 279 mm |

**MADE IN ITALY**

NEMA
5 - 15R
125 VAC / 15 AMP
RECEPTACLE

**1 YEAR**

1 YEAR
WARRANTY
PARTS AND LABOUR

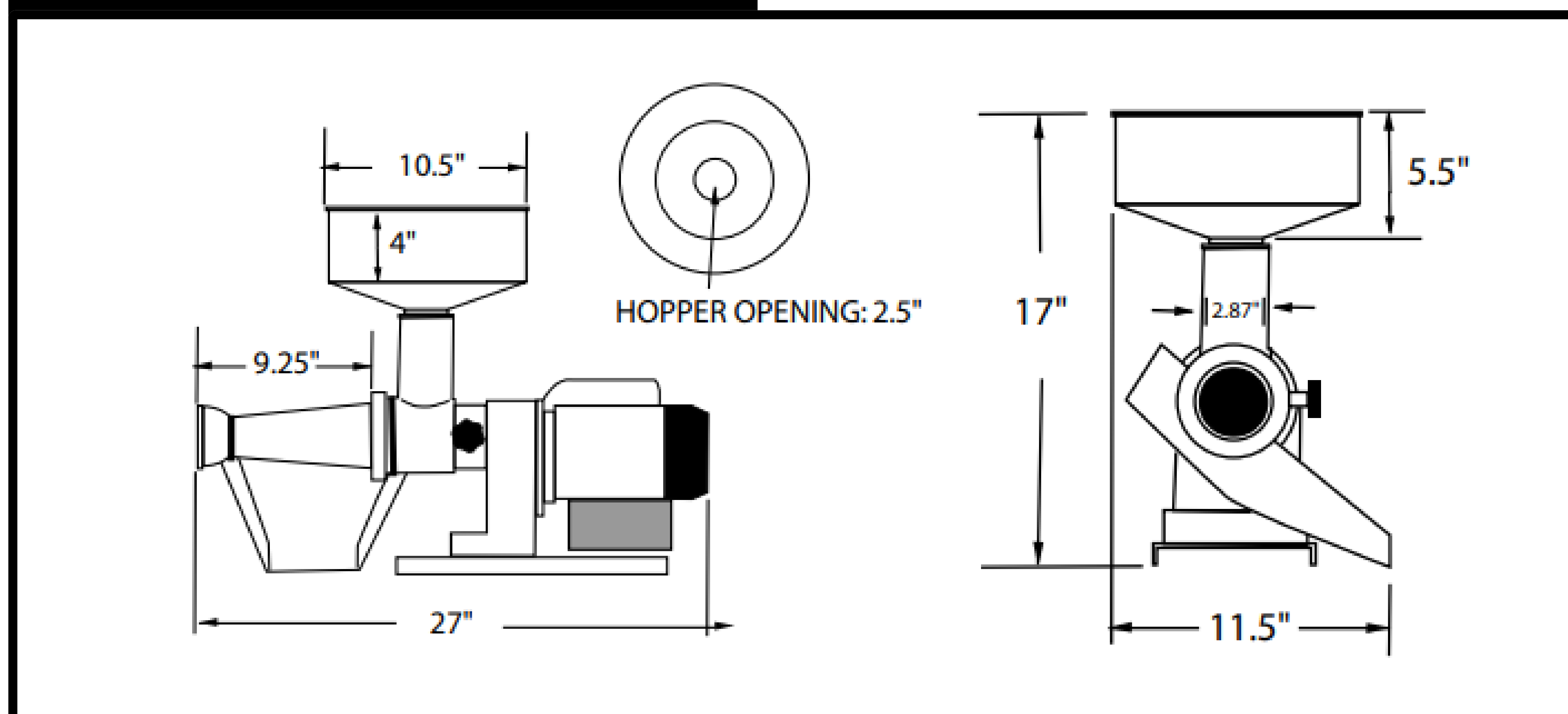
NELLA

Serving Canada Since 1951

FOOD EQUIPMENT

Serial No.:452922681890200

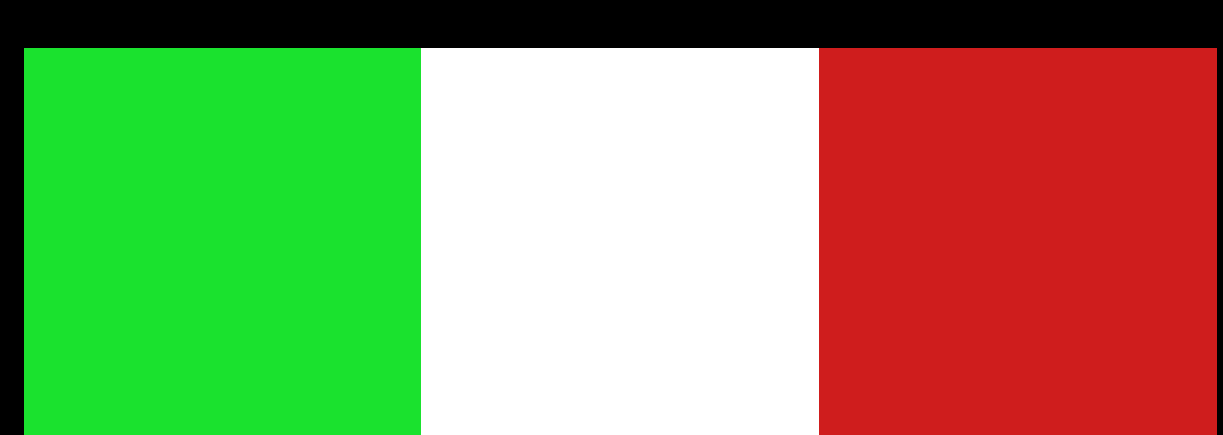
Model No.:100-486257

NELLA 0.40 HP ELECTRIC TOMATO SQUEEZER**Technical Drawing****Features**

- 0.40 Horsepower
- Worm and body is resin with double hot tinning
- Filter cone, funnel, and drip pan are entirely made of 18/10 stainless steel



| | |
|-----------------------------|---|
| DESCRIPTION | Electric |
| POWER | 0.40 HP / 0.30 kW |
| WORM RPM | 110 |
| ELECTRICAL | 115V/60Hz/1Ph |
| WEIGHT | 31 lbs. / 14 kg. |
| PACKAGING WEIGHT | 37 lbs. / 17 kg. |
| DIMENSIONS (DWH) | 27" x 12" x 13" / 686 x 305 x 330 mm |
| PACKAGING DIMENSIONS | 21" x 12" x 13" / 553 x 305 x 330 mm |

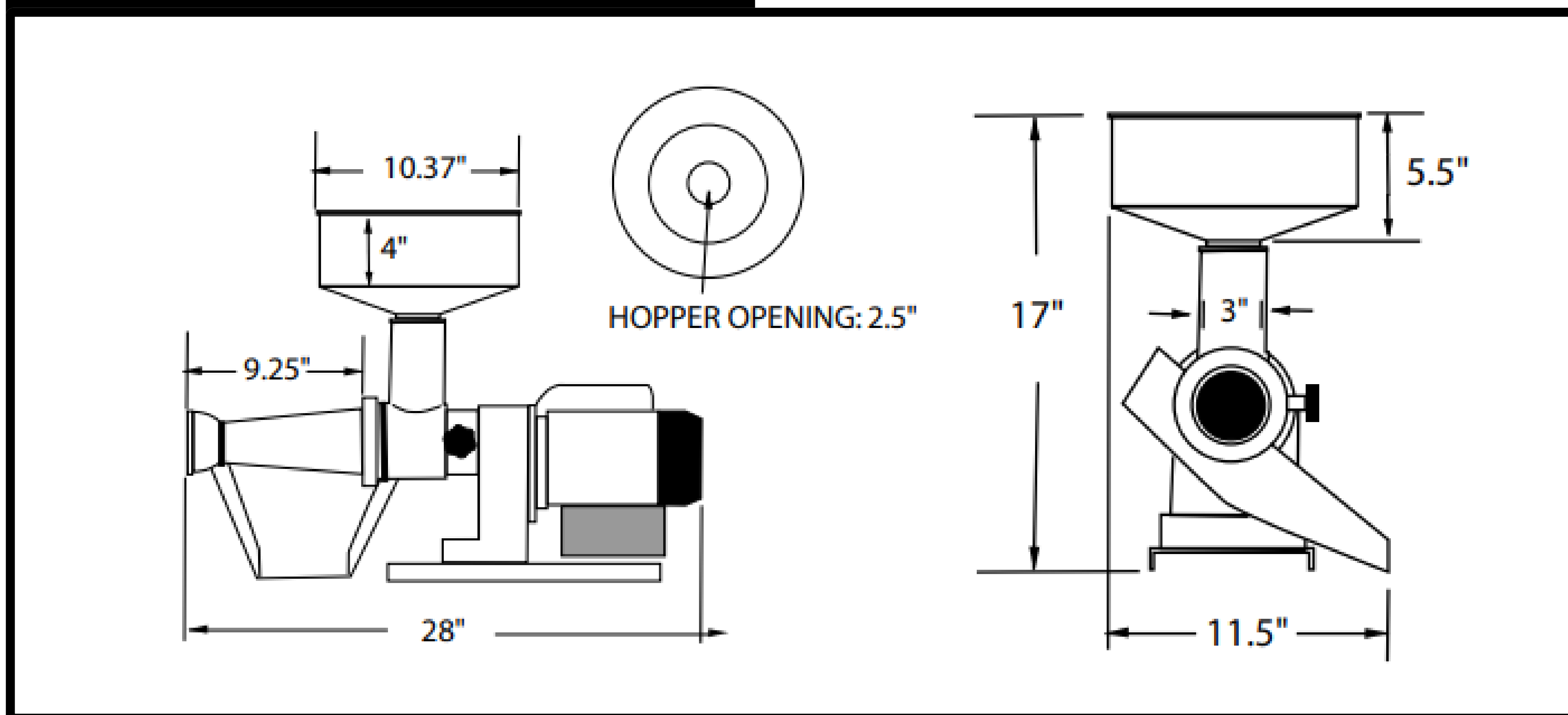
**MADE IN ITALY**

NEMA
5 - 15R
125 VAC / 15 AMP
RECEPTACLE

**1 YEAR****1 YEAR
WARRANTY**
PARTS AND LABOUR

NELLA 0.80 HP HEAVY DUTY ELECTRIC TOMATO SQUEEZER

Technical Drawing



Features

- 0.80 Horsepower
- Worm and body is resin with double hot tinning
- Filter cone, funnel, and drip pan are entirely made of 18/10 stainless steel

| | |
|----------------------|--------------------------------------|
| DESCRIPTION | Electric |
| POWER | 0.80 HP / 0.60 kW |
| WORM RPM | 110 |
| ELECTRICAL | 115V/60Hz/1Ph |
| WEIGHT | 40 lbs. / 18 kg |
| PACKAGING WEIGHT | 43 lbs. / 20 kg. |
| DIMENSIONS (DWH) | 28" x 11.5" x 17" / 711 x 292 x 432 |
| PACKAGING DIMENSIONS | 21" x 12" x 13" / 533 x 305 x 330 mm |

