



Electrolux

EMPower 2 Zone Electric Induction Top 16"

ITEM # _____

MODEL # _____

NAME # _____

SIS # _____

AIA # _____



169107 (AIZ16) EMPower Induction Top, Ele, 16"(2) 3.5kW

Short Form Specification

Item No.

EMPower unit to be Electrolux Two (2) Zone Electric Induction Top. EMPower unit to have a 6 mm thick seamless Ceran® glass cooking surface with two (2) independently controlled 3,5 kW induction zones. Control knobs provide smooth, continuous rotation from min to max power level. Power ON lamp for each zone located on the glass surface. Induction plates with overheating safety device. Full length Stainless Steel air filter removable for easy cleaning. All major components can be accessed from the front of the appliance for ease of maintenance. Worktop in AISI 304 Stainless Steel. Front and side panels in Stainless Steel with Scotch Brite finish. Special heavy duty chrome plated knobs for durability and easy cleaning. The configuration of bezels and knobs provides high level of protection against water infiltrations. Right-angled side edges to allow flush fitting joints between EMPower units. Supplied with 4" (102 mm) height adjustable, removable legs. EMPower unit may be installed on refrigerated base or open cupboard.

Main Features

- This unit can not be installed on oven base.
- 15/64 " (6mm) thick glass-ceramic cooking surface with two (2) independently controlled 3,5 kW induction zones.
- Control knobs provide smooth, continuous rotation.
- Power ON lamp for each zone located on the glass surface.
- Induction plates endowed with overheating safety device.
- Full length Stainless Steel air filter removable for easy cleaning.
- Low heat dissipation to the kitchen.
- The smooth, glass ceramic plate is not directly heated, so there is no burning on cooking surface.
- All major components can be accessed from the top and front of the appliance for ease of maintenance.
- Front and side panels in Stainless Steel with Scotch Brite finish.
- Special heavy duty chrome plated knobs for durability and easy cleaning.
- The configuration of bezels and knobs provides high level of protection against water infiltrations.
- Right-angled side edges to allow flush fitting joints between units, eliminating gaps and possible dirt traps.
- Provided with kit for side-by-side connection between units for minimizing gaps and possible dirt traps.
- Supplied with 4" (102mm) height adjustable, removable legs.
- Unit may be installed on refrigerated base by removing the legs and inserting the special pins (optional accessory).
- Unit may be installed on open cupboard by removing the legs and inserting the screws provided as standard with the open cupboards.
- In compliance with ETL Certification (UL & NSF).

Construction

- Worktop in 304 AISI stainless steel.
- 4 screws to install on the cupboard base are supplied with the unit.

Optional Accessories

- EMPower - 4 pins to fix top to refrigerated/open base PNC 169048
- EMPower back mounted rear shelf-spacer, 16" unit PNC 169097
- EMPower portioning shelf 12" PNC 169173
- EMPower portioning shelf 16" PNC 169174

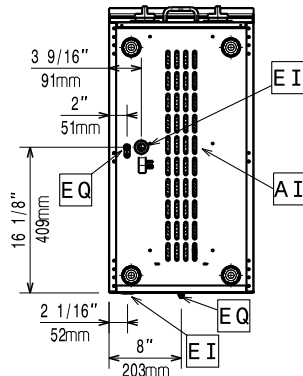
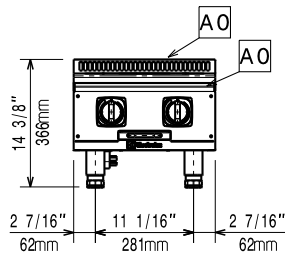


APPROVAL: _____

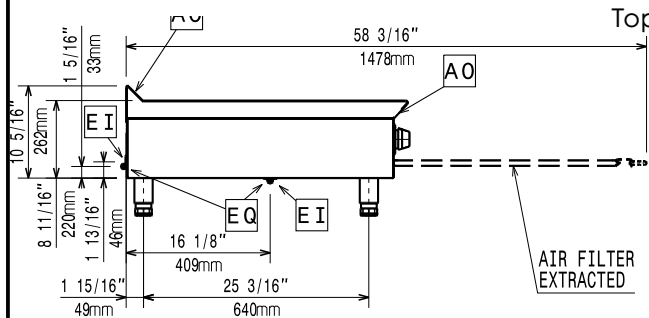


Electrolux

EMPower
2 Zone Electric Induction Top 16"

Front

Side


EI = Electrical connection
EQ = Equipotential screw

Top

Electric
Supply voltage:

169107 (AIZ16) 200-240 V/1 ph/60 Hz

Rated amps: 30 A

Electrical power, max: 7 kW

Total Watts: 7 kW

Key Information:

Front Plates Power: 3.5 - 0 kW (11931.5 - Btu/hr)

Back Plates Power: 3.5 - 0 kW (11931.5 - Btu/hr)

Back Plates Power:
Induction Top Dimensions (width):

16 " (406 mm)

Induction Top Dimensions (depth):

31 1/2" (800 mm)

External dimensions, Width:

16 " (406 mm)

External dimensions, Depth:

31 1/2" (800 mm)

External dimensions, Height:

14 5/8" (372 mm)

Net weight:

66 lbs (30 kg)

Shipping width:

18 1/8" (460 mm)

Shipping depth:

35 13/16" (910 mm)

Shipping height:

20 7/8" (530 mm)

Shipping weight:

88 lbs (40 kg)

Shipping volume:

7.83 ft³ (0.22 m³)