



Brewing Excellence

Job \_\_\_\_\_ Item No. \_\_\_\_\_

# Filterflow Automatic Water Boiler

□ 1228



**MODEL 1228**

Manufactured to the highest standards, Bloomfield automatic water dispenser combines style, function, reliability and value for money with a pioneering new development in water boiler filtration. A water filter is essential, not only in hard water areas to reduce problematic scale build-up, but also to remove impurities that can leave an unpleasant taste. Until now, these filters have always been plumbed in as a separate unit. This is unattractive and adds cost. FilterFlow is ingeniously different. It revolutionizes water boiler design by incorporating the filter cartridge within the boiler casing.

## FEATURES

- Electric automatic water dispenser
- Electronic control system
- Standby mode
- LCD information panel
- Supplied with removable drop tray and water feed hose
- Built-in filtration cartridge
- Adjustable temperature (158°F – 205°F )
- Advanced diagnostics
- Non-drip tap

## ACCESSORIES

- First filter cartridge
- Drip tray
- Water feed hose

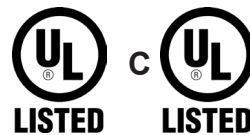
## OPTIONAL ACCESSORIES

- Wall mounting kit
- Replacement filter cartridge

## PRODUCT WARRANTY

Limited one year parts & labor

## CERTIFICATIONS



Sheet No. 1228 - 05/15

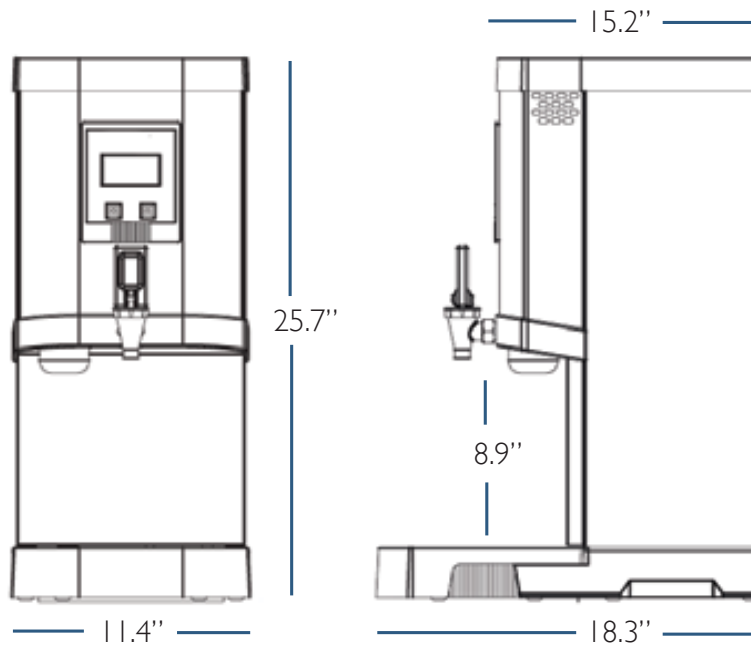


Bloomfield · 10 Sunnen Dr. St. Louis, MO 63143 U.S.A.  
Phone : (314) 678-6336 · Fax (314) 781-3636  
www.bloomfieldworldwide.com · Printed in the U.S.A.

NOTE: Specifications are subject to change without notice and are not intended for installation purposes. See installation instructions prior to installing the unit.



Brewing Excellence



Model Number	Description	W x D x H (in)	Voltage	Watts	AMPS	Ship Wt. (lbs)
1228DLX-120	3 gal. digital hot water dispenser	25.7 x 11.4 x 18.3	120V	1800	15	28.7
1228DLX-240	3 gal. digital hot water dispenser <b>NEMA 6-20P</b>	25.7 x 11.4 x 18.3	208/240V	3266	28.7	28.7

## Accessories

Model Number	Description
1229	Filterflow filter cartridge



Due to periodic changes in designs, methods, procedures, policies and regulations, the specifications contained in this sheet are subject to change without notice. While Wells exercises good faith efforts to provide information that is accurate, we are not responsible for errors or omissions in information provided or conclusions reached as a result of using the specifications. By using the information provided, the user assumes all risks in connection with such use.



Bloomfield · 10 Sunnen Dr. St. Louis, MO 63143 U.S.A.  
 Phone : (314) 678-6336 · Fax (314) 781-3636  
[www.bloomfieldworldwide.com](http://www.bloomfieldworldwide.com) · Printed in the U.S.A.

NOTE: Specifications are subject to change without notice and are not intended for installation purposes. See installation instructions prior to installing the unit.

**A COMPANY OF THE MIDDLEBY CORPORATION**