



24-INCH OPEN REFRIGERATED DISPLAY CASE

Serving Canada Since 1951

Serial No.:457076834043800

Model No.:100-901672

Keep foods fresh and in customer-view with this high performance open refrigerated display case. It is a great addition to your establishment; providing convenience for customers to easily access merchandise. Ideal for cafes, restaurants, supermarkets and convenience stores. Use it to display dairy products, vegetables, fruits and drinks.

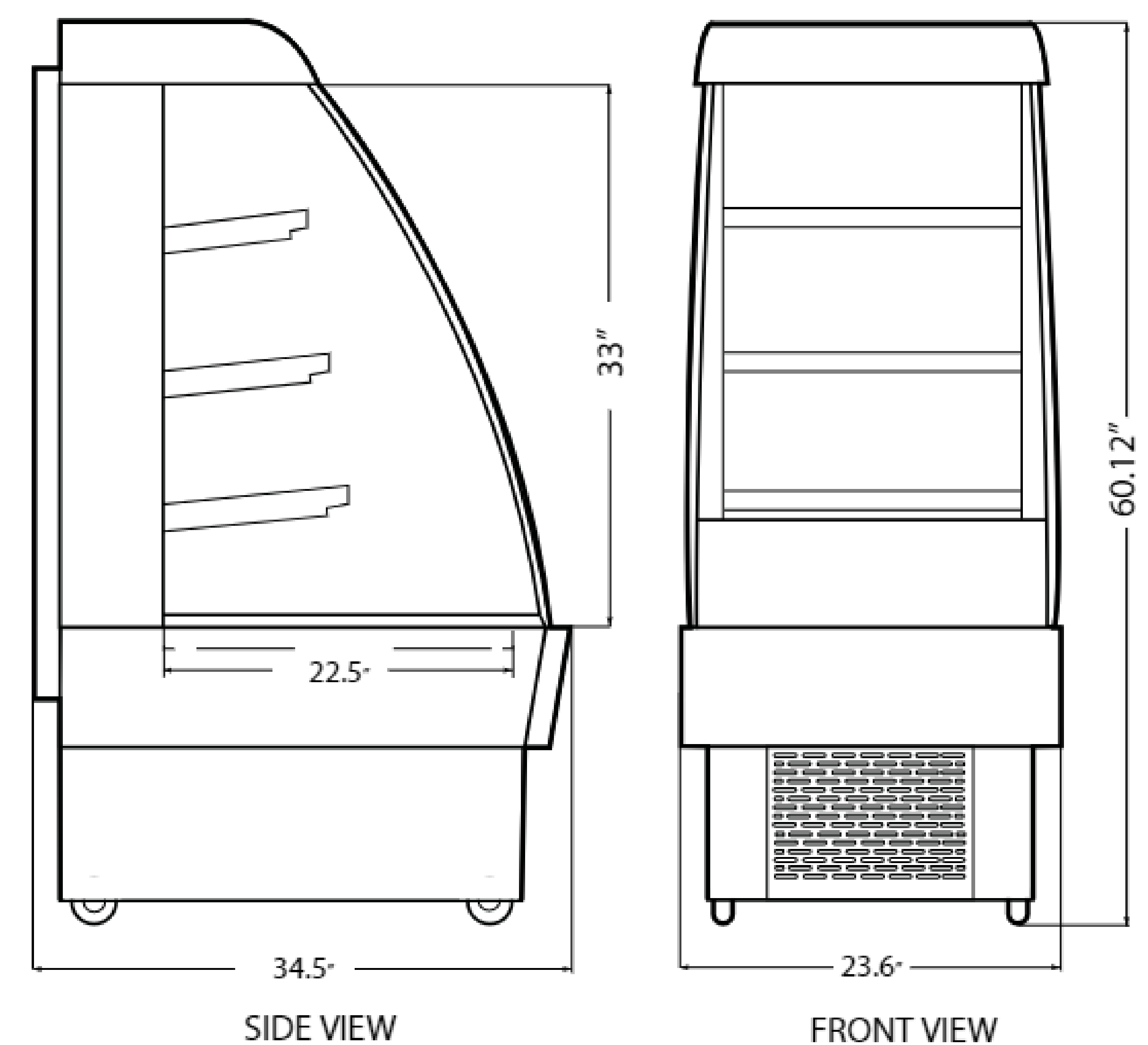
Features:

- LED lighting
- Pull down curtain
- Adjustable shelf position
- Digital temperature controls
- Casters



POWER	1.045 kW
NET VOLUME	230 L / 8.12 cu. ft
LAMP POWER	1.44 W x 2 (LED)
TEMPERATURE RANGE	2°C - 10°C / 35.6°F - 50°F
REFRIGERANT	R290
ELECTRICAL	110V/60Hz/1Ph
TYPE OF CLIMATE	6
SHELF SIZE	10" / 12" / 14" x 19.50" 254 / 305 / 356 x 495 mm
NET WEIGHT	92 kg / 202.4 lbs
GROSS WEIGHT	102 kg / 224.4 lbs
INTERIOR DIMENSIONS	21.35" x 22.5" x 33" / 542.3 x 571.5 x 838.2 mm
NET DIMENSIONS	23.6" x 34.5" x 60.1" / 599.4 x 876.3 x 1527 mm
GROSS DIMENSIONS	26" x 38" x 63" / 660.4 x 965.2 x 1600.2 mm

TECHNICAL DRAWING WITH DIMENSIONS



Item shipped on pallet

NEMA 5-15



<https://www.nellaonline.com/products/nella-24-open-refrigerated-floor-display-case-8-12-cu-ft>



1 YEAR
WARRANTY
PARTS AND LABOUR



LOCATIONS

**148 NORFINCH DR
NORTH YORK, ON
M3N 1X8
416-740-2424**

**433 QUEEN ST E.
TORONTO, ON
M5A 1T5
416-847-1112**

WWW.NELLAONLINE.COM
HELP@NELLAONLINE.COM

**1164 ELLESMERE ROAD
SCARBOROUGH, ON
M1P 2X4
416-292-0828**