

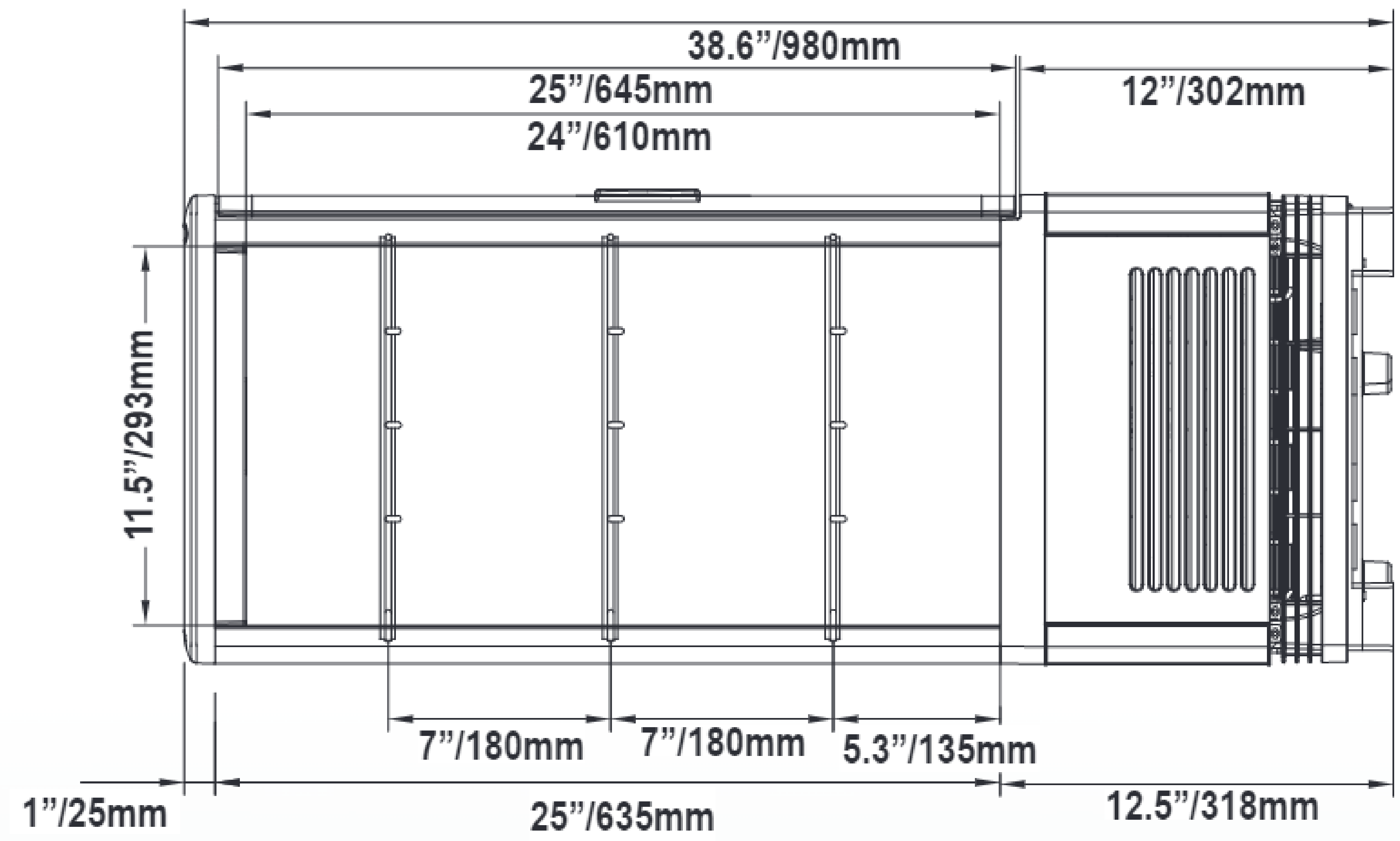
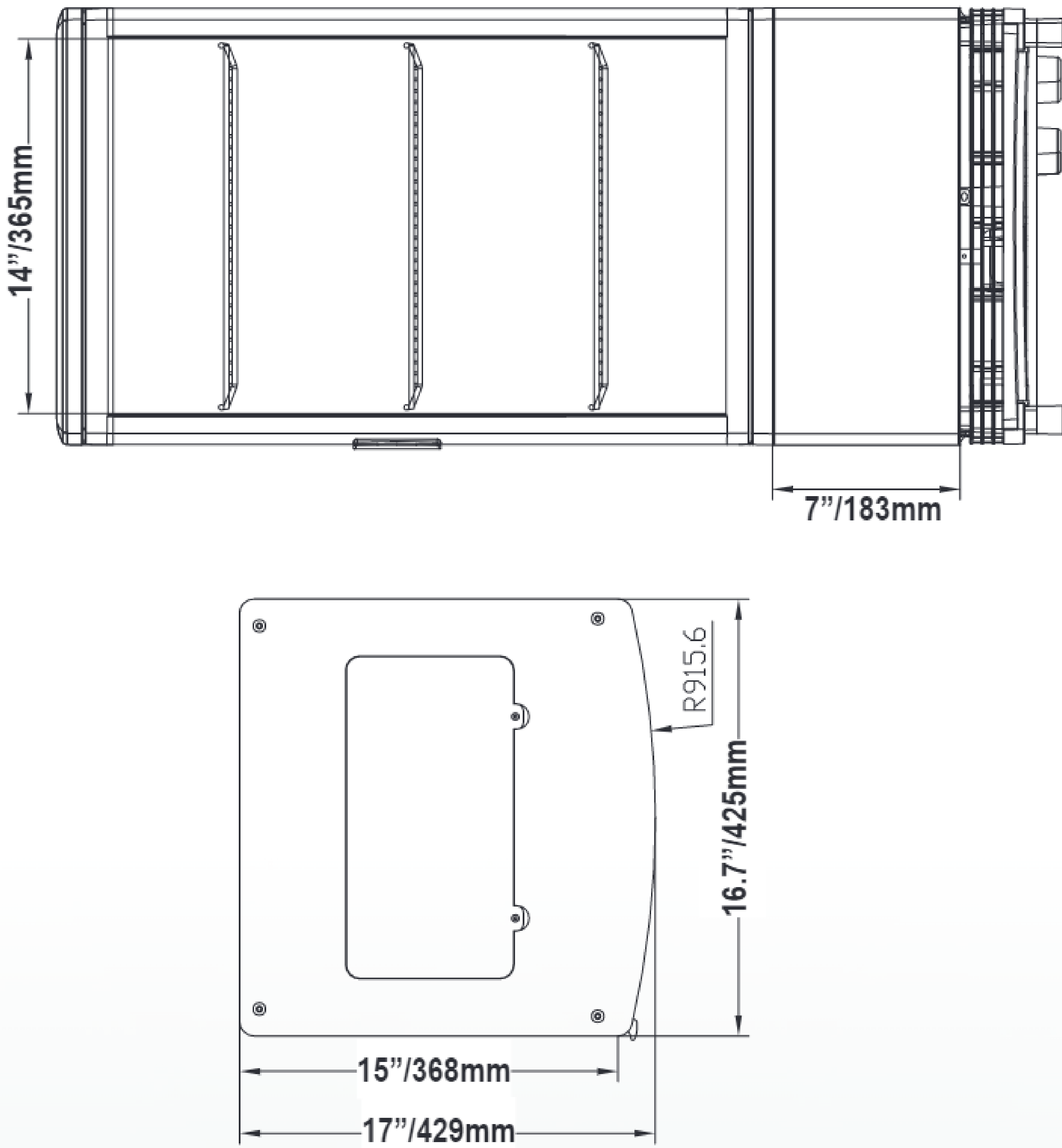
## 17" COUNTERTOP FOUR SIDED GLASS REFRIGERATED SHOWCASE



Ideal for restaurants, cafes, and bakeries, Nella's 17-inch countertop four-sided glass refrigerated displays are the perfect way to showcase your products. Featuring their crystal clear glass design, these refrigerated showcases have internal LED lighting, digital temperature controls, and adjustable shelf positions to make sure your products look their best.

<https://www.nellaonline.com/products/nella-17-countertop-four-sided-glass-refrigerated-showcase>

## TECHNICAL DRAWING AND DIMENSIONS



## FEATURES

- Eye-catching internal LED lighting
- Attractive black exterior
- Digital temperature controller
- Two door access
- Four-sided glass
- Features 3 adjustable wire shelves for better organization of products



# 1 YEAR

## WARRANTY

PARTS AND LABOUR

## TECHNICAL SPECIFICATIONS

POWER	190 W
CAPACITY	86 L / 3.0 cu. ft.
REFRIGERANT	R290
TEMPERATURE RANGE	0° - 12°C / 32° - 53.5°F
ELECTRICAL	110V / 60Hz / 1Ph
NET DIMENSIONS (DWH)	17" x 16.7" x 38.6" / 429 x 425 x 980 mm
PACKAGING DIMENSIONS (DWH)	19" x 19" x 41" / 482 x 482 x 1041 mm
NET WEIGHT	80 lb. / 36 kg.
GROSS WEIGHT	86 lb. / 39 kg.
RECEPTACLE	NEMA 5-15   125 VAC/15 AMP