



# 60" CHEST FREEZER WITH SOLID FLAT TOP - 15.3 CU.FT

Serving Canada Since 1951

Serial No.:453673434650400

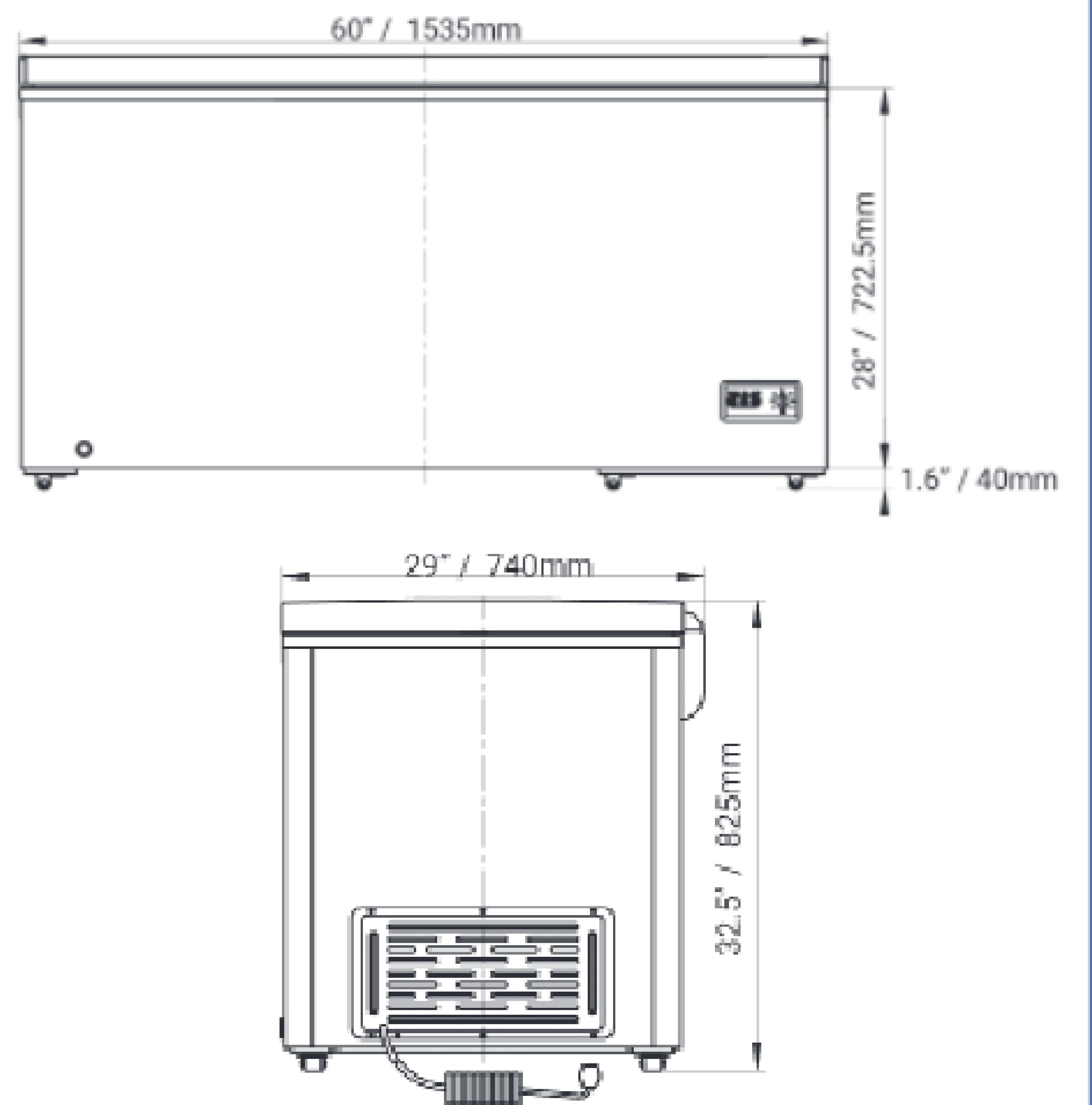
Model No.:100-561332

Looking for a spacious unit to keep your frozen products in proper food storage temperature? Look no further than this 60-inch chest freezer with solid flat top and 15.3 cu ft capacity. This freezer is designed to merchandise and provide increased sales of frozen novelties and seasonal specialties. Its hinged lid design enables it to stay open while consumers are loading/taking out items without having to hold it up for hours. The interior walls are made of aluminum, which makes cleaning any spills or leaks a breeze, while the door is foam-filled for efficient temperature preservation. This freezer is perfect for convenience stores, ice cream shops, supermarkets and restaurants who want to maximize their storage and merchandising space for frozen products.



POWER	1/3+ HP
FREEZER CAPACITY	15.3 cu. ft.
TEMPERATURE RANGE	-22°C to -15°C / -8°F to 5°F
REFRIGERANT	R290
ELECTRICAL	110V / 60Hz
NET WEIGHT	141 lbs. / 64 kg.
GROSS WEIGHT	165 lbs. / 75 kg.
NET DIMENSIONS	29" x 60" x 32.5" / 736.6 x 1524 x 825.5 mm
GROSS DIMENSIONS	30" x 62" x 34" / 762 x 1574.8 x 863.6 mm

### TECHNICAL DRAWING WITH DIMENSIONS



Item shipped on pallet

NEMA 5-15



<https://www.nellaonline.com/products/nella-60-chest-freezer-with-solid-flat-top-46504>