

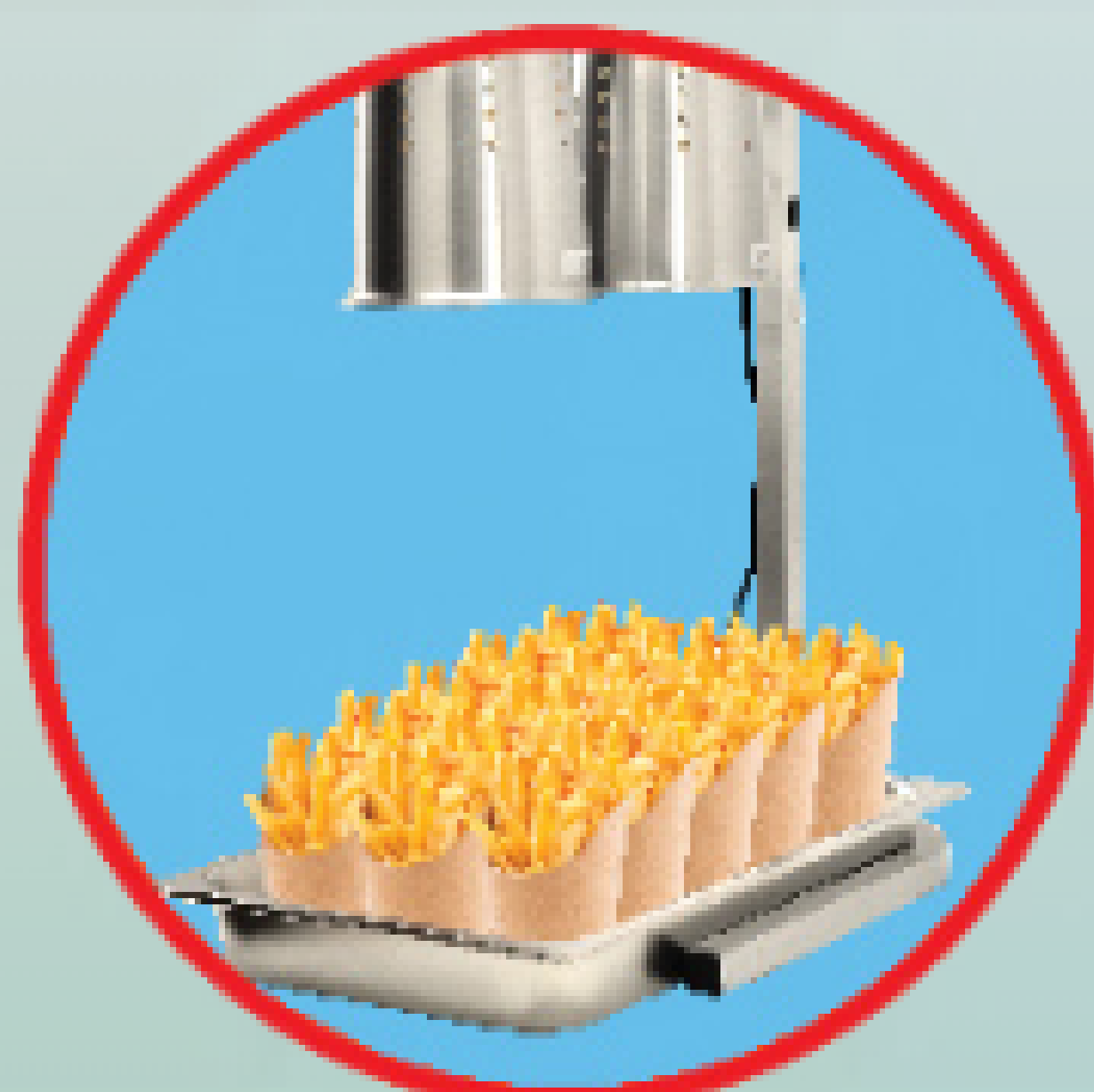
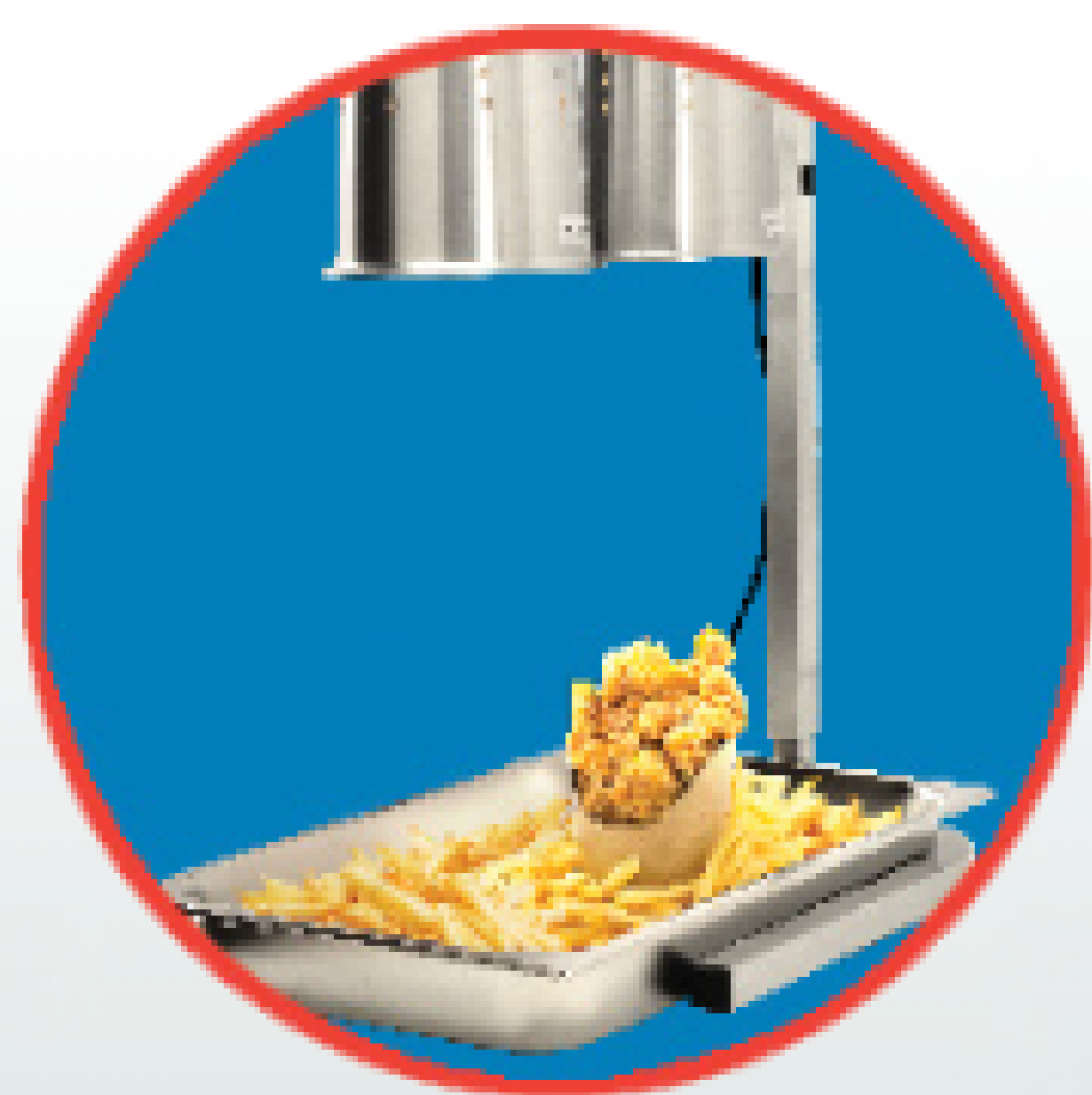
NELLA

Serving Canada Since 1951

WWW.NELLAONLINE.COM

Serial No.:4588642163700
Model No.:100-282053

HEAT LAMP WITH 250-WATT BULBS



Great for fast food restaurants, snack bars, catering, concession stands and buffets. Perfect for keeping potato wedges, french fries, chicken or onion rings warm and ready to serve.



<https://www.nellaonline.com/products/nella-two-bulb-heat-lamp-21637>

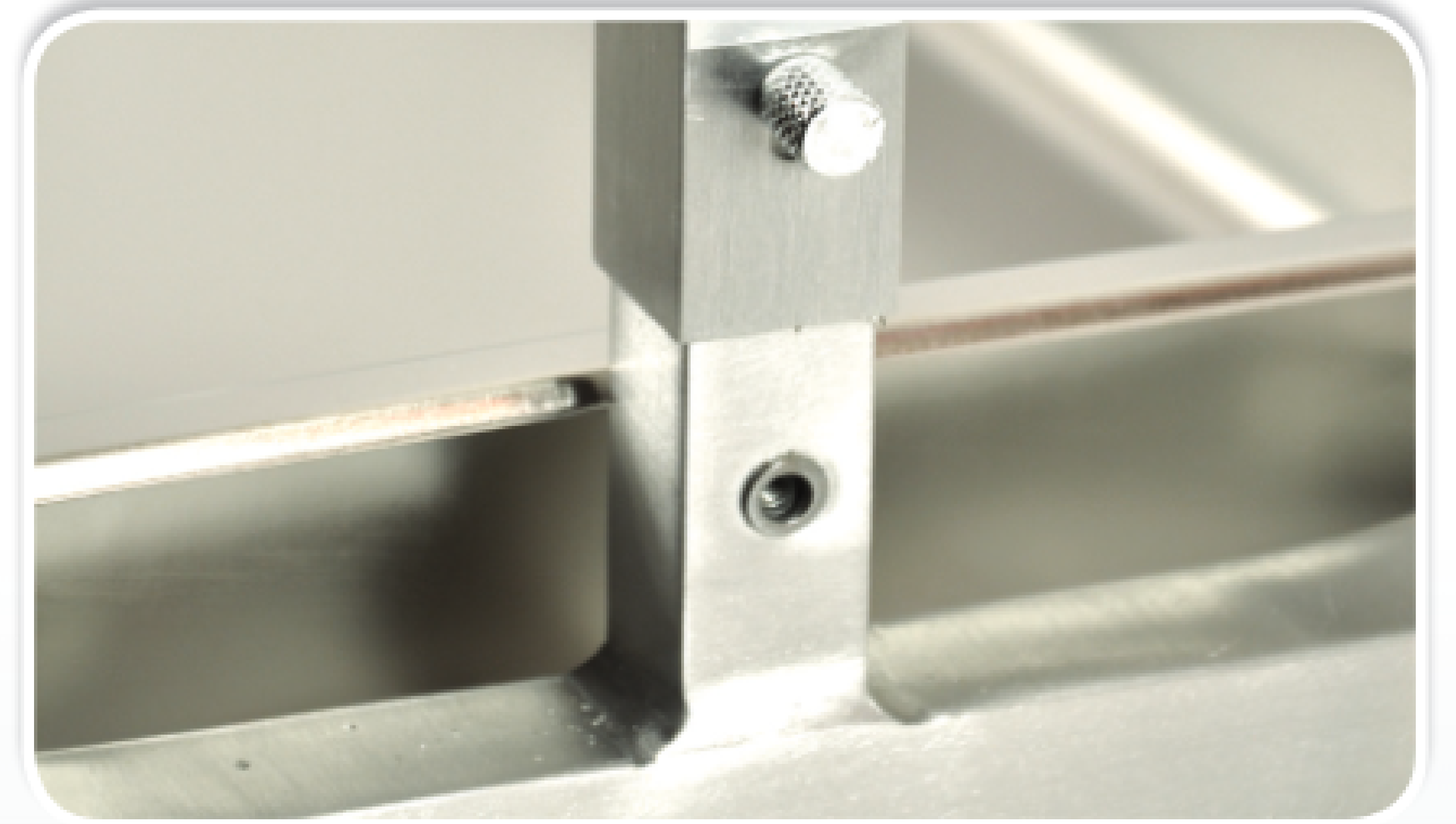
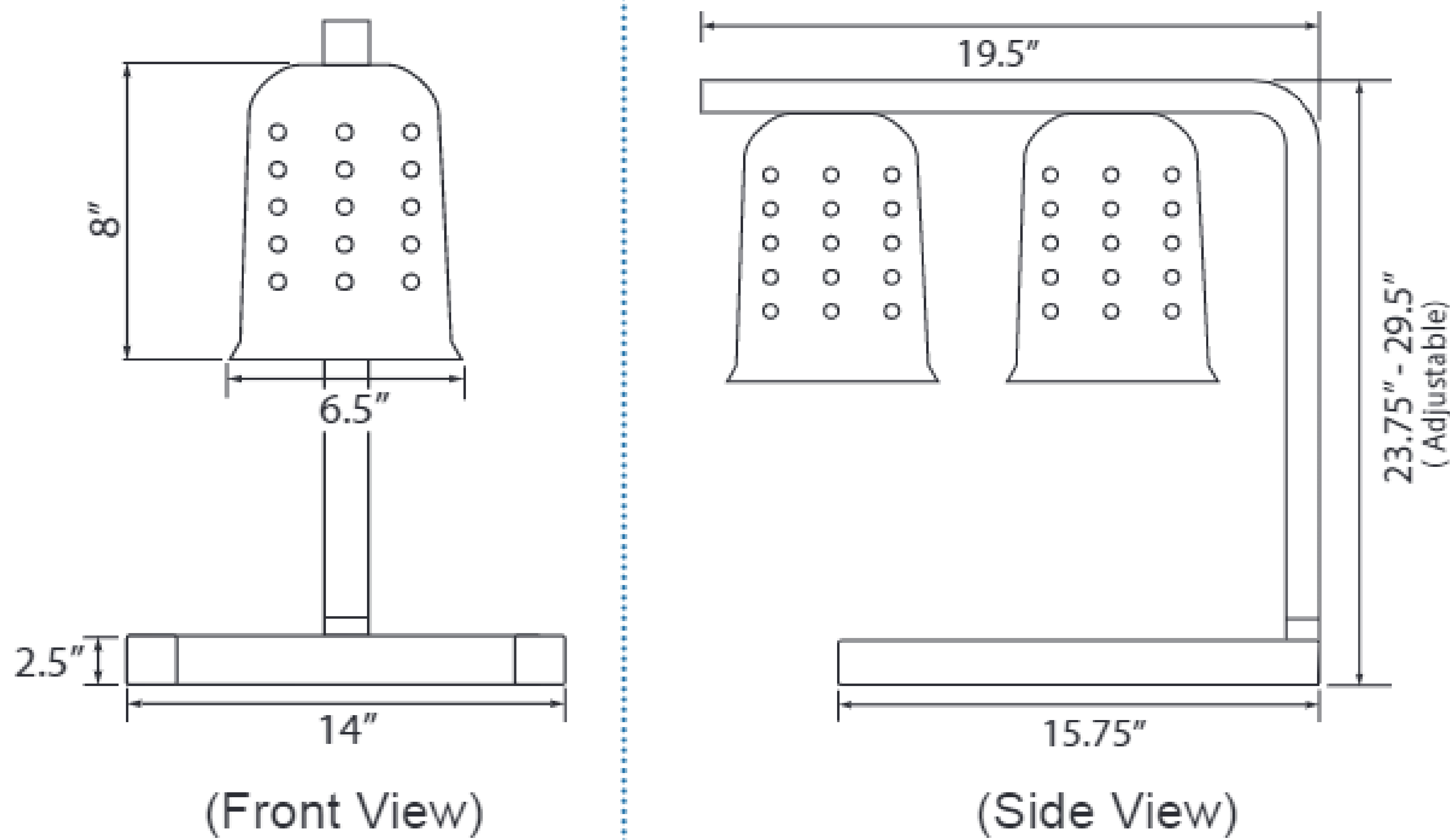
NELLA
WWW.NELLAONLINE.COM

148 NORFINCH DR
NORTH YORK, ON
M3N 1X8
416-740-2424

433 QUEEN ST E.
TORONTO, ON
M5A 1T5
416-847-1112

1164 ELLESMERE ROAD
SCARBOROUGH, ON
M1P 2X4
416-292-0828

TECHNICAL DRAWING AND DIMENSIONS



FEATURES

- Ventilated aluminum reflectors
- Heat lamps warm the tray within 5 minutes of turning them on
- Equipped with durable infrared bulbs

TECHNICAL SPECIFICATIONS

POWER	500 W (2x250 W)
ELECTRICAL	110V / 60Hz
LENGTH OF CORD	65"
BASE TO BULB (DEFAULT HEIGHT / MAX HEIGHT)	15" / 21"
DIMENSIONS (DWH)	19.5" x 14" x 23.75"
PACKAGING DIMENSIONS	22" x 16" x 11"
WEIGHT	6 lbs
PACKAGING WEIGHT	10 lbs

