

Serving Canada Since 1951

Serial No.:458107864051900
Model No.:100-1004775

Showcase your desserts and small foods with this standing display refrigerator. Its brilliant LED illumination will make your foods pop with color as well as increase product visibility for your customers. The ventilated cooling system ensures that your products remain fresh and free of spoilage during long hours. Ideal for bakeries.

Features:

- Brilliant internal LED illumination under each sleeve
- Digital temperature controller and display
- Ventilated cooling system
- Adjustable chrome plated shelves
- Automatic defrost



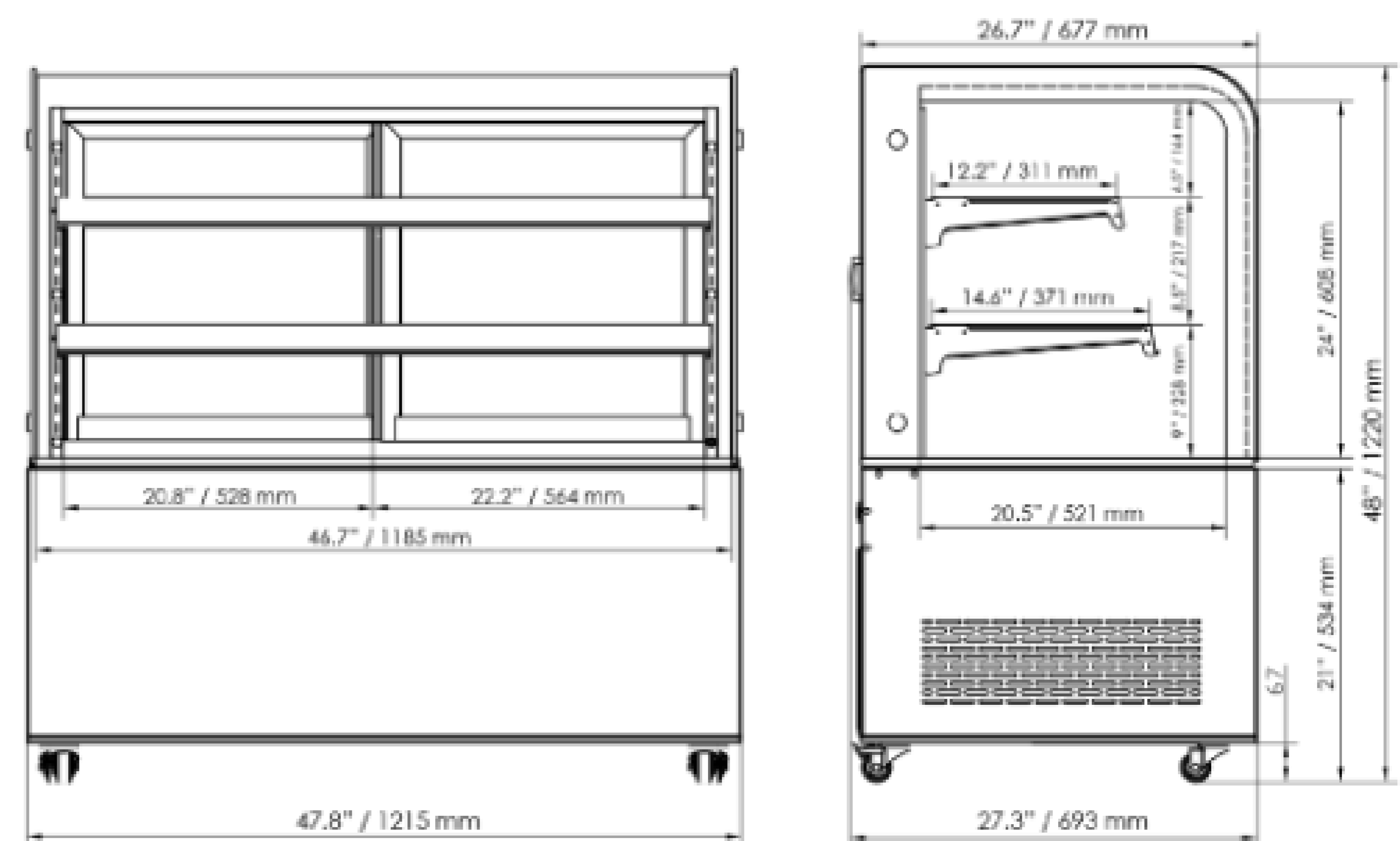
CAPACITY	370L / 13 cu.ft.
TEMPERATURE	2-8°C / 35.6-46.4°F
POWER	4500 W
REFRIGERANT	R134a (280g)
ELECTRICAL	110V/60Hz/1Ph
SHELF SIZES	(1 pc.) 43" x 12.4" / 1100 x 315 mm (1 pc.) 43" x 14.8" / 1100 x 375 mm
SHELF LOAD CAPACITY	15 kg. / 33 lbs.
DIMENSIONS (WDH)	47.8" x 27.3" x 48" / 1215 x 693 x 1220 mm
PACKAGING DIMENSIONS	52" x 30.1" x 56.7" / 1320 x 765 x 1440 mm
WEIGHT	155 kgs. / 341.7 lbs.
PACKAGING WEIGHT	193 kgs. / 425.5 lbs.

Item shipped on pallet

NEMA 5-15



TECHNICAL DRAWING WITH DIMENSIONS



[HTTPS://WWW.NELLAONLINE.COM/PRODUCTS/NELLA-40519-REFRIGERATED-DISPLAY-CASE](https://www.nellaonline.com/products/nella-40519-refrigerated-display-case)